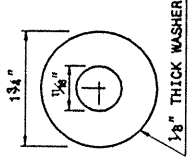
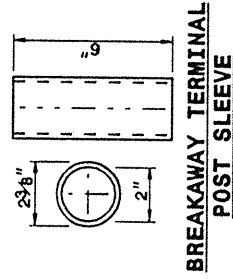


15 OCT 2004 15:55 \\server\stand\stds\02\stds to Special Details\english\862d02\862d02.dgn  
 at: 05/22/2009 10:52:25 AM

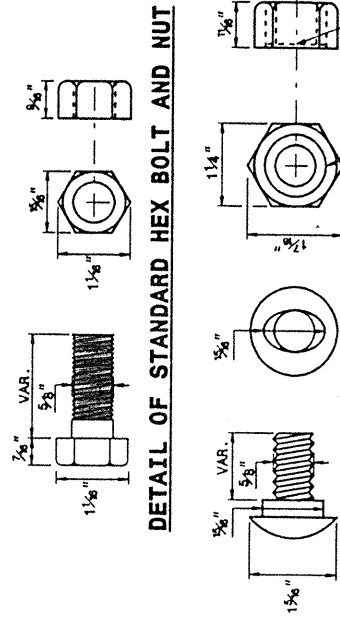
STATE OF NORTH CAROLINA  
DEPT. OF TRANSPORTATION  
DIVISION OF HIGHWAYS  
RALEIGH, N.C.

ENGLISH DETAIL DRAWING FOR  
GUARDRAIL INSTALLATION

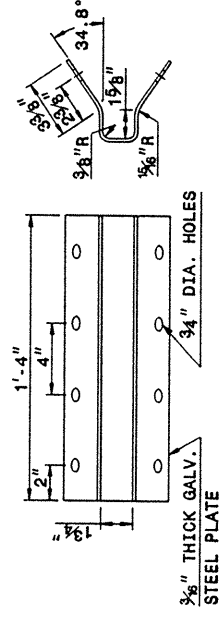
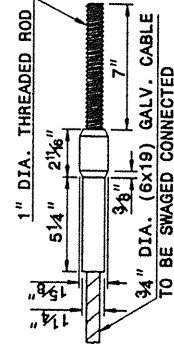
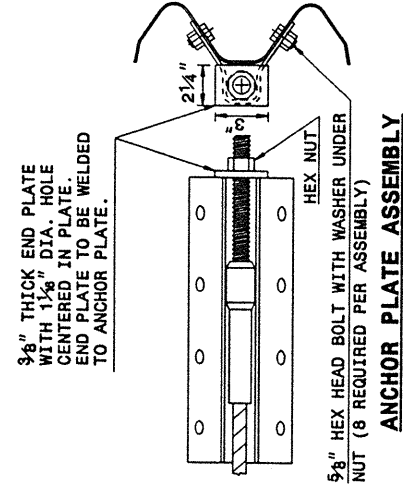
SHEET 5 OF 7  
862D02



**DETAIL OF STANDARD WASHER**  
STANDARD WASHER: TYPICAL USE UNDER NUT WITH WOOD POST



**DETAIL OF BUTTON HEAD BOLT AND NUT**  
3/8" DIA. X 1/8" DEEP RECESS



**ANCHOR PLATE**  
3/8" THICK GALV. STEEL PLATE

**SYSTEM PARTS**

SHEET 6 OF 7  
862D02

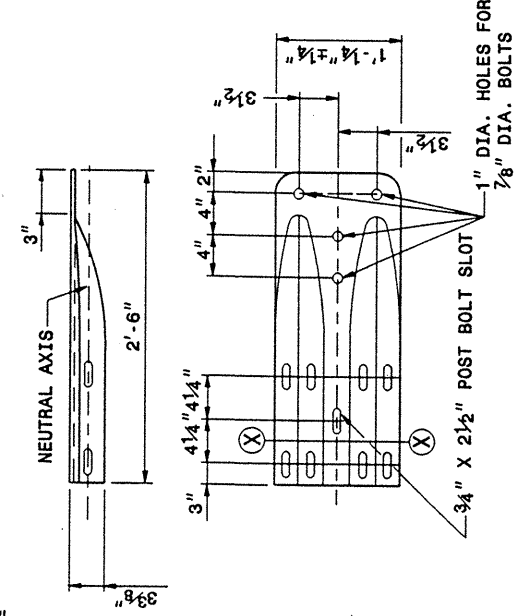
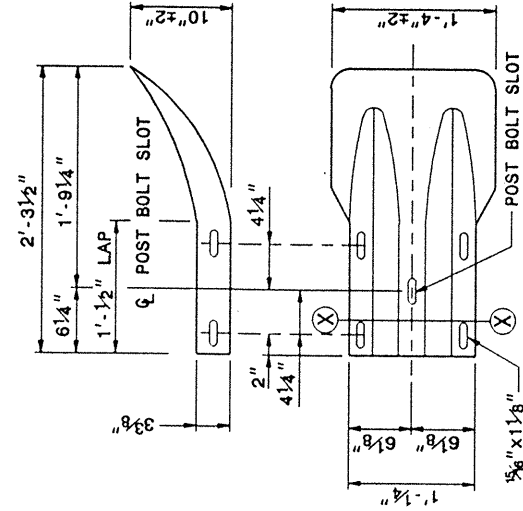
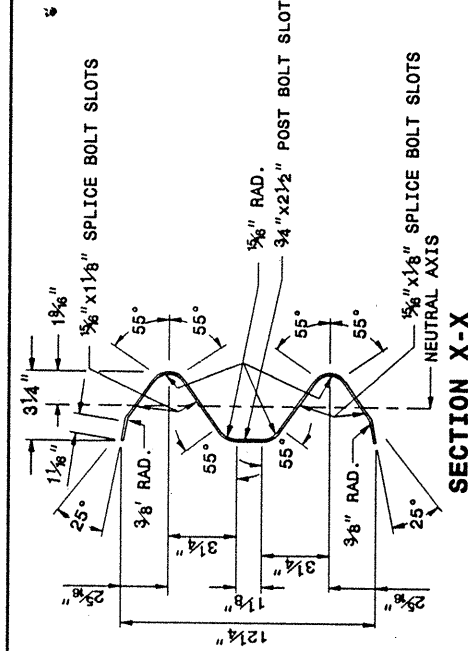
STATE OF NORTH CAROLINA  
DEPT. OF TRANSPORTATION  
DIVISION OF HIGHWAYS  
RALEIGH, N.C.

ENGLISH DETAIL DRAWING FOR  
GUARDRAIL INSTALLATION

STATE OF NORTH CAROLINA  
DEPT. OF TRANSPORTATION  
DIVISION OF HIGHWAYS  
RALEIGH, N.C.

ENGLISH DETAIL DRAWING FOR  
GUARDRAIL INSTALLATION

SHEET 6 OF 7  
862D02



**SYSTEM PARTS - GENERAL USE**

**SYSTEM PARTS - GENERAL USE**

STATE OF NORTH CAROLINA  
DEPT. OF TRANSPORTATION  
DIVISION OF HIGHWAYS  
RALEIGH, N.C.

ENGLISH DETAIL DRAWING FOR  
GUARDRAIL INSTALLATION

SHEET 6 OF 7  
862D02

PROJECT SERVICES UNIT  
STANDARDS AND SPECIAL DESIGN  
Office 919-250-4128 FAX 919-250-4119

SEE PLATE FOR TITLE

ORIGINAL BY: 2002 STD.862.02 DATE:  
MODIFIED BY: E.E. WARD DATE: 02-09-03  
CHECKED BY: DATE:  
FILE SPEC.: /usr/stds/02tdetail/english/862d02/862d02.dgn