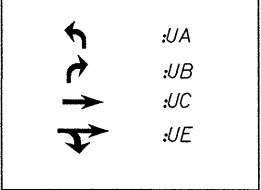
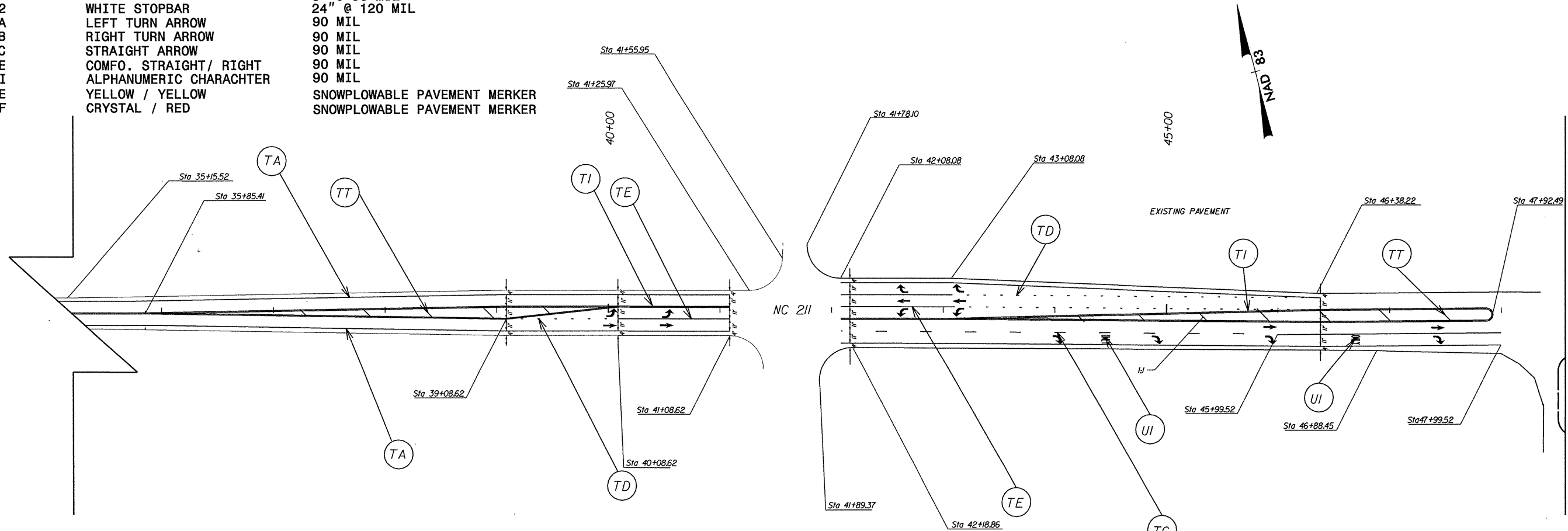


THERMOPLASTIC PAVEMENT MERKINGS

TH	YELLOW SINGLE CENTER	4" @ 120 MIL
TI	YELLOW DOUBLE CENTER	4" @ 120 MIL
TC	10 FT. WHITE SKIP	4" @ 120 MIL
TF	10 FT. YELLOW SKIP	4" @ 120 MIL
TE	WHITE SOLID LANE LINE	4" @ 120 MIL
TD	2 FT. WHITE MINISKIP	4" @ 120 MIL
TA	WHITE EDGELINE	4" @ 90 MIL
TT	YELLOW DIAGONAL	8" @ 90 MIL
T2	WHITE STOPBAR	24" @ 120 MIL
UA	LEFT TURN ARROW	90 MIL
UB	RIGHT TURN ARROW	90 MIL
UC	STRAIGHT ARROW	90 MIL
UE	COMFO. STRAIGHT / RIGHT	90 MIL
UI	ALPHANUMERIC CHARACTER	90 MIL
ME	YELLOW / YELLOW	SNOWPLOWABLE PAVEMENT MERKER
MF	CRYSTAL / RED	SNOWPLOWABLE PAVEMENT MERKER


PROJ. REFERENCE NO.	SHEET NO.
	PM-03



MATCHLINE SHEET PM-03
STA. 20+00

SEE SHEET PM 1 FOR MARKING SCHEDULE.
SEE ROADWAY STANDARD DRAWING NO. 1250.01 AND 1251.01 FOR PAVEMENT MARKER SPACING AND SNOWPLOWABLE PAVEMENT MARKERS.

* ALL TRAVEL LANES ARE 11' WIDE PAVED SHOULDER WIDTHS WILL VARY.

APPROVED:	DATE:								
SEAL	SCALE:	NONE							
	DATE:								
	DESIGN BY:								
	REVIEWED BY:								
			<table border="1"> <thead> <tr> <th colspan="2">REVISIONS</th> </tr> </thead> <tbody> <tr> <td> </td> <td> </td> </tr> <tr> <td> </td> <td> </td> </tr> </tbody> </table>	REVISIONS					
REVISIONS									

\$\$\$\$\$ SYSTEM TIME \$\$\$
\$\$\$\$\$ SUBSERIAL NAME \$\$\$

MATCHLINE SHEET PM-03
STA. 20+00