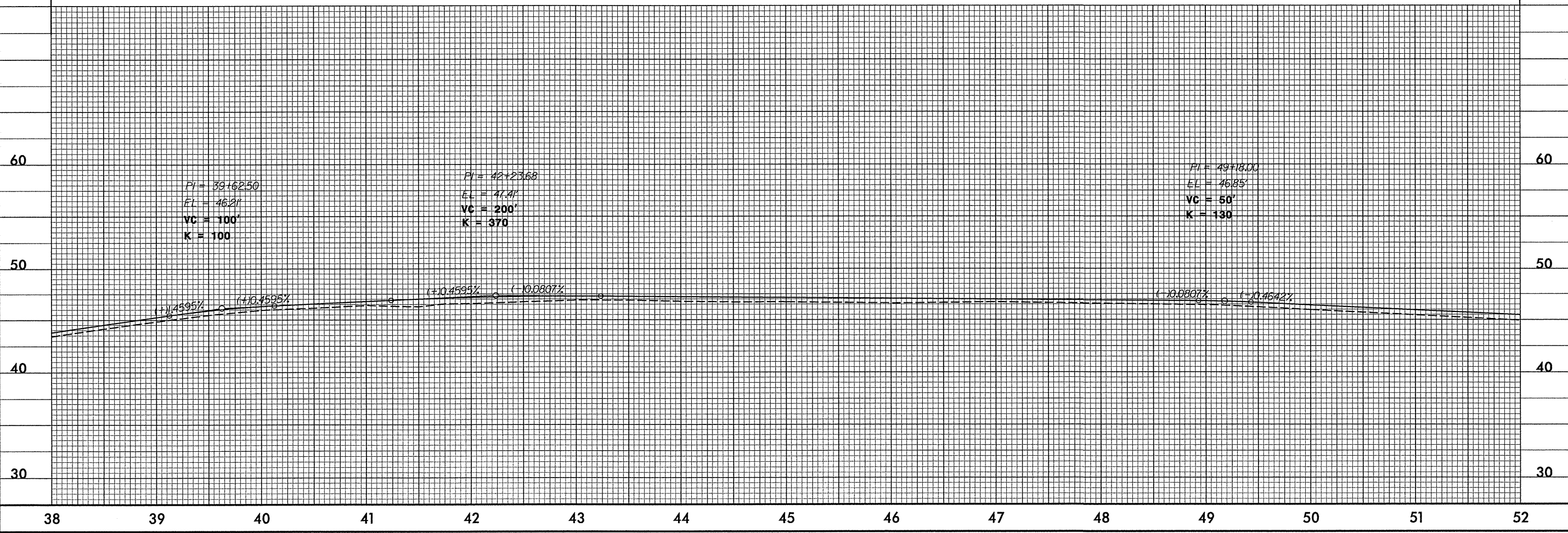
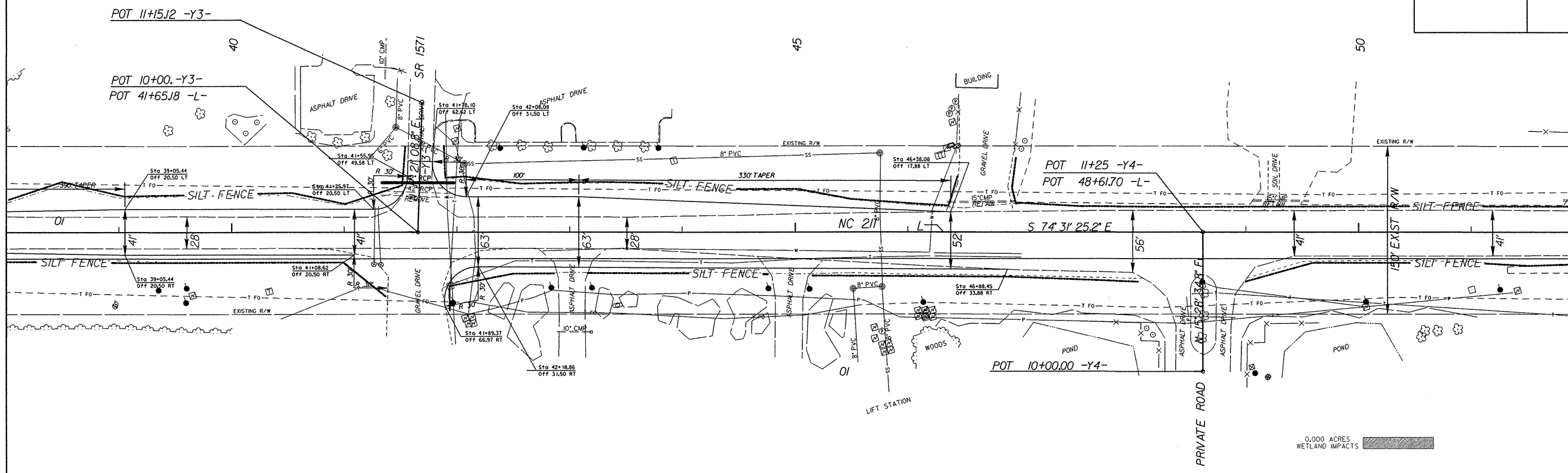


PROJECT REFERENCE NO.	SHEET NO.
WBS No. 38224	EC 02
RW SHEET NO.	
ROADWAY DESIGN ENGINEER	HYDRAULICS ENGINEER
INCOMPLETE PLANS DO NOT USE FOR R/W ACQUISITION PRELIMINARY PLANS DO NOT USE FOR CONSTRUCTION	

STA. 38+00  
MATCHLINE SHEET 05

MATCHLINE SHEET 07  
STA. 52+00

REVISIONS



0.000 ACRES  
WETLAND IMPACTS

8/17/93

SYTIME  
DONS  
02  
01  
00  
99  
98  
97  
96  
95  
94  
93  
92  
91  
90  
89  
88  
87  
86  
85  
84  
83  
82  
81  
80  
79  
78  
77  
76  
75  
74  
73  
72  
71  
70  
69  
68  
67  
66  
65  
64  
63  
62  
61  
60  
59  
58  
57  
56  
55  
54  
53  
52  
51  
50  
49  
48  
47  
46  
45  
44  
43  
42  
41  
40  
39  
38