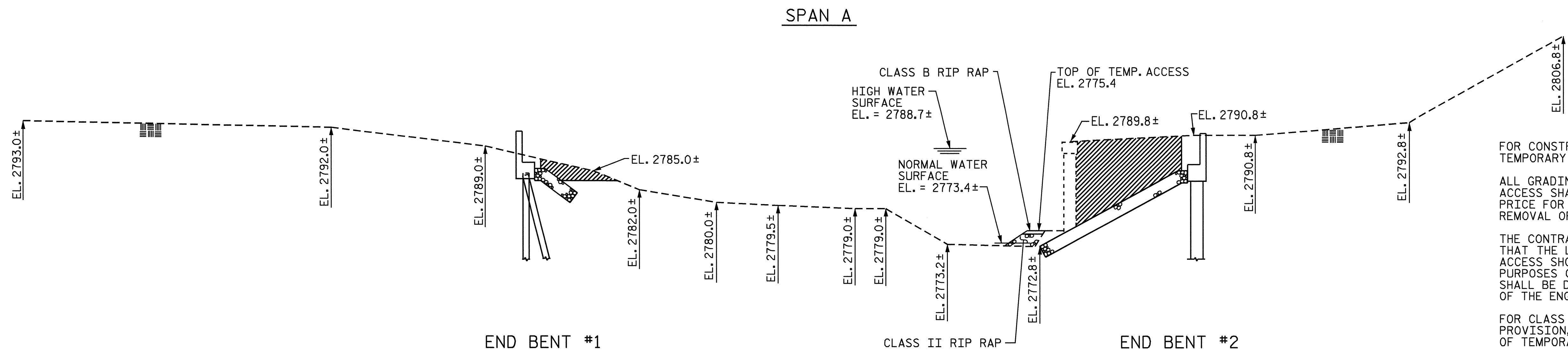


GRADE DATA -L-

-0.7000%    -0.3000%

PI = 15+75.00 -L-  
 EL. = 2793.65  
 VC = 150.00

2810  
2800  
2790  
2780  
2770



**NOTES**

FOR CONSTRUCTION, MAINTENANCE AND REMOVAL OF TEMPORARY ACCESS, SEE SPECIAL PROVISIONS.

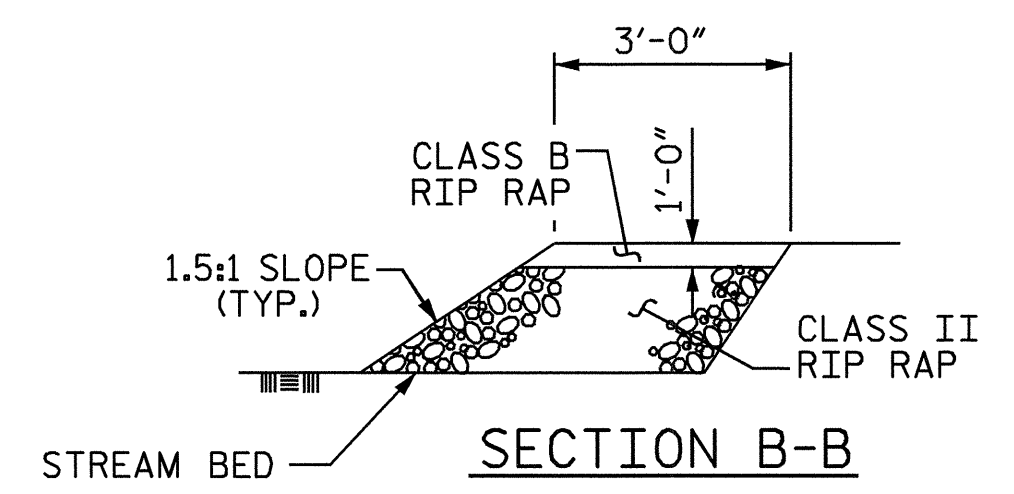
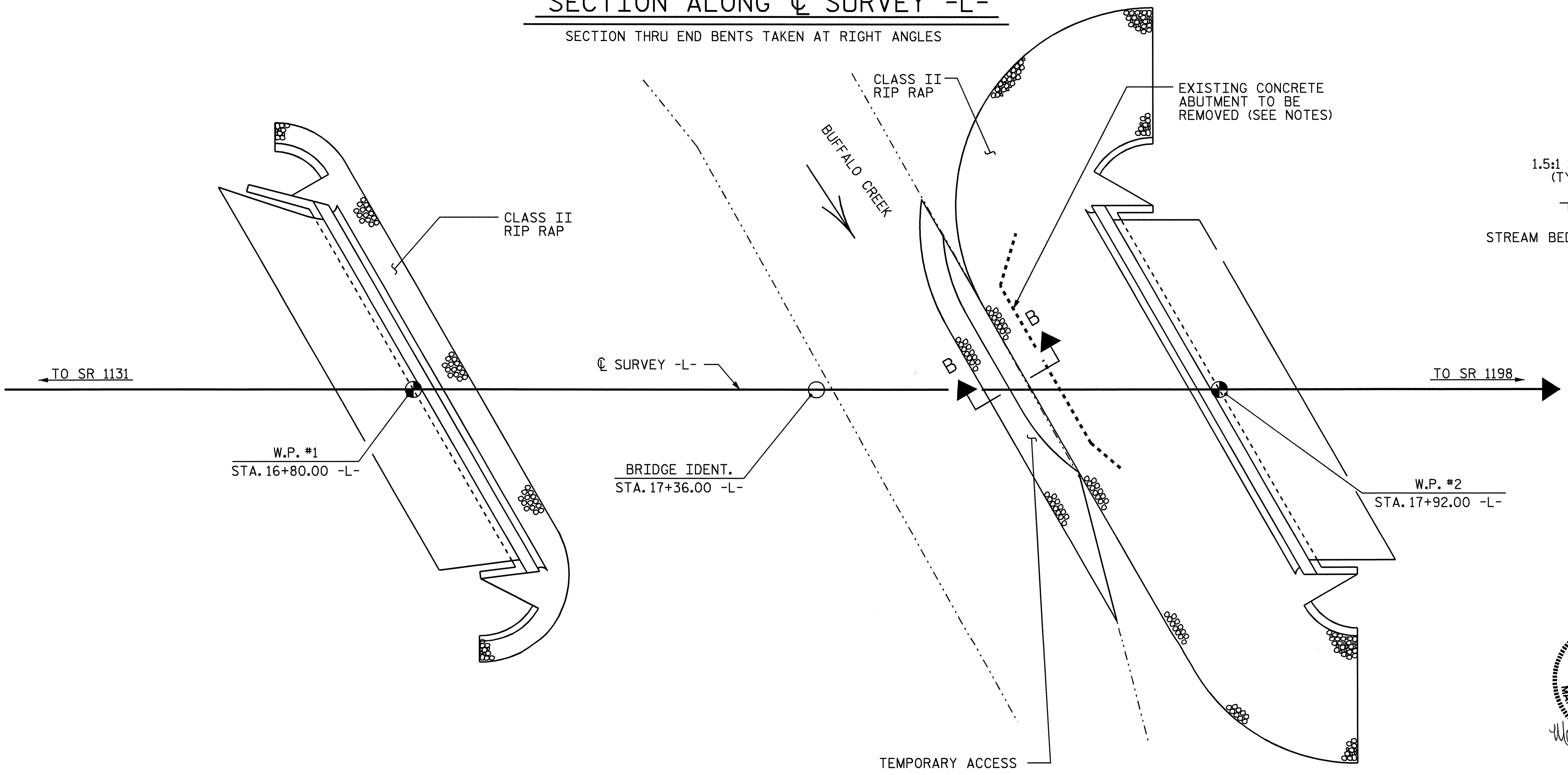
ALL GRADING REQUIRED FOR ACCESS TO THE TEMPORARY ACCESS SHALL BE INCLUDED IN THE LUMP SUM BID PRICE FOR "CONSTRUCTION, MAINTENANCE, AND REMOVAL OF TEMPORARY ACCESS".

THE CONTRACTOR'S ATTENTION IS CALLED TO THE FACT THAT THE LOCATION AND PROFILE OF THE TEMPORARY ACCESS SHOWN ON THE PLANS IS FOR ESTIMATING PURPOSES ONLY. THE ACTUAL LOCATION AND PROFILE SHALL BE DETERMINED IN THE FIELD WITH THE APPROVAL OF THE ENGINEER.

FOR CLASS II RIP RAP AND CLASS B RIP RAP, SEE SPECIAL PROVISION, "CONSTRUCTION, MAINTENANCE, AND REMOVAL OF TEMPORARY ACCESS".

SECTION ALONG C SURVEY -L-

SECTION THRU END BENTS TAKEN AT RIGHT ANGLES



PLAN

PROJECT NO. B-3300  
 ASHE COUNTY  
 STATION: 17+36.00 -L-



STATE OF NORTH CAROLINA  
 DEPARTMENT OF TRANSPORTATION  
 RALEIGH

TEMPORARY ACCESS

DRAWN BY : CR YARBROUGH    DATE : 01/05  
 CHECKED BY : MG CHEEK    DATE : 01/05

REVISIONS						SHEET NO.
NO.	BY:	DATE:	NO.	BY:	DATE:	S-3A
1			3			TOTAL SHEETS
2			4			23