

AT END OF GIRDER
AT C. OF GIRDER
0.6" Ø LOW RELAXATION STRAND LAYOUT

3" Ø CORED OR FORMED HOLE
SEE ELEVATION FOR LOCATION

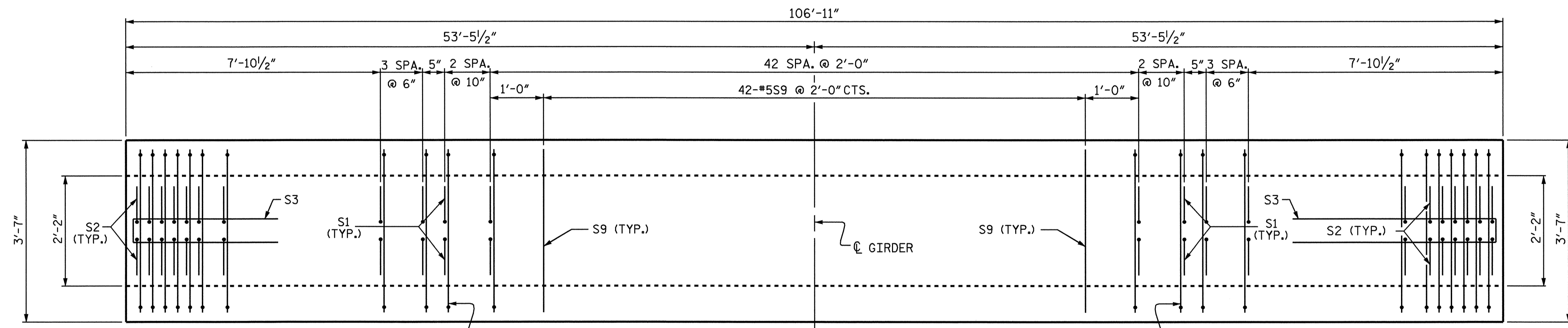
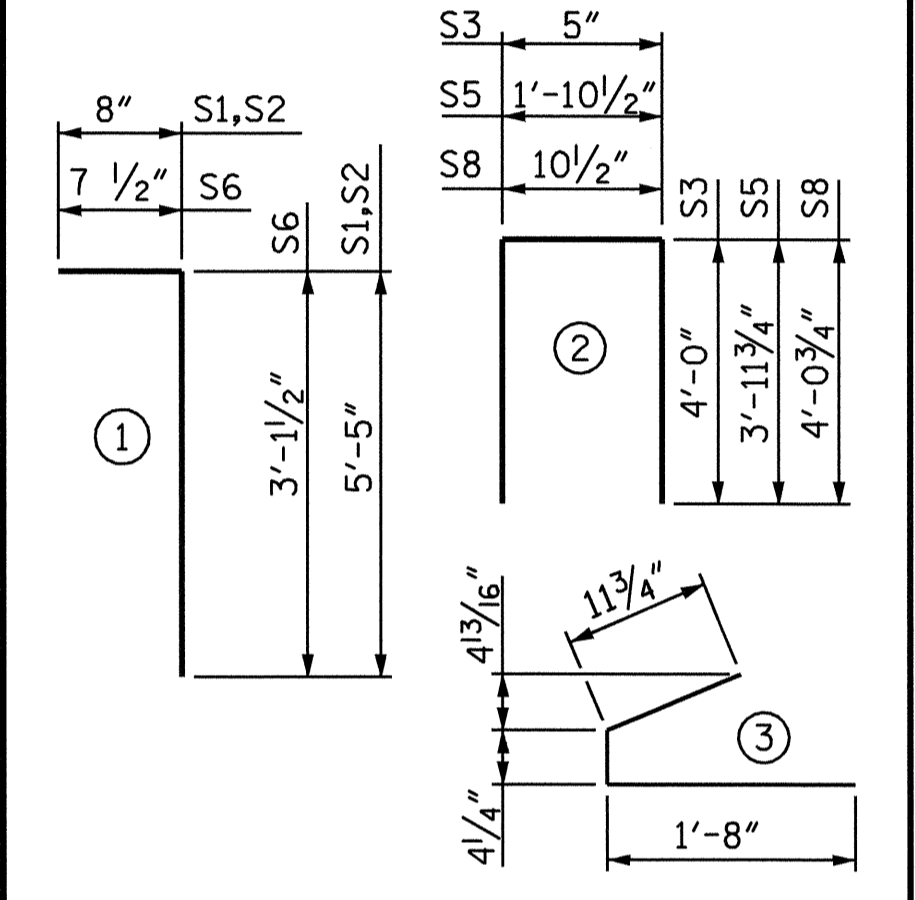
- DEBONDING LEGEND**
- FULLY BONDED STRANDS
 - ◻ STRANDS DEBONDED FOR 4'-0" FROM END OF GIRDER
 - ▲ STRANDS DEBONDED FOR 6'-0" FROM END OF GIRDER

THE CONTRACTOR HAS THE OPTION TO PROVIDE, AT NO ADDITIONAL COST TO THE DEPARTMENT, 2 ADDITIONAL STRANDS AT THE TOP OF THE GIRDER TO FACILITATE TYING OF THE REINFORCING STEEL. THESE STRANDS SHALL BE PULLED TO A LOAD OF 4500 LBS.

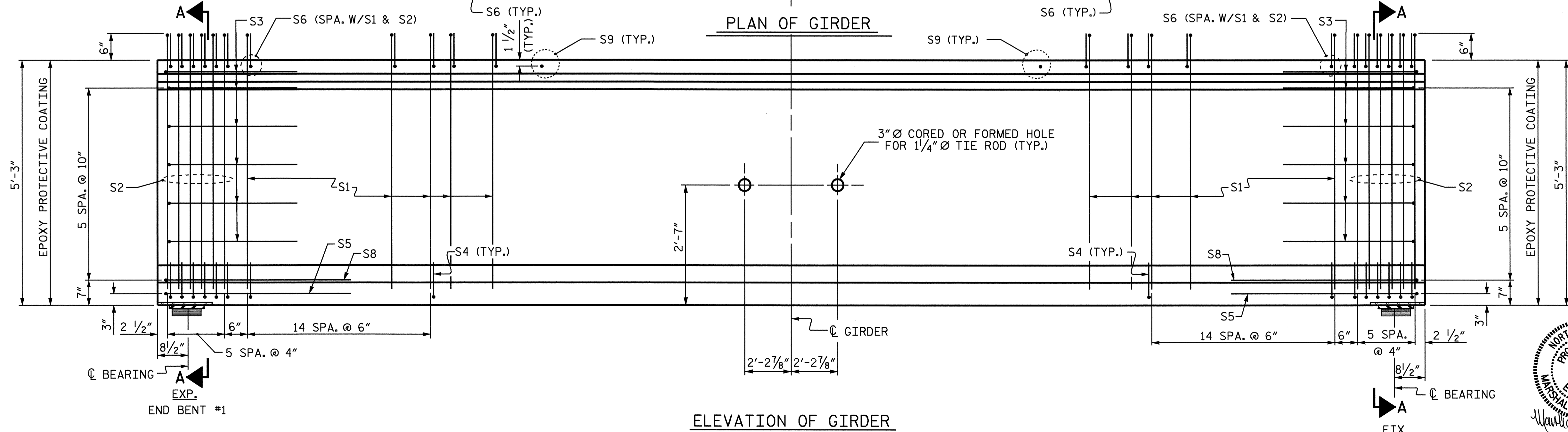
0.6" Ø L. R. GRADE 270 STRANDS		
AREA (SQUARE INCHES)	ULTIMATE STRENGTH (LBS. PER STRAND)	APPLIED PRESTRESS (LBS. PER STRAND)
0.217	58,600	43,950

REINFORCING STEEL FOR ONE GDR					
BAR	NUMBER	SIZE	TYPE	LENGTH	WEIGHT
S1	154	#4	1	6'-1"	626
S2	24	#5	1	6'-1"	152
S3	12	#4	2	8'-5"	67
S4	84	#4	3	3'-0"	168
S5	2	#5	2	9'-10"	21
S6	178	#5	1	3'-9"	696
S8	2	#5	2	9'-0"	19
S9	42	#5	STR	3'-3"	142

BAR TYPES
ALL BAR DIMENSIONS ARE OUT-TO-OUT



PLAN OF GIRDER



ELEVATION OF GIRDER

THERE IS ONLY ONE 3" Ø CORED OR FORMED HOLE FOR 1/4" Ø TIE ROD IN EXTERIOR GIRDERS

QUANTITIES FOR ONE GIRDER			
	REINFORCING STEEL	7,500 PSI CONCRETE	0.6" Ø L.R. STRANDS
	LB.	C.Y.	No.
	1891	21.2	34

GIRDERS REQUIRED		
NUMBER	LENGTH	TOTAL LENGTH
6	106.92	641.50

PROJECT NO. B-3300
ASHE COUNTY
STATION: 17+36.00-L-

SHEET 2 OF 3

STATE OF NORTH CAROLINA
DEPARTMENT OF TRANSPORTATION
RALEIGH
OPTIONAL
63" PRESTRESSED CONCRETE
MODIFIED BULB TEE
(WITH 0.6" Ø PARTIALLY
DEBONDED STRANDS)



ASSEMBLED BY : L.L. MURPHY	DATE : 10-04
CHECKED BY : V.X. NGUYEN	DATE : 12-04
DRAWN BY : RWW 9/19/02	ADDED 9/19/02
CHECKED BY : GM 9/19/02	

REVISIONS					SHEET NO.
NO.	BY:	DATE:	NO.	BY:	DATE:
1			3		
2			4		

STD. NO. PCGD9