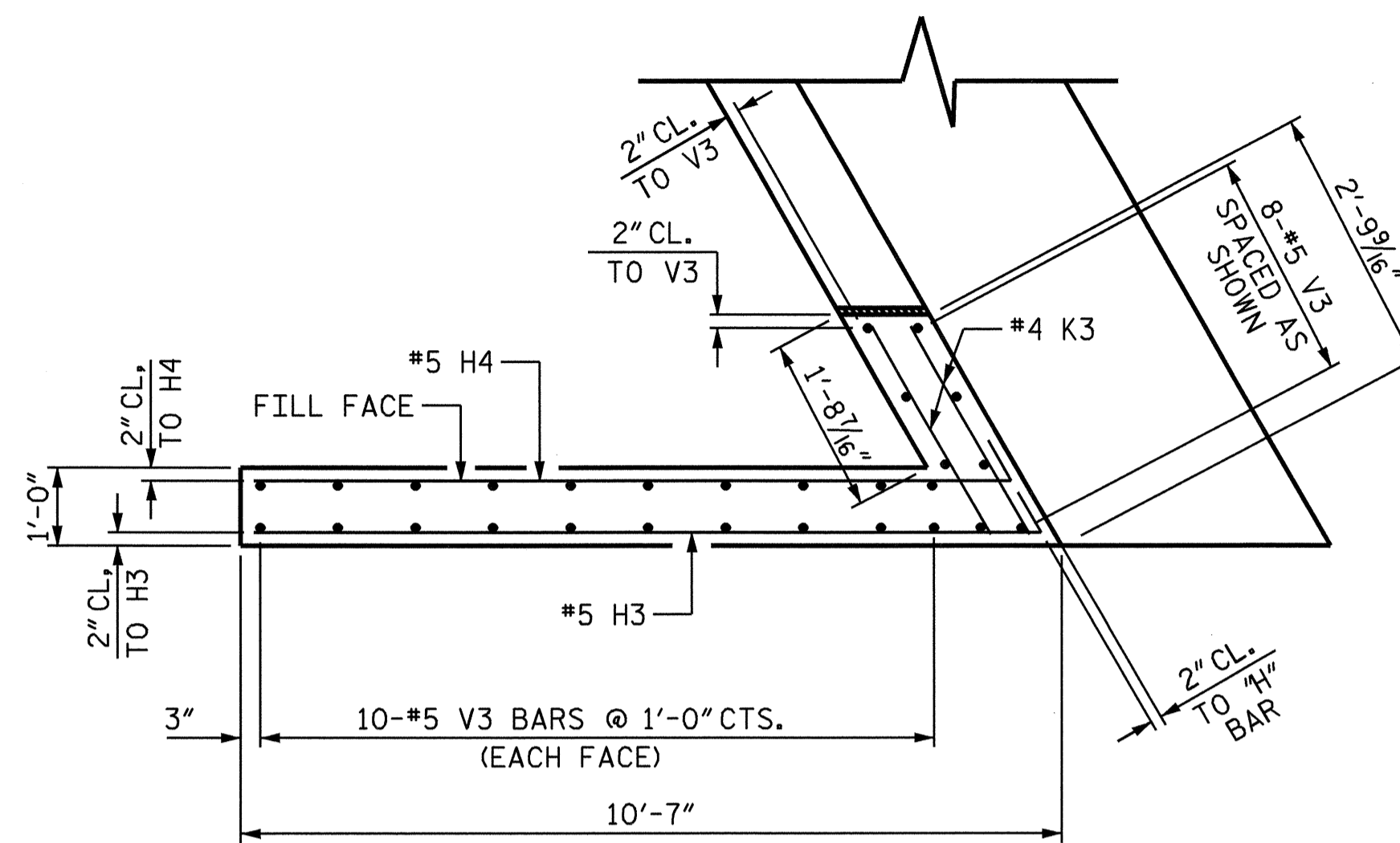
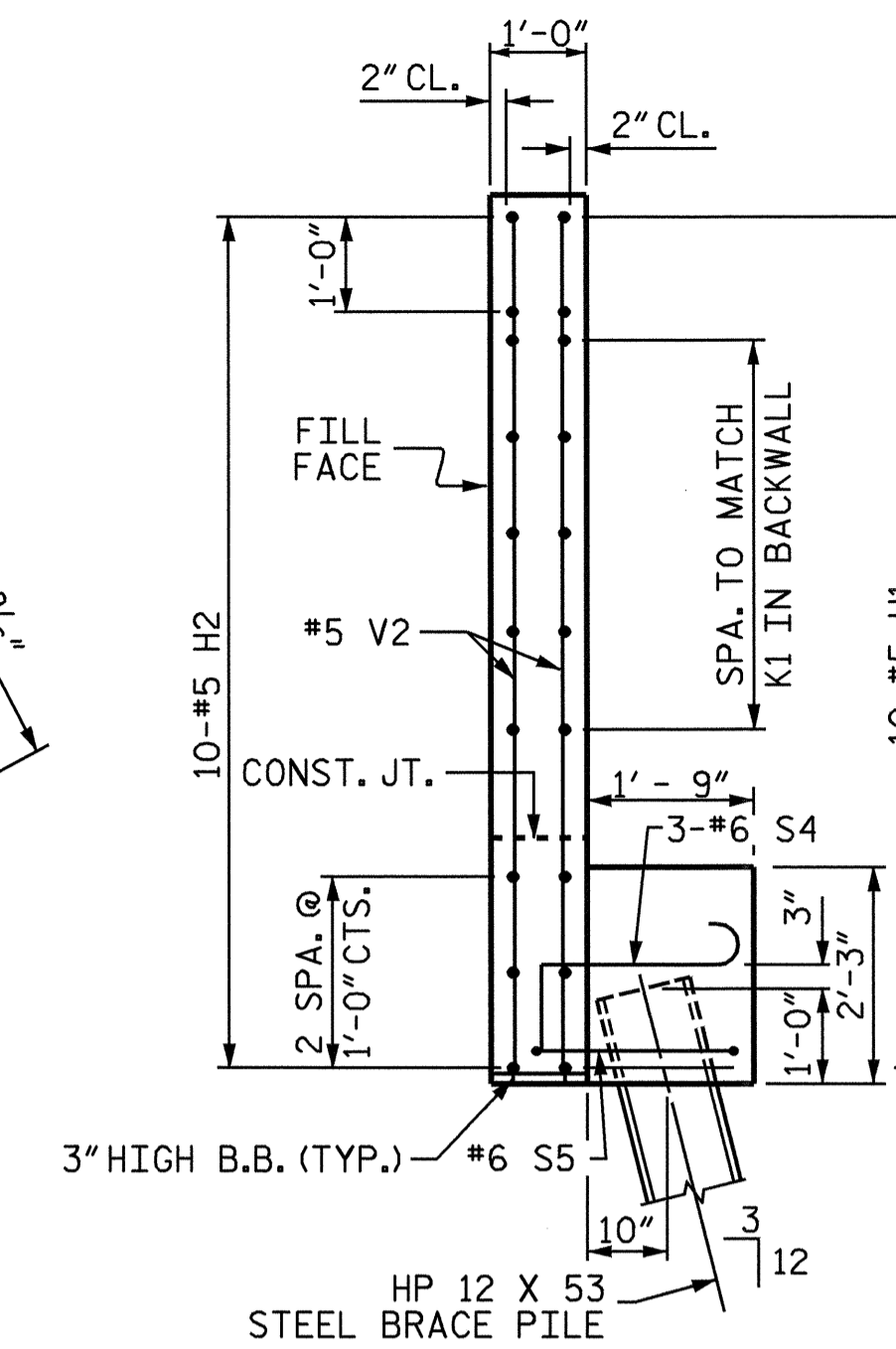


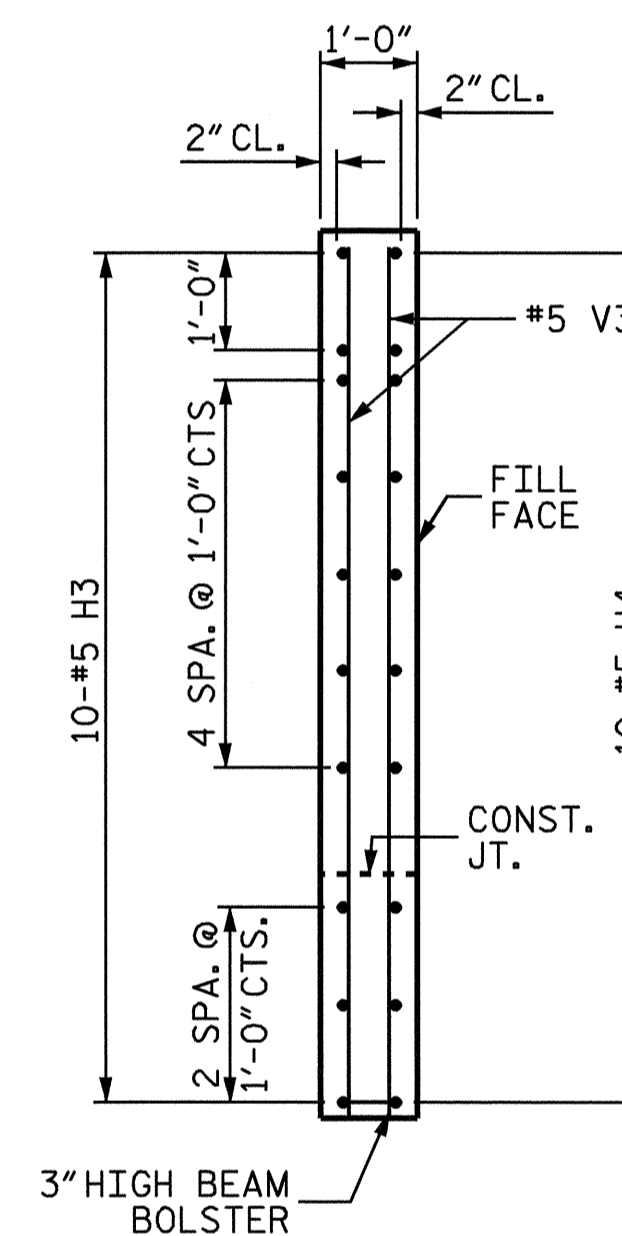
PLAN OF WING-W1



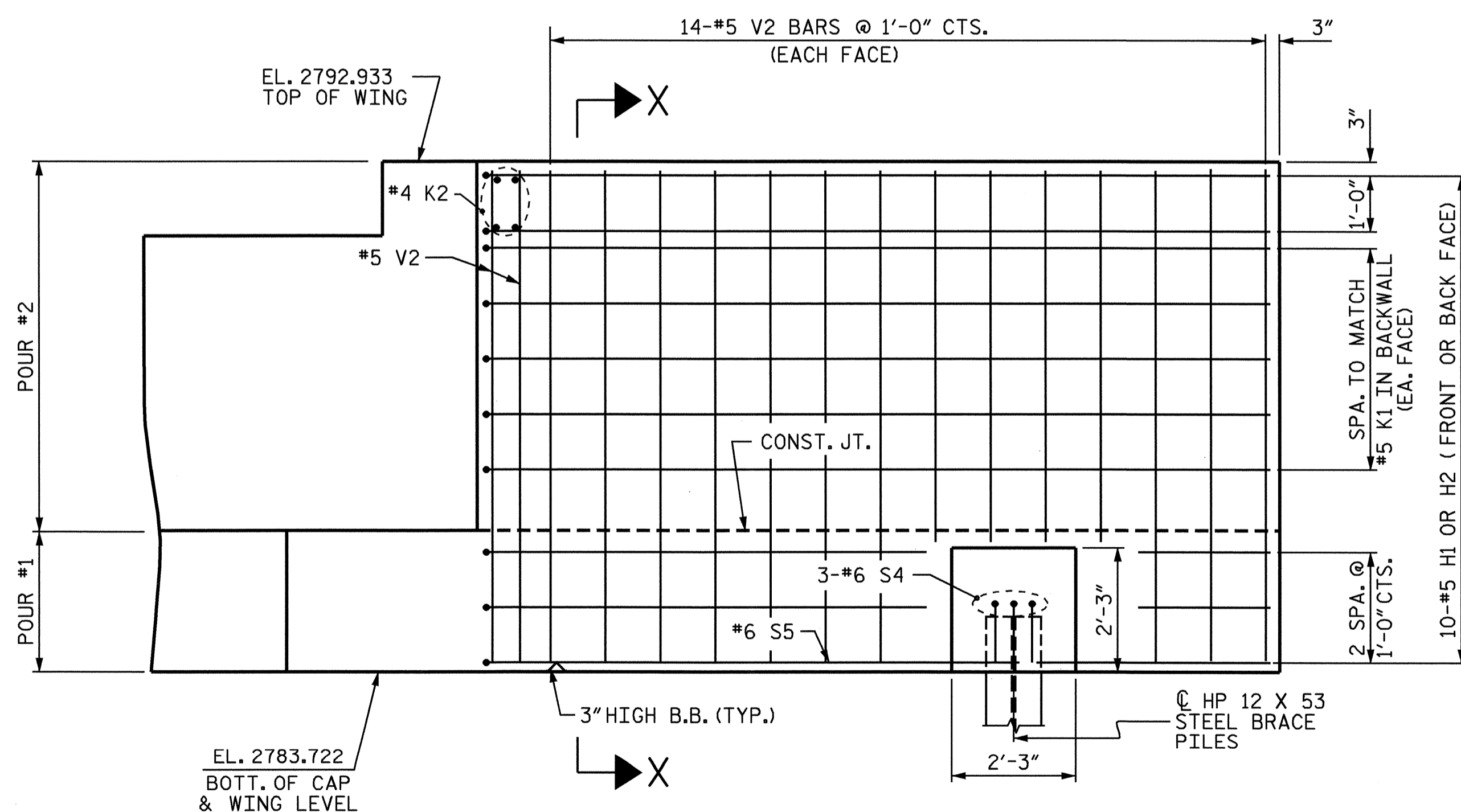
PLAN OF WING-W2



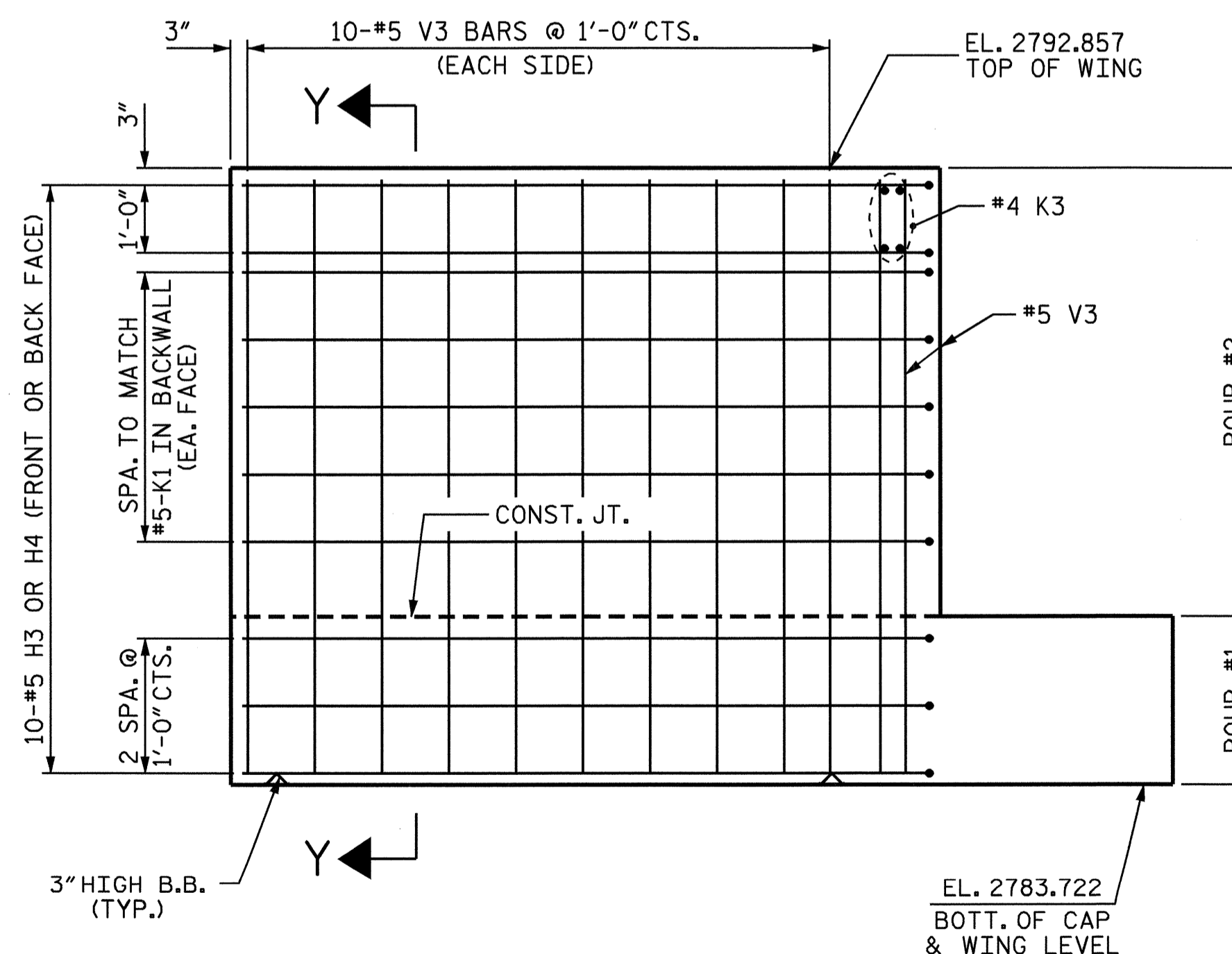
SECTION X-X



SECTION Y-Y



ELEVATION OF WING-W1



ELEVATION OF WING-W2

PROJECT NO. B-3300  
 ASHE COUNTY  
 STATION: 17+36.00 -L-

SHEET 2 OF 3

STATE OF NORTH CAROLINA  
 DEPARTMENT OF TRANSPORTATION  
 RALEIGH

SUBSTRUCTURE  
 END BENT #1



REVISIONS						SHEET NO.
NO.	BY:	DATE:	NO.	BY:	DATE:	S-14
1			3			TOTAL SHEETS
2			4			23

DRAWN BY: ZION JAMES RORIE DATE: 9/15/04  
 CHECKED BY: M.G. CHEEK DATE: 10/4/04