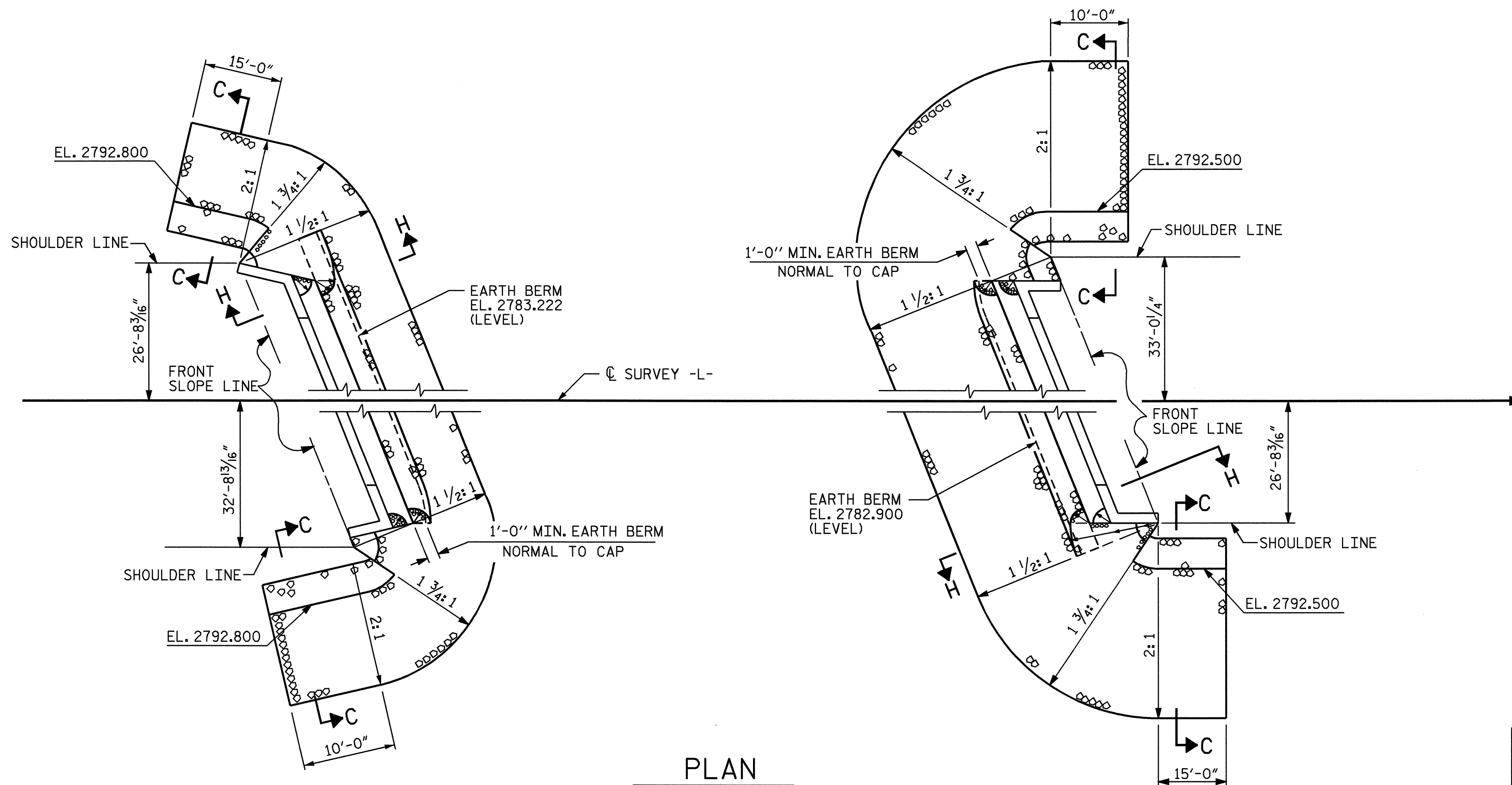
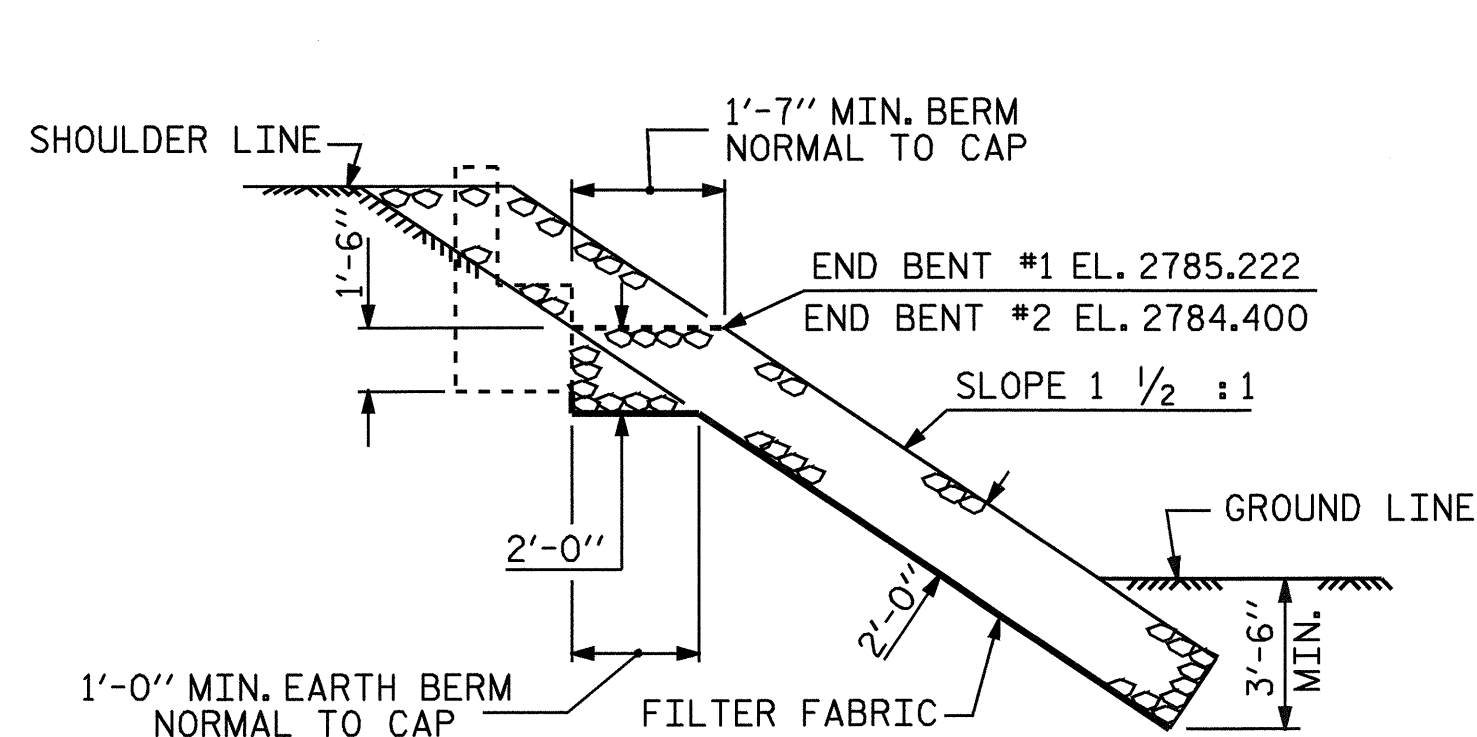


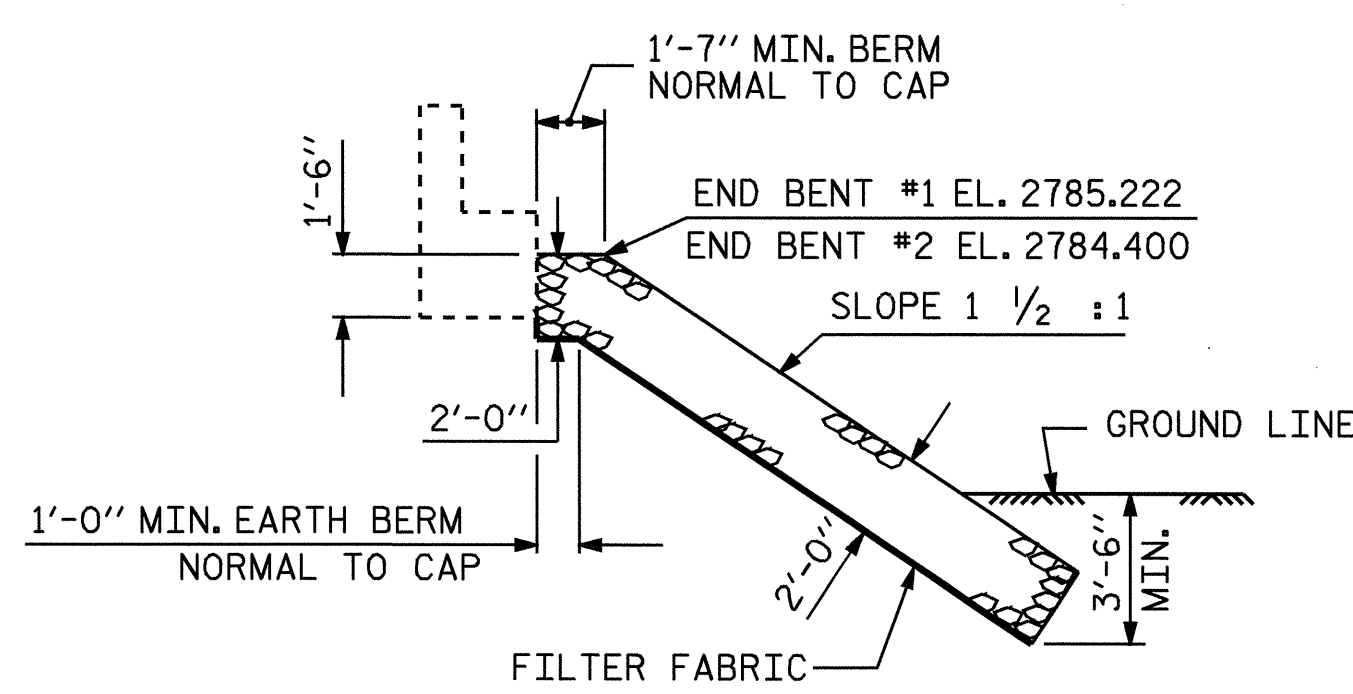
NOTES :
FOR BERM WIDTH DIMENSIONS, SEE GENERAL DRAWING.



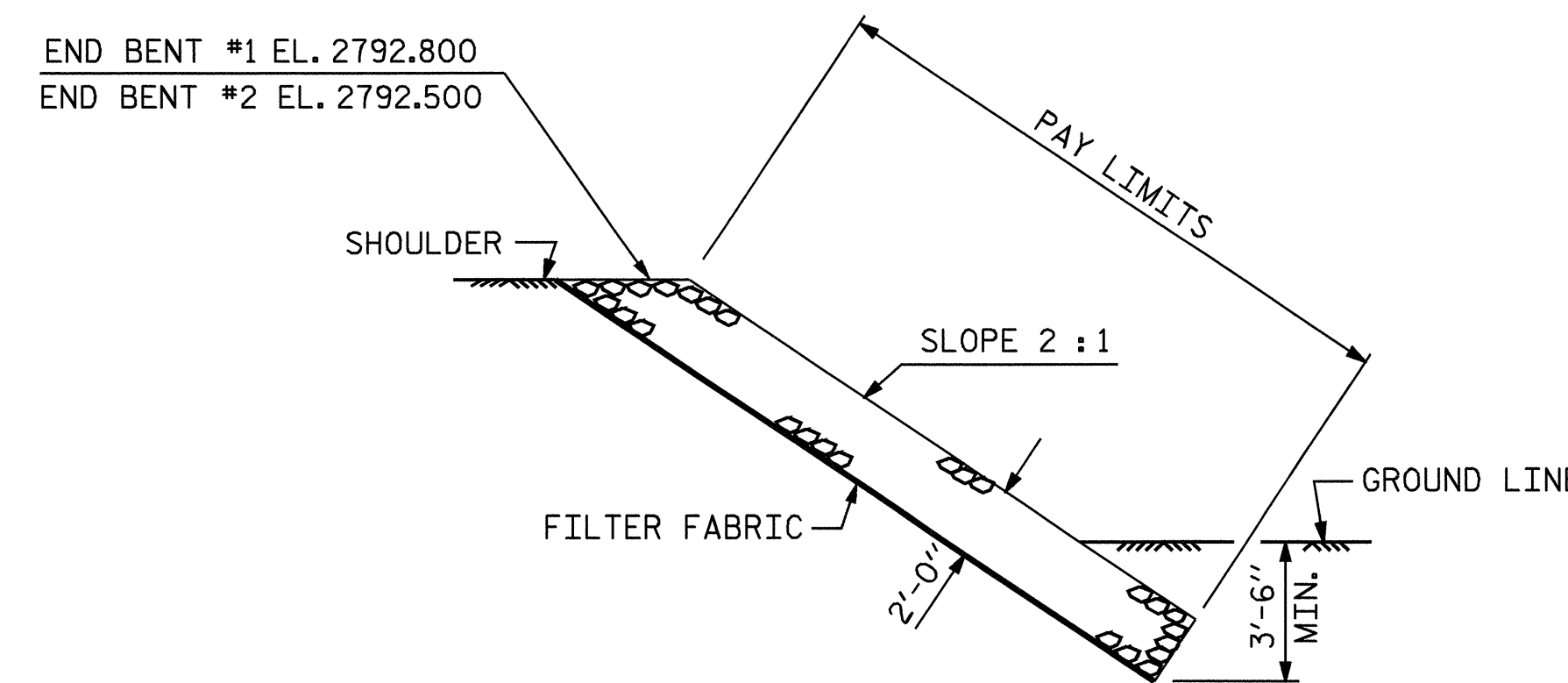
ESTIMATED QUANTITIES		
BRIDGE @ STA. 17+36.00 -L-	PLAIN RIP RAP CLASS II	FILTER FABRIC FOR DRAINAGE
	TONS	SQUARE YARDS
END BENT 1	205	225
END BENT 2	400	445



SECTION H-H



SECTION C-C
BERM RIP RAPPED



SECTION C-C

PROJECT NO. B-3300
ASHE COUNTY
STATION: 17+36.00 -L-

STATE OF NORTH CAROLINA
DEPARTMENT OF TRANSPORTATION
RALEIGH
STANDARD
= RIP RAP DETAILS =



ASSEMBLED BY : D. HODGE	DATE : 10/04
CHECKED BY : W.J. HARRIS	DATE : 10/04
DRAWN BY : REK 1/84	REV. 7/17/98
CHECKED BY : RDU 1/84	REV. 8/16/99
	REV. 10/17/00

REVISIONS						SHEET NO.
NO.	BY:	DATE:	NO.	BY:	DATE:	S-19
1			3			TOTAL SHEETS 23
2			4			