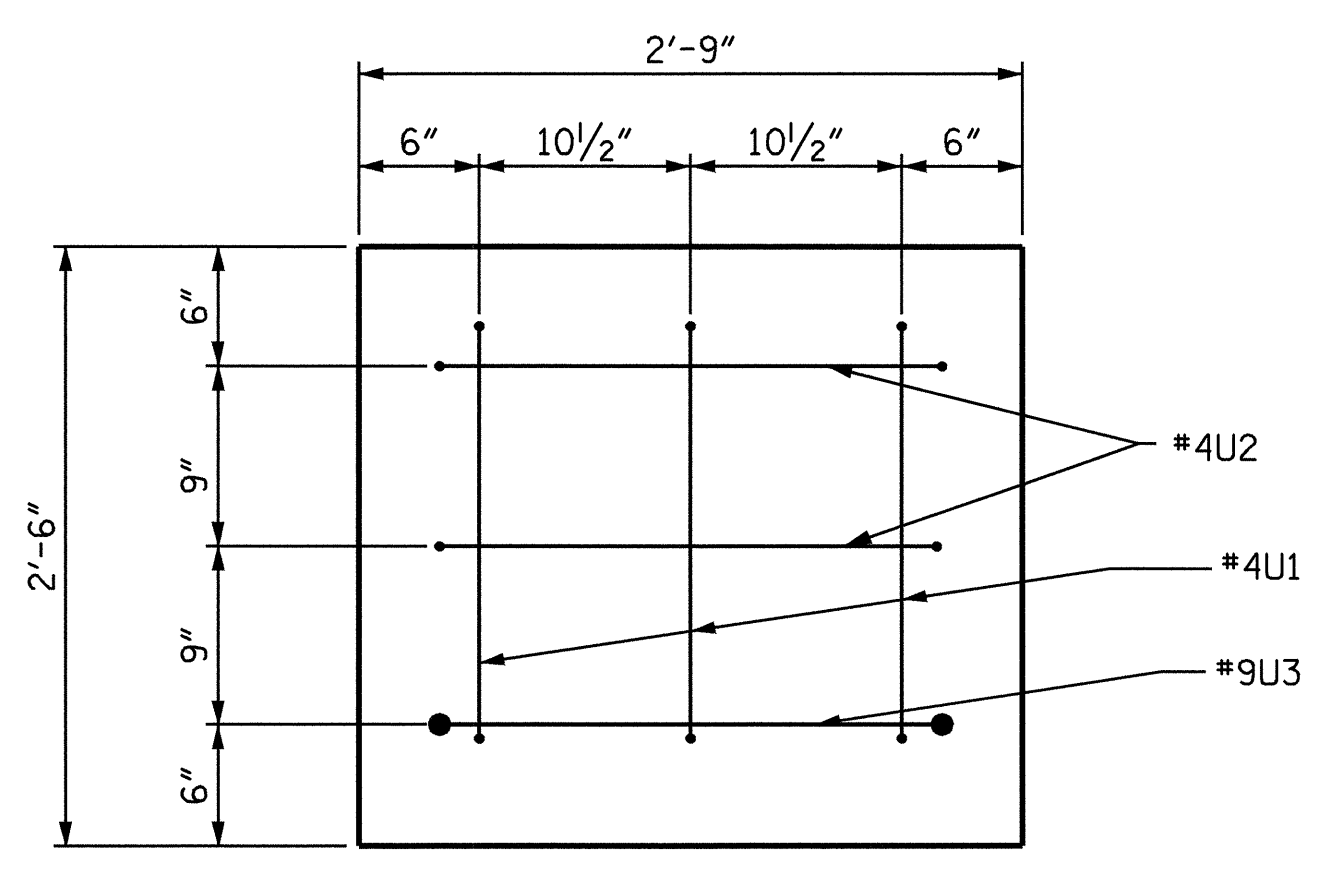


SECTION A-A

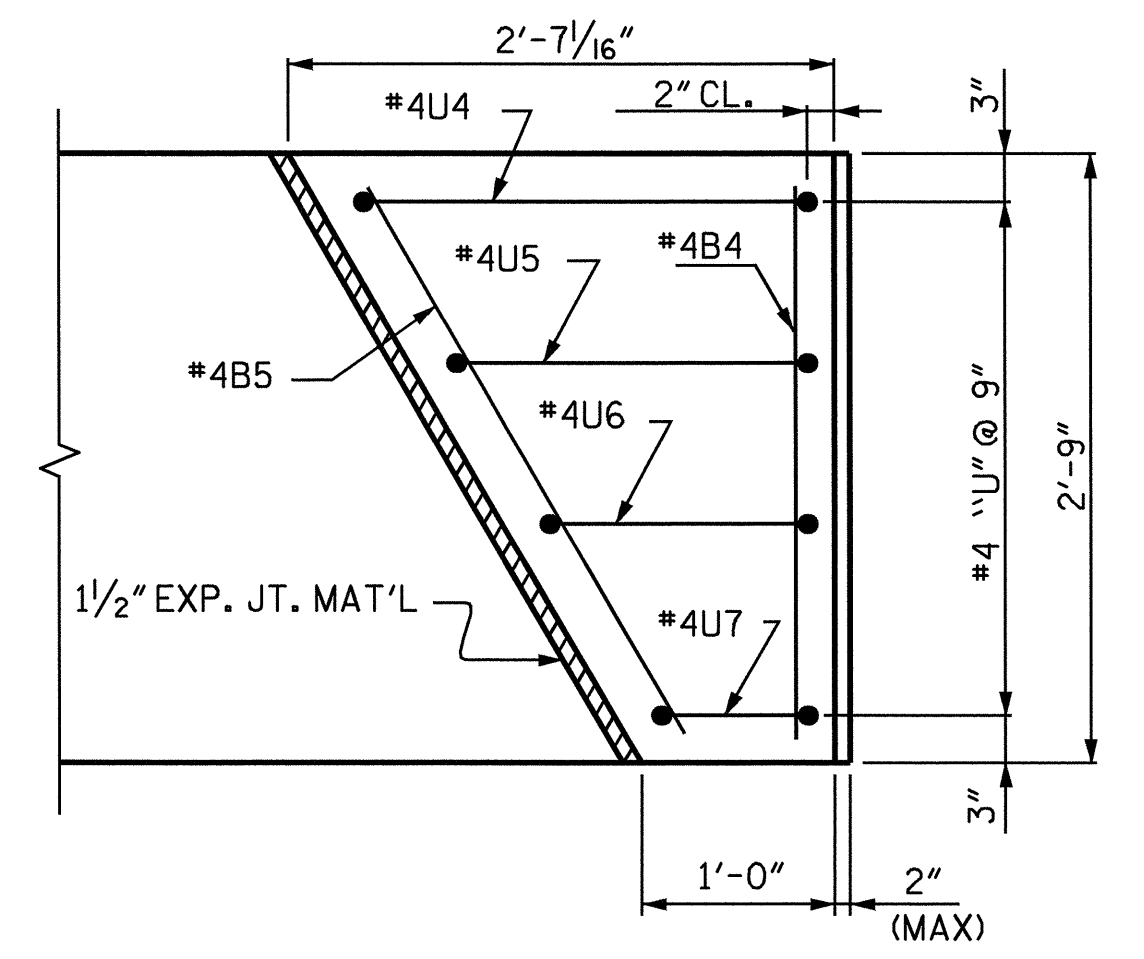


END VIEW

2" MIN. CONCRETE COVER FROM END OF CAP
 REQUIRED FOR ALL #4U1, #4U2 AND #9U3 BARS.
 #4U1, #4U2 AND #9U3 BARS MAY BE
 SHIFTED UP TO 2" TO CLEAR "B" BARS.

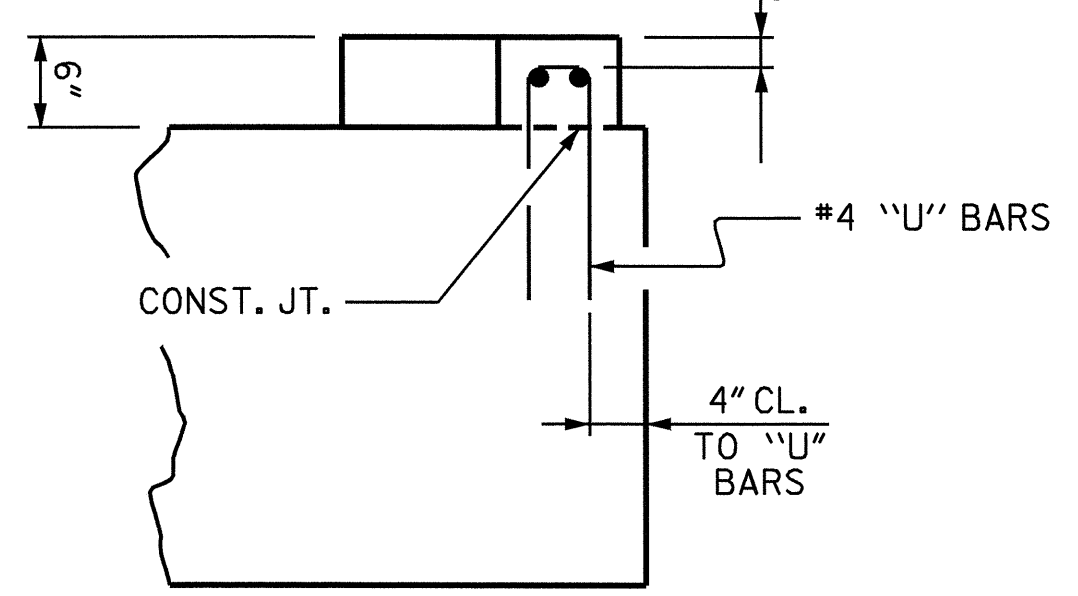
BAR TYPES		BILL OF MATERIAL				
BAR	NO.	SIZE	TYPE	LENGTH	WEIGHT	
B1	8	#9	1	47'-8"	1297	
B2	2	#5	STR	45'-4"	95	
B3	8	#4	STR	23'-11"	128	
B4	14	#4	STR	2'-5"	23	
B5	2	#4	STR	2'-9"	4	
D1	48	#6	STR	1'-6"	108	
S1	40	#5	2	3'-4"	139	
S2	40	#5	3	7'-7"	316	
S3	18	#4	4	7'-6"	90	
U1	6	#4	5	5'-0"	20	
U2	4	#4	5	5'-3"	14	
U3	2	#9	5	9'-7"	65	
U4	2	#4	5	5'-1"	7	
U5	2	#4	5	4'-8"	6	
U6	2	#4	5	4'-2"	6	
U7	2	#4	5	3'-9"	5	
REINFORCING STEEL					= 2323 LBS	
CLASS A CONCRETE						
POUR #1 CAP					CU. YDS. 11.8	
POUR #2 LATERAL GUIDE					CU. YDS. 0.1	
TOTAL					CU. YDS. 11.9	
HP 14 X 73 STEEL PILES						
NO. 9					LIN. FT. 450	

ALL BAR DIMENSIONS ARE OUT TO OUT.

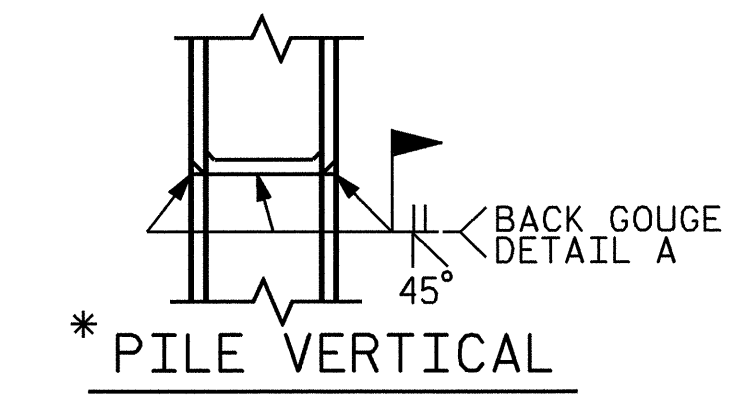


PLAN

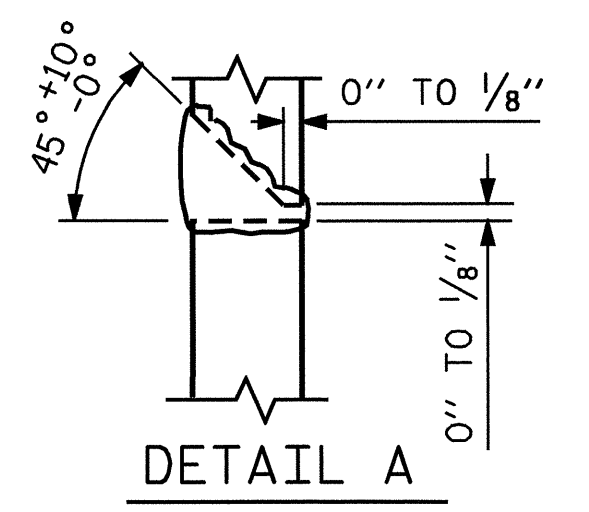
LATERAL GUIDE DETAIL



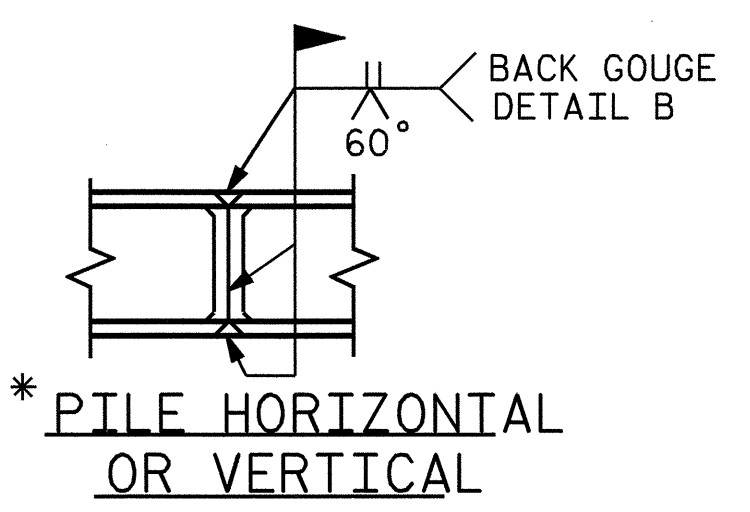
ELEVATION



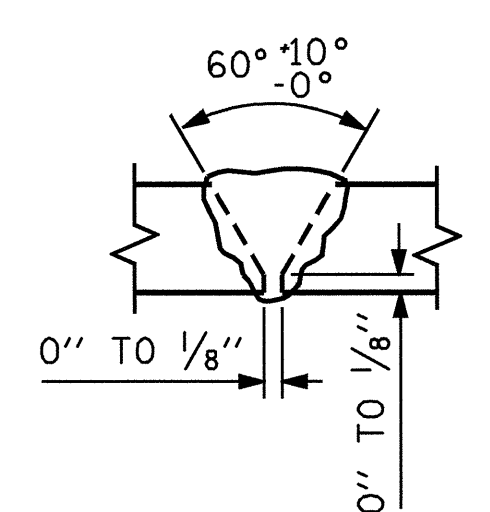
* PILE VERTICAL



DETAIL A



* PILE HORIZONTAL OR VERTICAL



DETAIL B

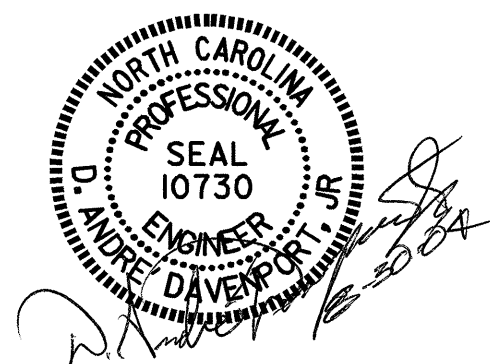
PILE SPLICE DETAILS

* POSITION OF PILE DURING WELDING.

PROJECT NO. B-4320
 WAYNE/DUPLIN COUNTY
 STATION: 16+47.50 -L-

SHEET 2 OF 2

STATE OF NORTH CAROLINA DEPARTMENT OF TRANSPORTATION RALEIGH					
SUBSTRUCTURE BENT #2					
REVISIONS					SHEET NO.
NO.	BY:	DATE:	NO.	BY:	DATE:
1			3		
2			4		
					TOTAL SHEETS 22



DRAWN BY: ADAM A. COLE DATE: 7/15/04
 CHECKED BY: SP LAM DATE: 8/04