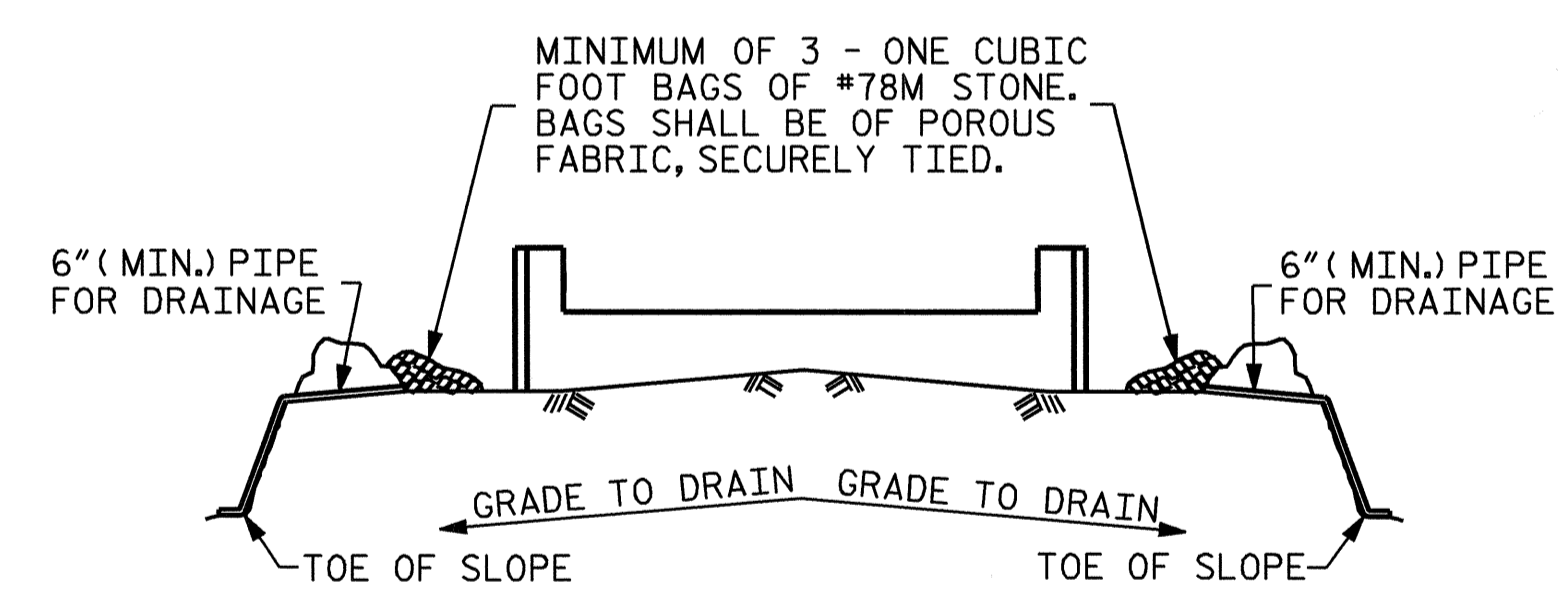


SECTION A-A

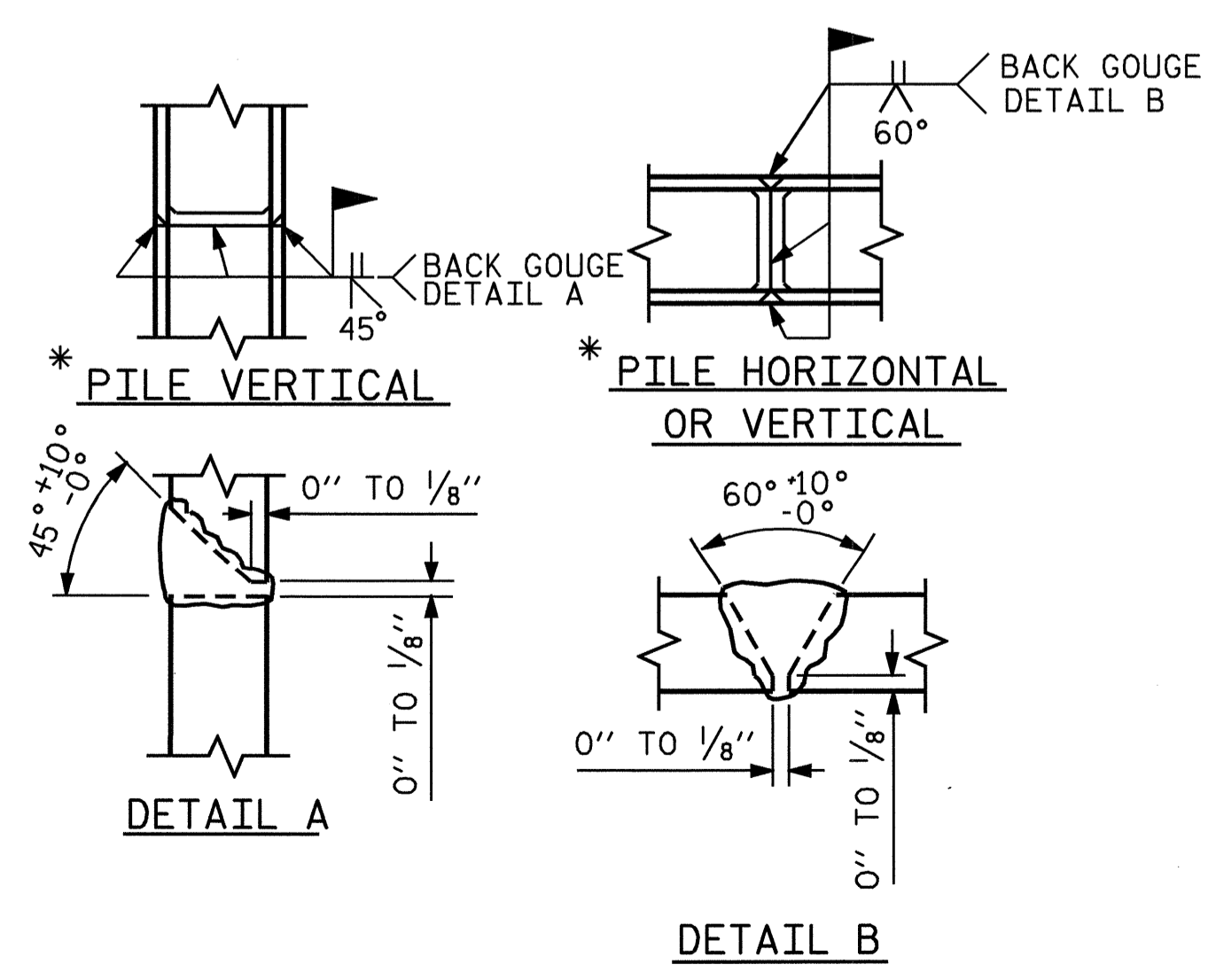


BAGGED STONE AND PIPE SHALL BE PLACED IMMEDIATELY AFTER COMPLETION OF END BENT EXCAVATION. PIPE MAY BE EITHER CONCRETE, CORRUGATED STEEL, CORRUGATED ALUMINUM ALLOY, OR CORRUGATED PLASTIC. PERFORATED PIPE WILL NOT BE ALLOWED.

BAGGED STONE SHALL REMAIN IN PLACE UNTIL THE ENGINEER DIRECTS THAT IT BE REMOVED. THE CONTRACTOR SHALL REMOVE AND DISPOSE OF SILT ACCUMULATIONS AT BAGGED STONE WHEN SO DIRECTED BY THE ENGINEER. BAGS SHALL BE REMOVED AND REPLACED WHENEVER THE ENGINEER DETERMINES THAT THEY HAVE DETERIORATED AND LOST THEIR EFFECTIVENESS.

NO SEPARATE PAYMENT WILL BE MADE FOR THIS WORK AND THE ENTIRE COST OF THIS WORK SHALL BE INCLUDED IN THE UNIT CONTRACT PRICE BID FOR THE SEVERAL PAY ITEMS.

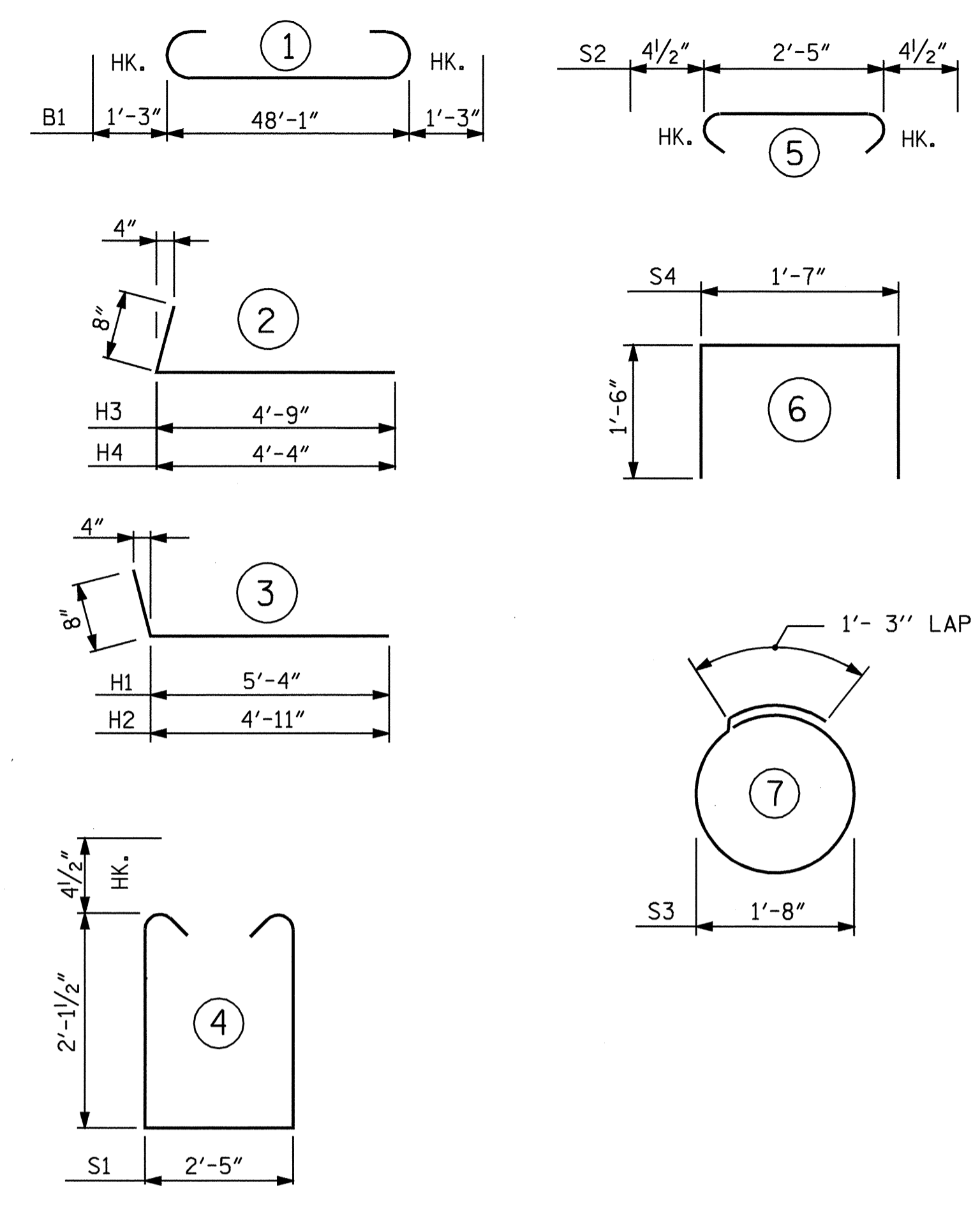
TEMPORARY DRAINAGE AT END BENT



PILE SPLICE DETAILS

* POSITION OF PILE DURING WELDING.

BAR TYPES

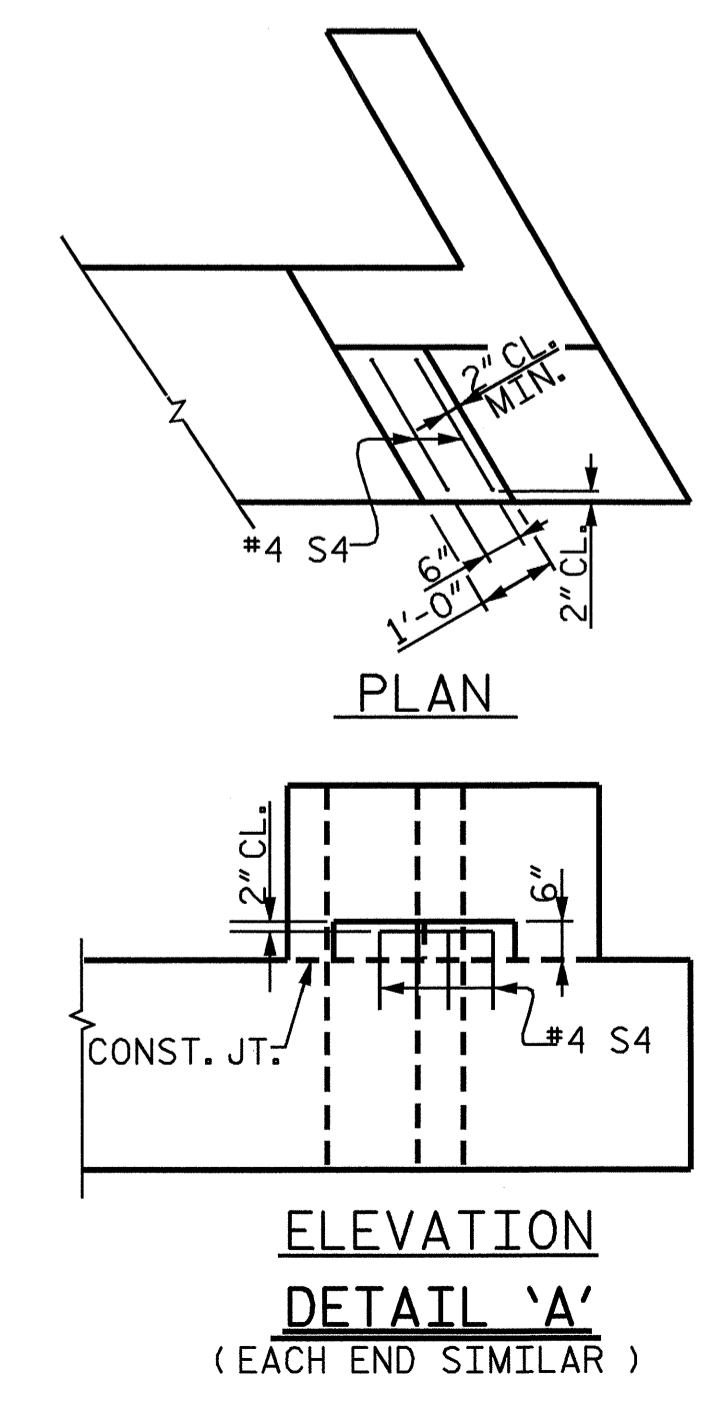


ALL BAR DIMENSIONS ARE OUT TO OUT.

BILL OF MATERIAL

END BENT NO. 2					
BAR	NO.	SIZE	TYPE	LENGTH	WEIGHT
B1	8	#9	1	50'-7"	1376
B2	2	#5	STR	48'-3"	101
B3	8	#4	STR	25'-4"	135
B4	12	#4	STR	2'-5"	19
D1	24	#6	STR	1'-6"	54
H1	5	#4	3	6'-0"	20
H2	5	#4	3	5'-7"	19
H3	5	#4	2	5'-5"	18
H4	5	#4	2	5'-0"	17
S1	44	#4	4	7'-5"	218
S2	44	#4	5	3'-2"	93
S3	14	#4	7	6'-6"	61
S4	4	#4	6	4'-7"	12
K1	8	#4	STR	2'-11"	16
V1	20	#4	STR	3'-11"	52
V2	20	#4	STR	4'-0"	53

REINFORCING STEEL =	2264	LB
CLASS A CONCRETE		
POUR #1 CAP AND LOWER PART OF WINGS	CU. YDS.	13.4
POUR #2 UPPER PART OF WINGS	CU. YDS.	1.0
POUR #3 LATERAL GUIDE	CU. YDS.	0.1
TOTAL	CU. YDS.	14.5
HP 12x53 STEEL PILES		
NO.	7	LIN. FT. 210



PROJECT NO. B-4320
WAYNE/DUPLIN COUNTY
 STATION: 16+47.50 -L-
 SHEET 3 OF 3

STATE OF NORTH CAROLINA DEPARTMENT OF TRANSPORTATION RALEIGH					
SUBSTRUCTURE END BENT 2					
REVISIONS					
NO.	BY:	DATE:	NO.	BY:	DATE:
1			3		
2			4		