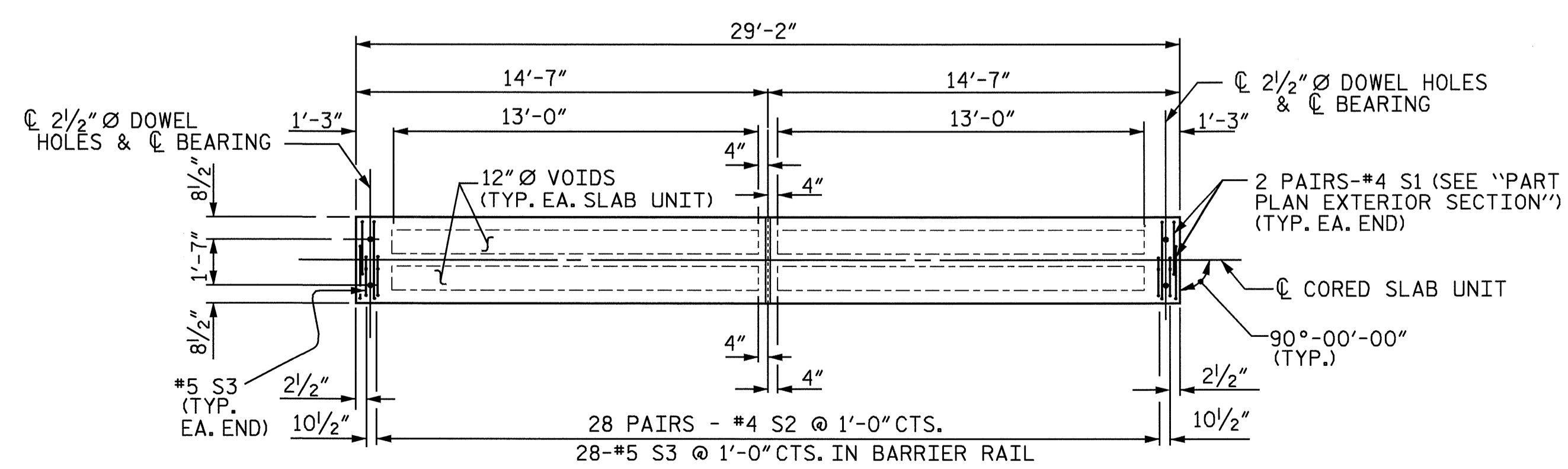


SPAN A



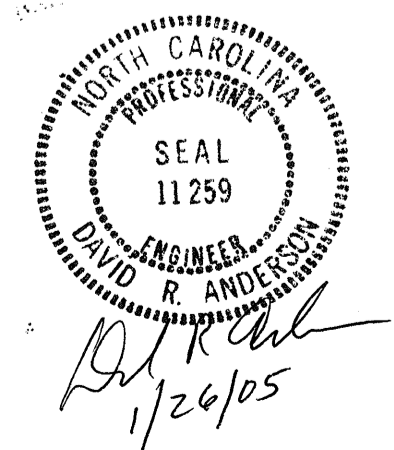
PLAN OF EXTERIOR SLAB

PLAN FOR INTERIOR SLAB IDENTICAL EXCEPT OMIT S3 BARS

PROJECT NO. B-3906
SAMPSON COUNTY
 STATION: 22+15.00 -L-

SHEET 2 OF 6

STATE OF NORTH CAROLINA DEPARTMENT OF TRANSPORTATION RALEIGH					
SUPERSTRUCTURE PLAN OF SPAN A					
REVISIONS					SHEET NO.
NO.	BY:	DATE:	NO.	BY:	DATE:
1			3		
2			4		
TOTAL SHEETS					38



DRAWN BY: N. Q. TRAN DATE: 2/21/04
 CHECKED BY: S. M. RASHIDI DATE: 8-23-04