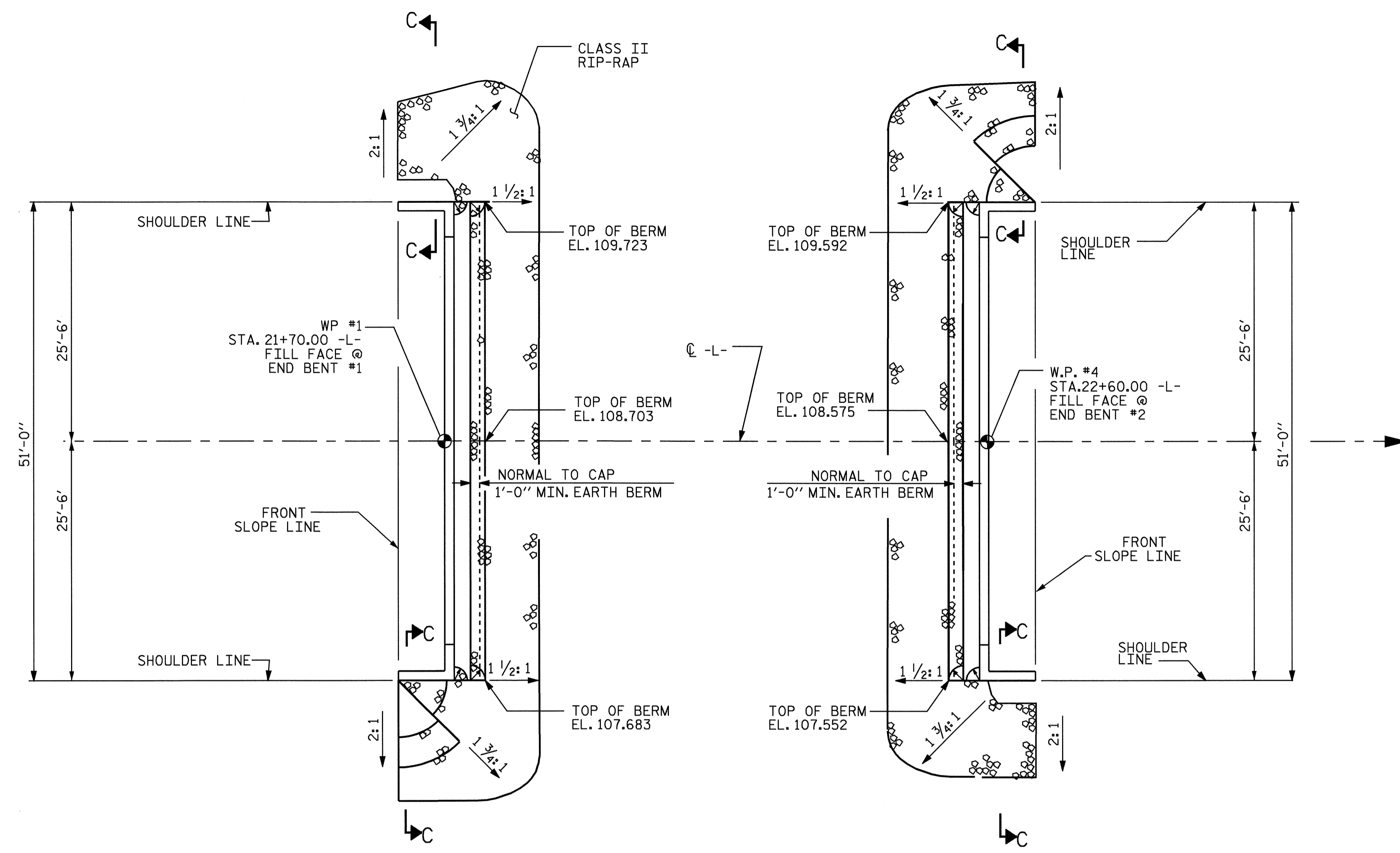
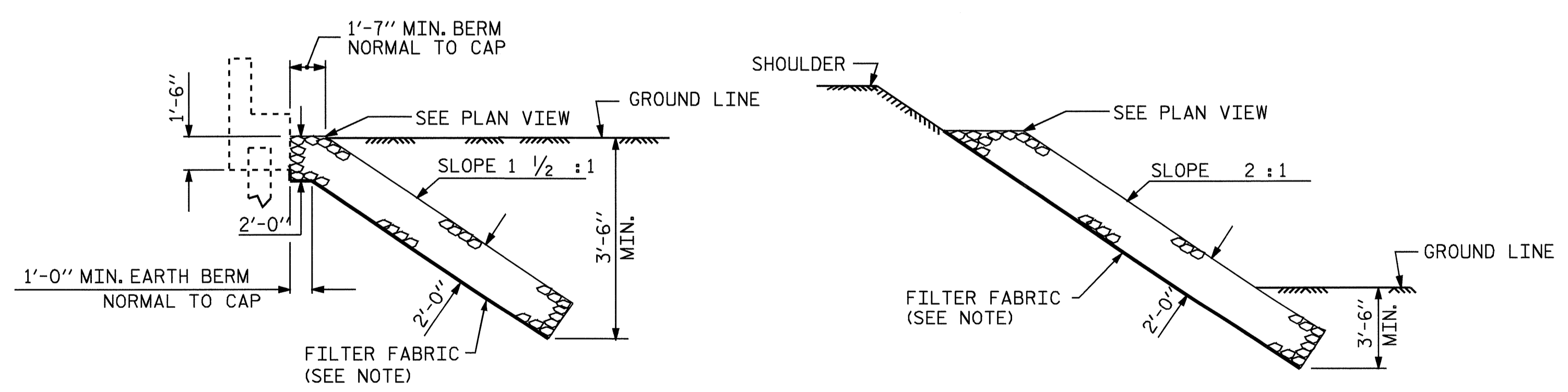


NOTES : FILTER FABRIC SHALL BE PLACED UNDER ENTIRE AREA OF RIP RAP.
 FILTER FABRIC IS INCIDENTAL TO THE COST OF THE CLASS II RIP RAP.



ESTIMATED QUANTITIES		
BRIDGE @ STA. 22+15.00 -L-	PLAIN RIP RAP CLASS II	FILTER FABRIC FOR DRAINAGE
	TONS	SQUARE YARDS
END BENT 1	105	115
END BENT 2	95	105

PLAN OF RIP RAP



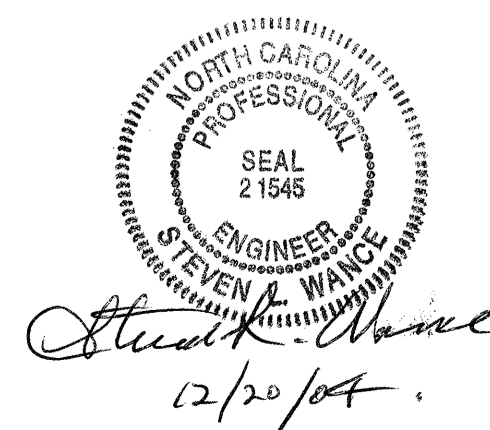
SECTION BERM RIP RAPPED

SECTION C-C

PROJECT NO. B-3906
SAMPSON COUNTY
 STATION: 22+15.00 -L-

STATE OF NORTH CAROLINA
 DEPARTMENT OF TRANSPORTATION
 RALEIGH

== RIP RAP DETAILS ==



DRAWN BY : N.Q. TRAN DATE : 9-04
 CHECKED BY : SWANcPE DATE : 10-04

REVISIONS					SHEET NO.
NO.	BY:	DATE:	NO.	BY:	DATE:
1			3		
2			4		

S-16
TOTAL SHEETS
38