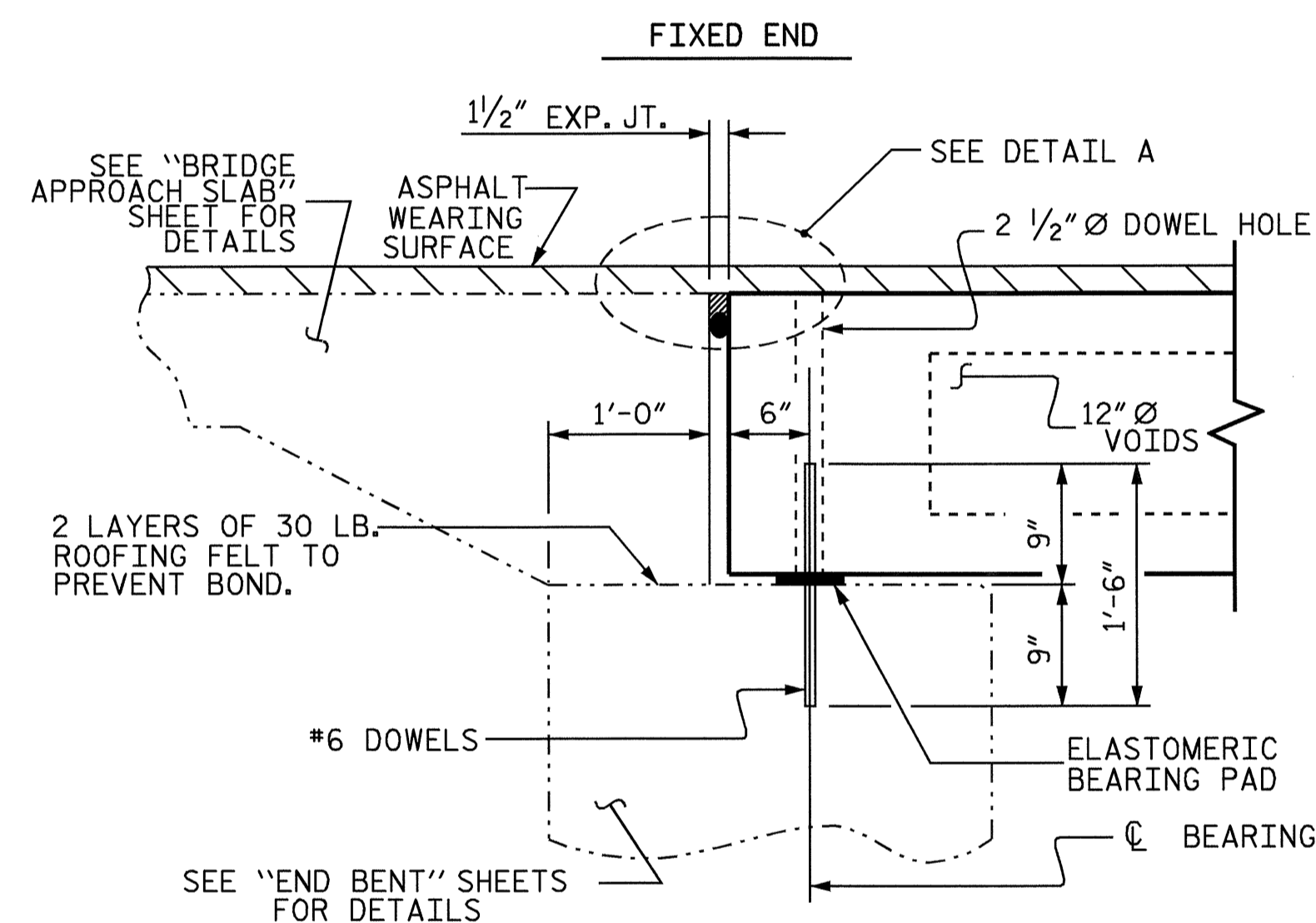


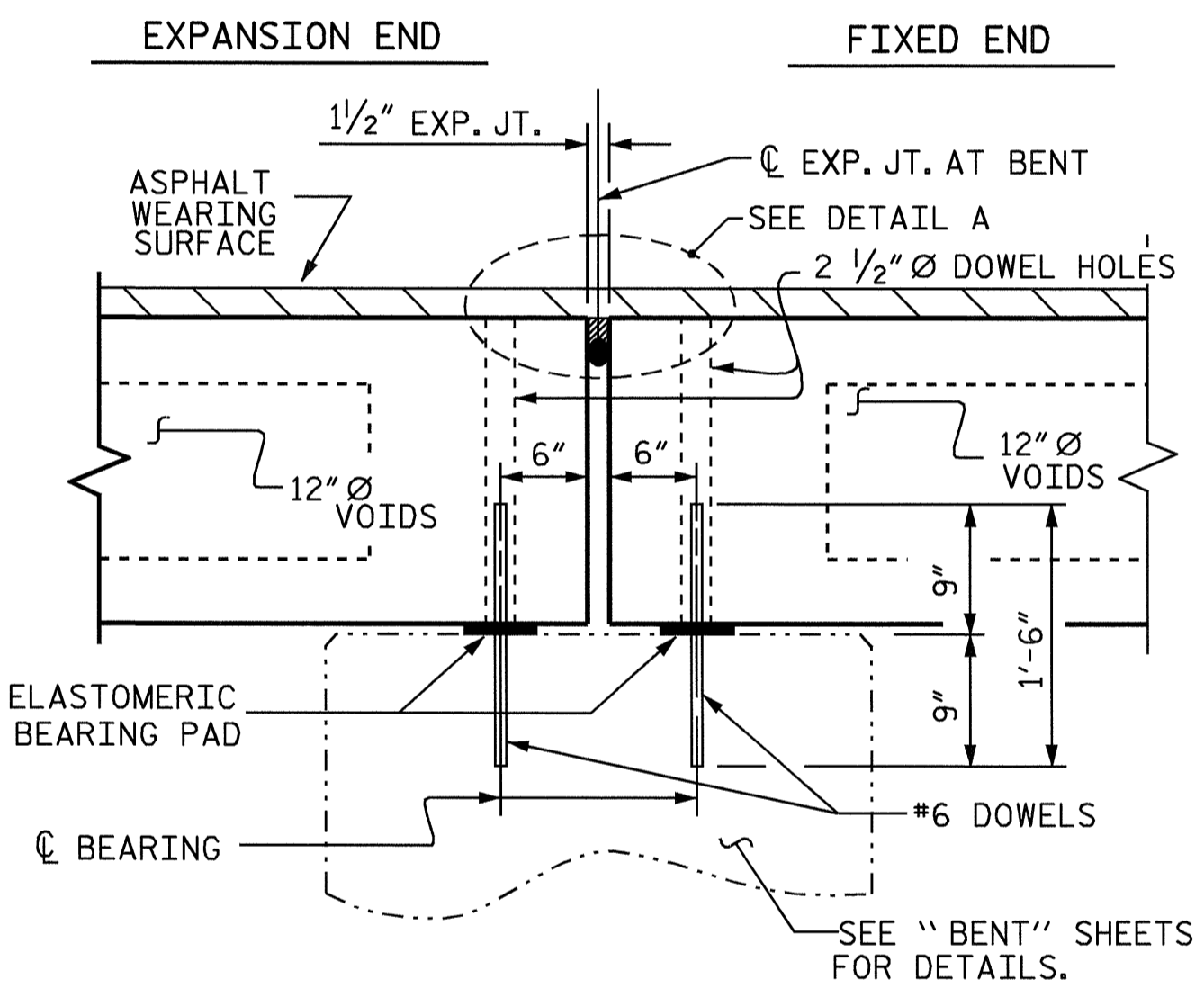
HALF SECTION
AT INTERMEDIATE DIAPHRAGM

HALF SECTION
AT BENTS AND END BENTS

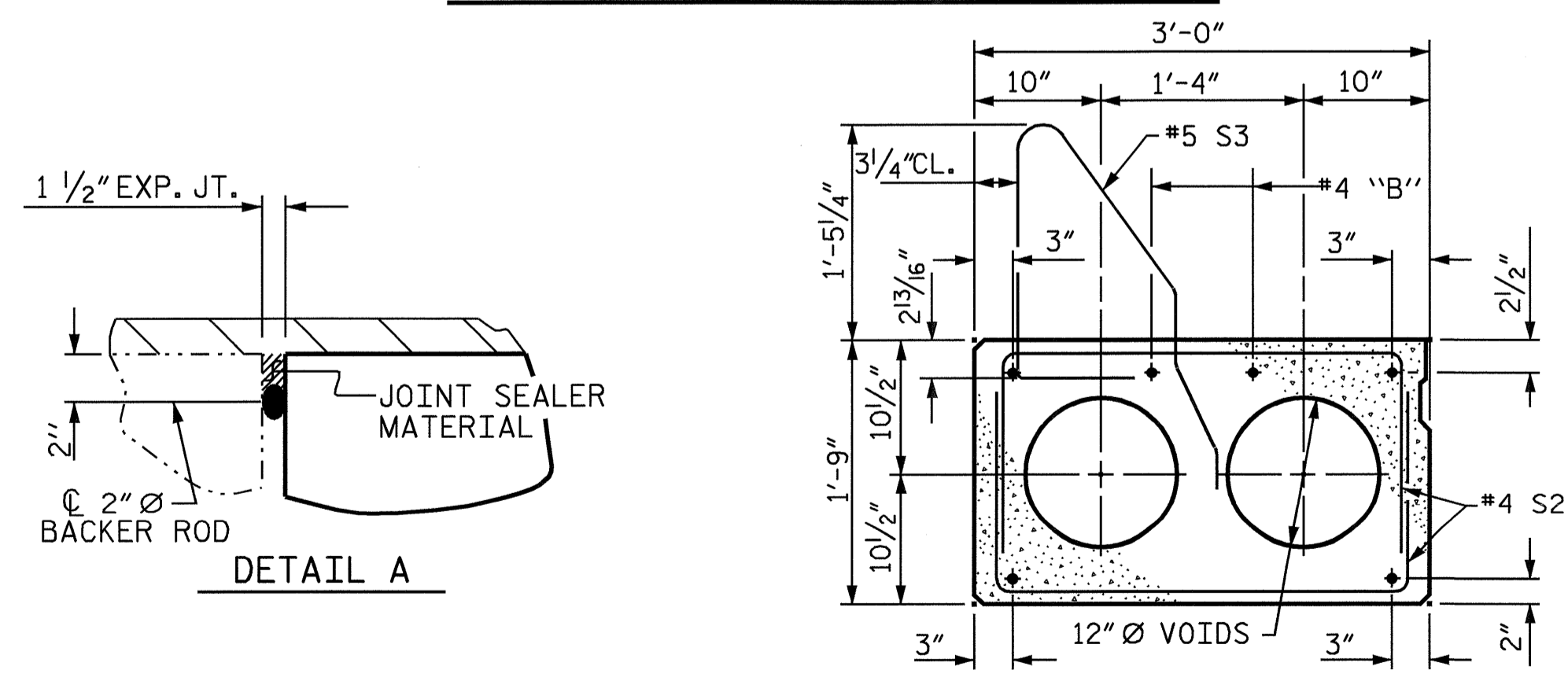
TYPICAL SECTION



SECTION AT END BENT

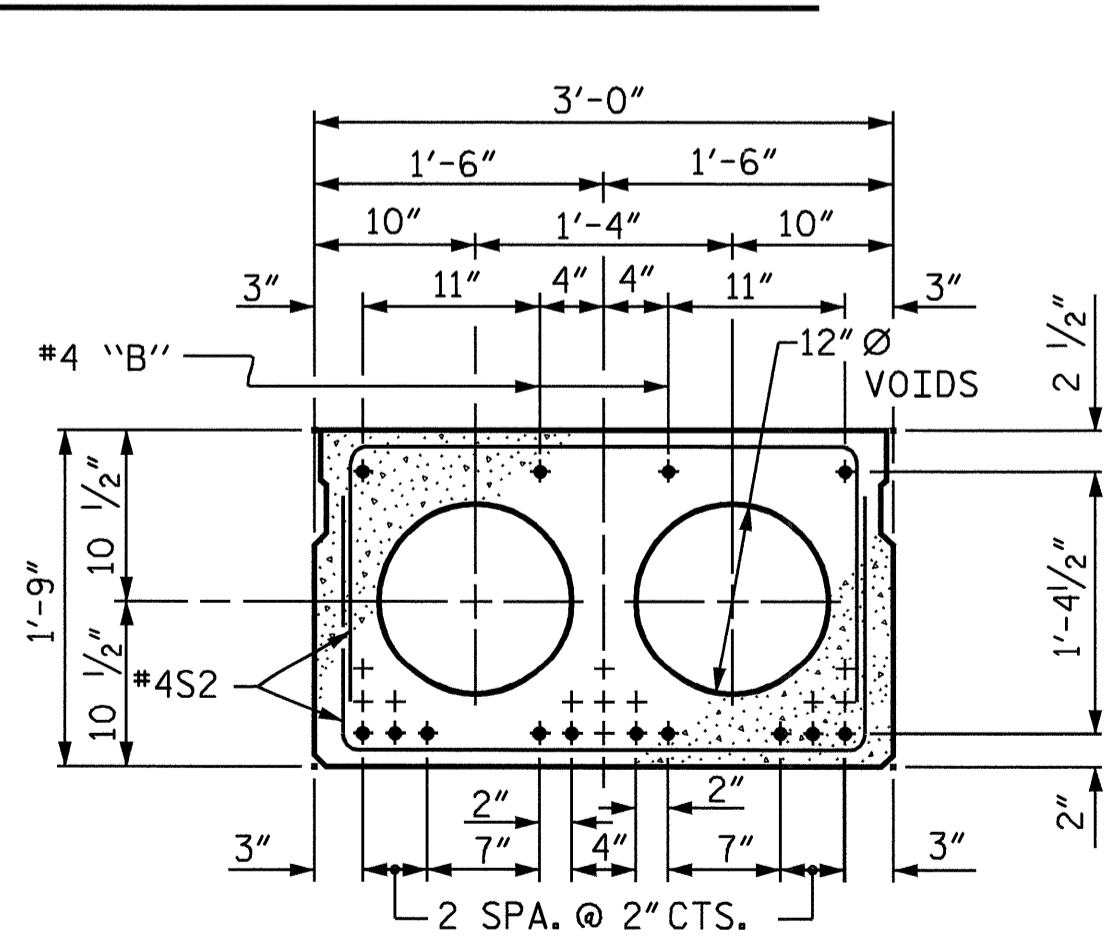


SECTION AT BENT



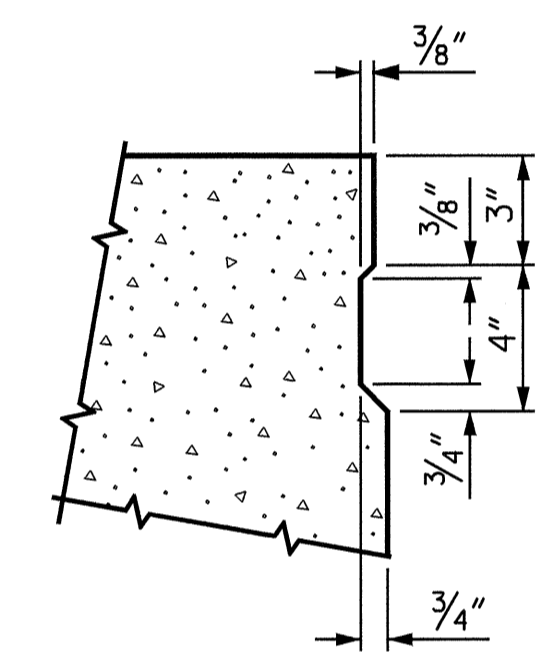
EXTERIOR SLAB SECTION

(FOR PRESTRESSED STRAND LAYOUT, SEE INTERIOR SLAB SECTION.)

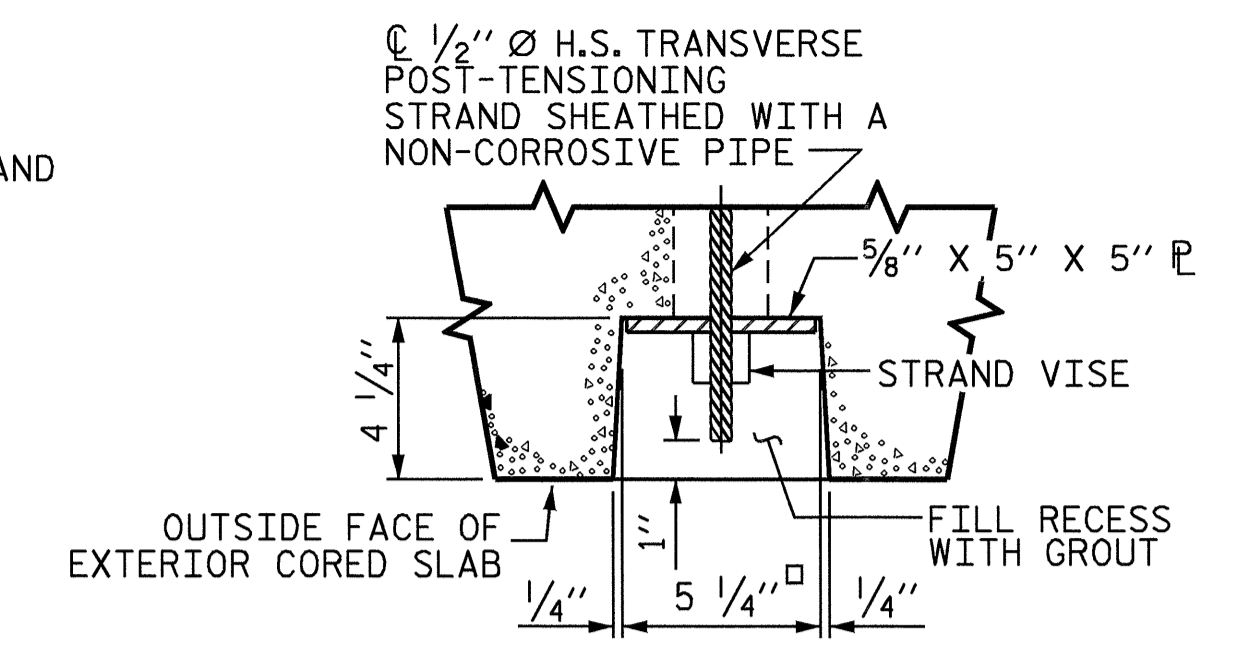


INTERIOR SLAB SECTION

1/2" Ø LOW RELAXATION STRAND LAYOUT



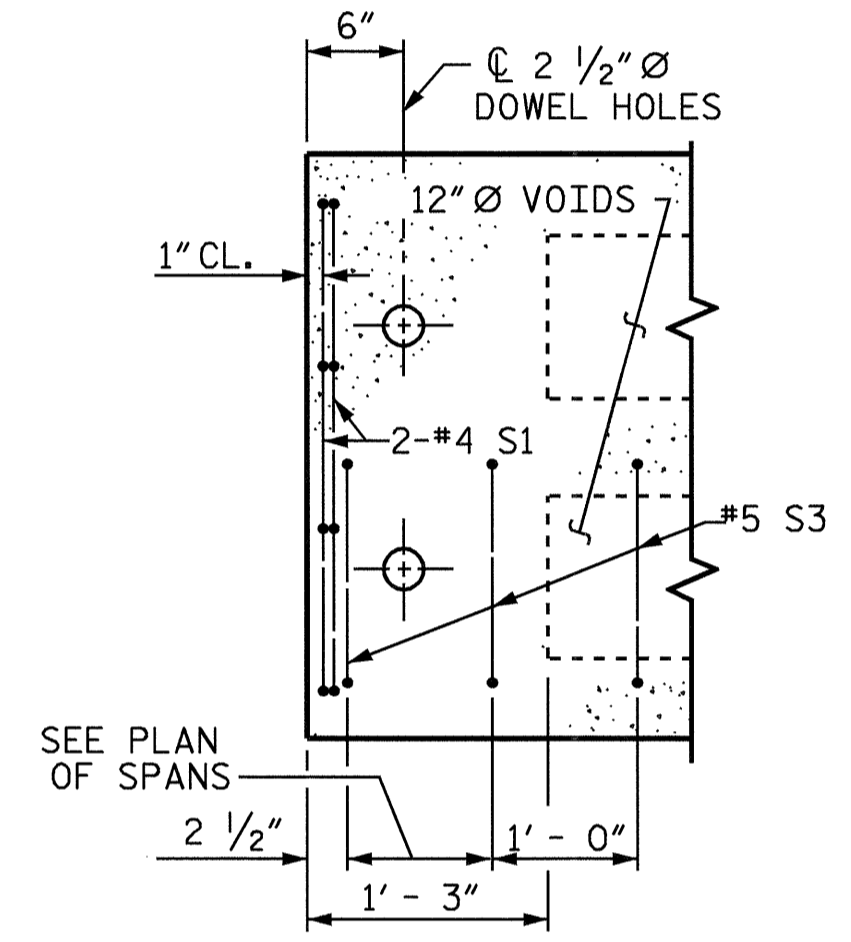
SHEAR KEY DETAIL
NOTE: OMIT SHEAR KEY ON OUTSIDE FACE OF EXTERIOR CORED SLABS.



ELEVATION VIEW

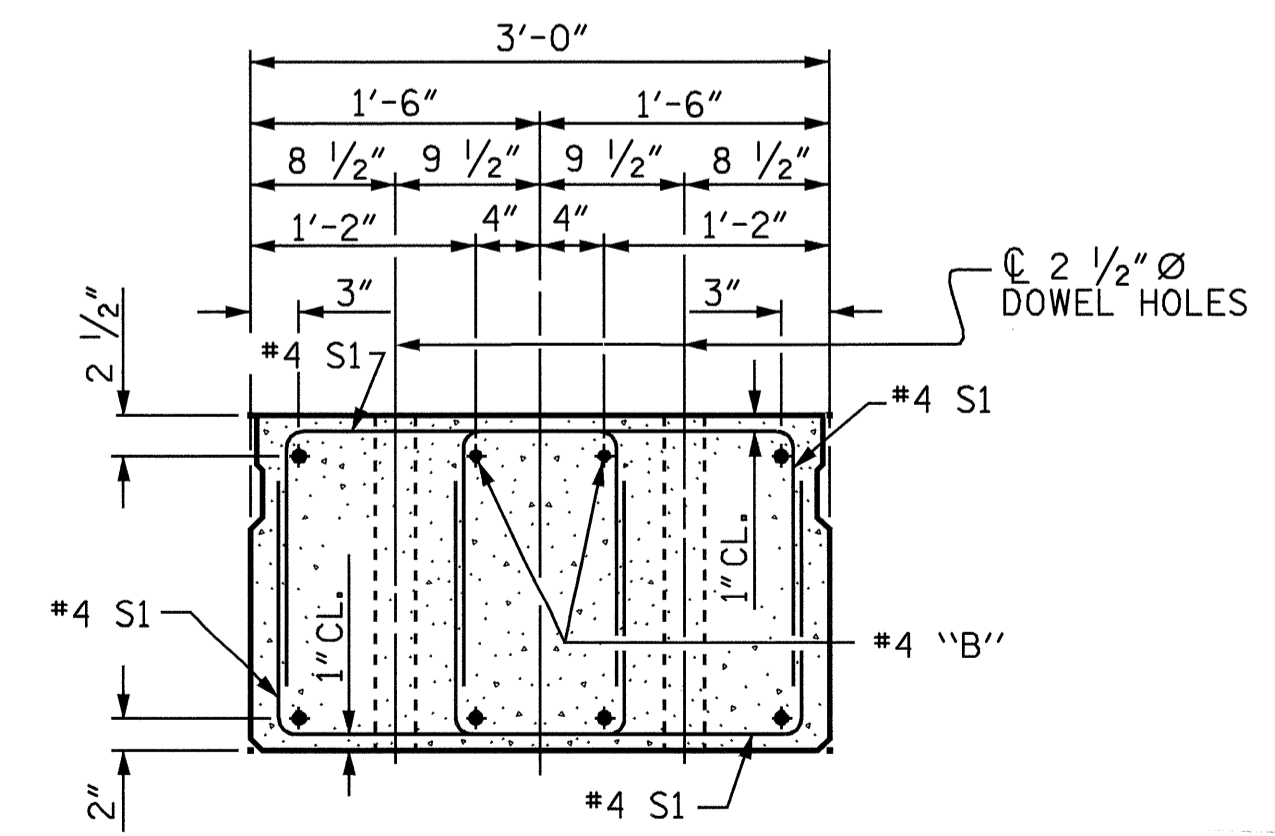
SECTION B-B

GROUTED RECESS AT END OF POST-TENSIONED STRAND CORED SLABS



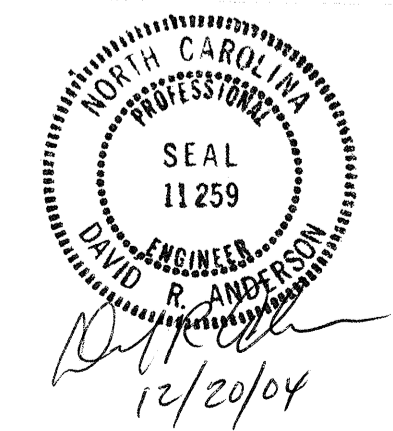
PART PLAN-EXTERIOR SECTION

NOTE: EXTERIOR SECTION SHOWN-INTERIOR SECTION SIMILAR EXCEPT OMIT S3 BARS.



END ELEVATION

SHOWING PLACEMENT OF DOUBLE STIRRUPS AND LOCATION OF DOWEL HOLES. (STRAND LAYOUT NOT SHOWN.) INTERIOR SLAB SECTION SHOWN-EXTERIOR SLAB SECTION SIMILAR EXCEPT SHEAR KEY LOCATION.



PROJECT NO. B-3906
SAMPSON COUNTY
STATION: 28+52.50 -L-

SHEET 1 OF 6

STATE OF NORTH CAROLINA
DEPARTMENT OF TRANSPORTATION
RALEIGH
STANDARD
3'-0" X 1'-9"
PRESTRESSED CONCRETE
CORED SLAB UNITS

REVISIONS						SHEET NO.	
NO.	BY:	DATE:	NO.	BY:	DATE:	S-23	
1			3			TOTAL SHEETS	
2			4			33	

DRAWN BY: N. Q. TRAN DATE: 4/4/04
CHECKED BY: S. M. RASHIDI DATE: 8/23/04