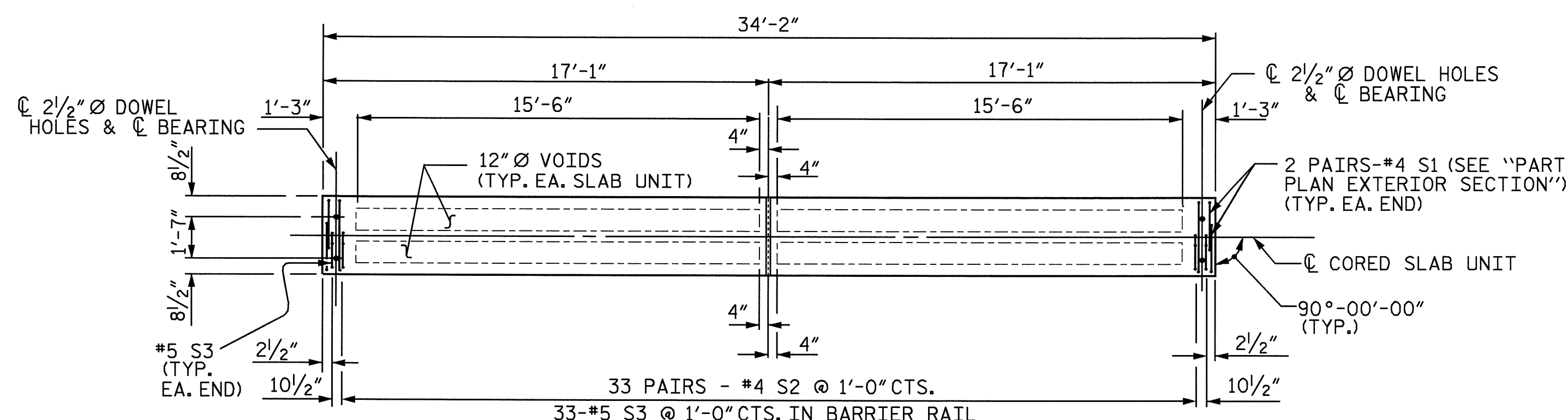


SPLICE LENGTH  
#4B1 1'-9"

**SPAN A**



**PLAN OF EXTERIOR SLAB**

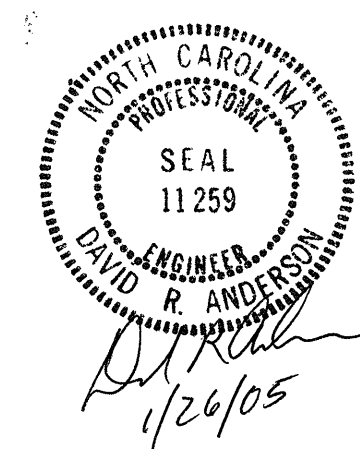
PLAN FOR INTERIOR SLAB IDENTICAL EXCEPT OMIT S3 BARS

PROJECT NO. B-3906  
SAMPSON COUNTY  
 STATION: 28+52.50 -L-

SHEET 2 OF 6

STATE OF NORTH CAROLINA  
 DEPARTMENT OF TRANSPORTATION  
 RALEIGH

**SUPERSTRUCTURE  
 PLAN OF SPAN A**



DRAWN BY: N. Q. TRAN DATE: 2/21/04  
 CHECKED BY: S. M. RASHIDI DATE: 8/23/04

REVISIONS						SHEET NO.
NO.	BY:	DATE:	NO.	BY:	DATE:	TOTAL SHEETS
1			3			38
2			4			