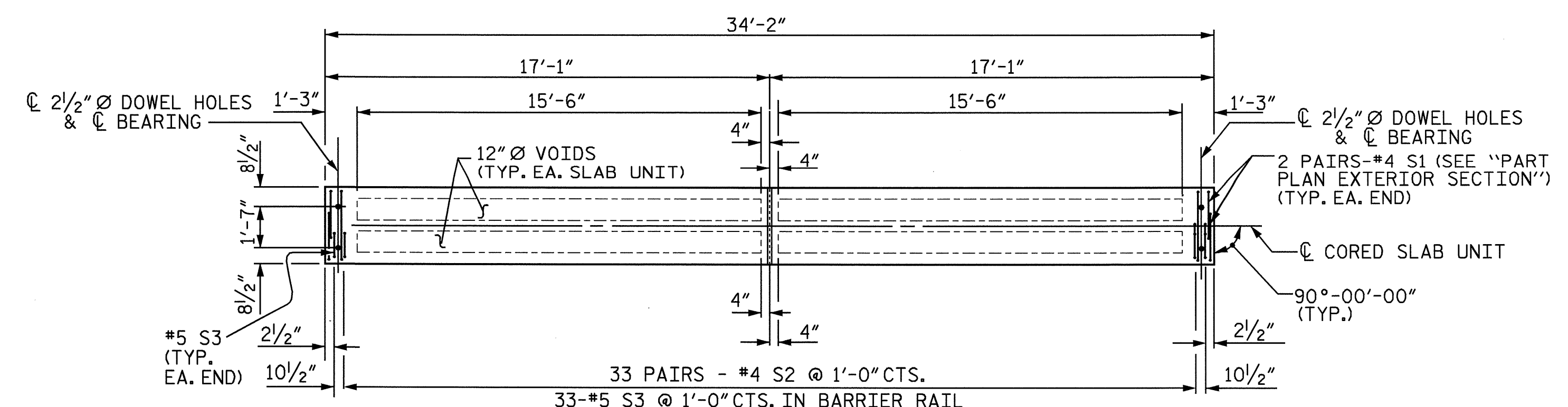


SPLICE LENGTH
#4B1 1'-9"

SPAN B



PLAN OF EXTERIOR SLAB

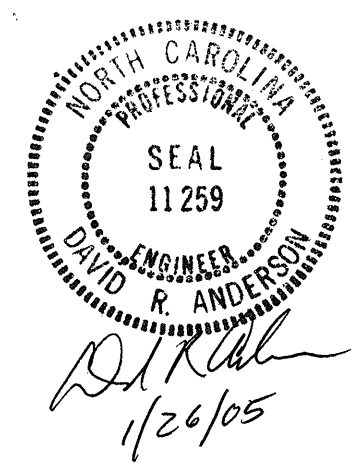
PLAN FOR INTERIOR SLAB IDENTICAL EXCEPT OMIT S3 BARS

PROJECT NO. B-3906
SAMPSON COUNTY
 STATION: 28+52.50 -L-

SHEET 3 OF 6

STATE OF NORTH CAROLINA
 DEPARTMENT OF TRANSPORTATION
 RALEIGH

**SUPERSTRUCTURE
 PLAN OF SPAN B**



DRAWN BY: N. Q. TRAN DATE: 2/21/04
 CHECKED BY: S. M. RASHIDI DATE: 8/23/04

REVISIONS						SHEET NO.	
NO.	BY:	DATE:	NO.	BY:	DATE:	S-25	
1			3			TOTAL SHEETS	
2			4			38	