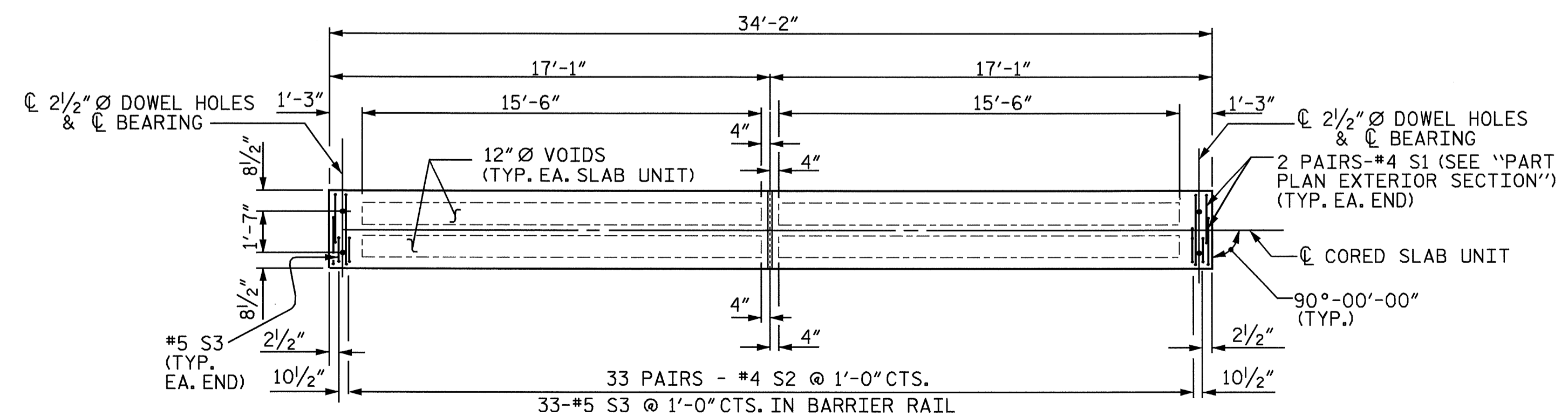


**SPAN C**



**PLAN OF EXTERIOR SLAB**

PLAN FOR INTERIOR SLAB IDENTICAL EXCEPT OMIT S3 BARS

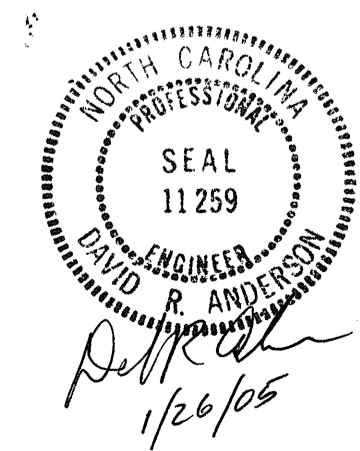
SPLICE LENGTH  
#4B1 1'-9"

PROJECT NO. B-3906  
SAMPSON COUNTY  
 STATION: 28+52.50 -L-

SHEET 4 OF 6

STATE OF NORTH CAROLINA  
 DEPARTMENT OF TRANSPORTATION  
 RALEIGH

**SUPERSTRUCTURE  
 PLAN OF SPAN C**



REVISIONS						SHEET NO.
NO.	BY:	DATE:	NO.	BY:	DATE:	S-26
1			3			TOTAL SHEETS
2			4			30

DRAWN BY : N. Q. TRAN DATE : 2/21/04  
 CHECKED BY : S. M. RASHIDI DATE : 8/23/04