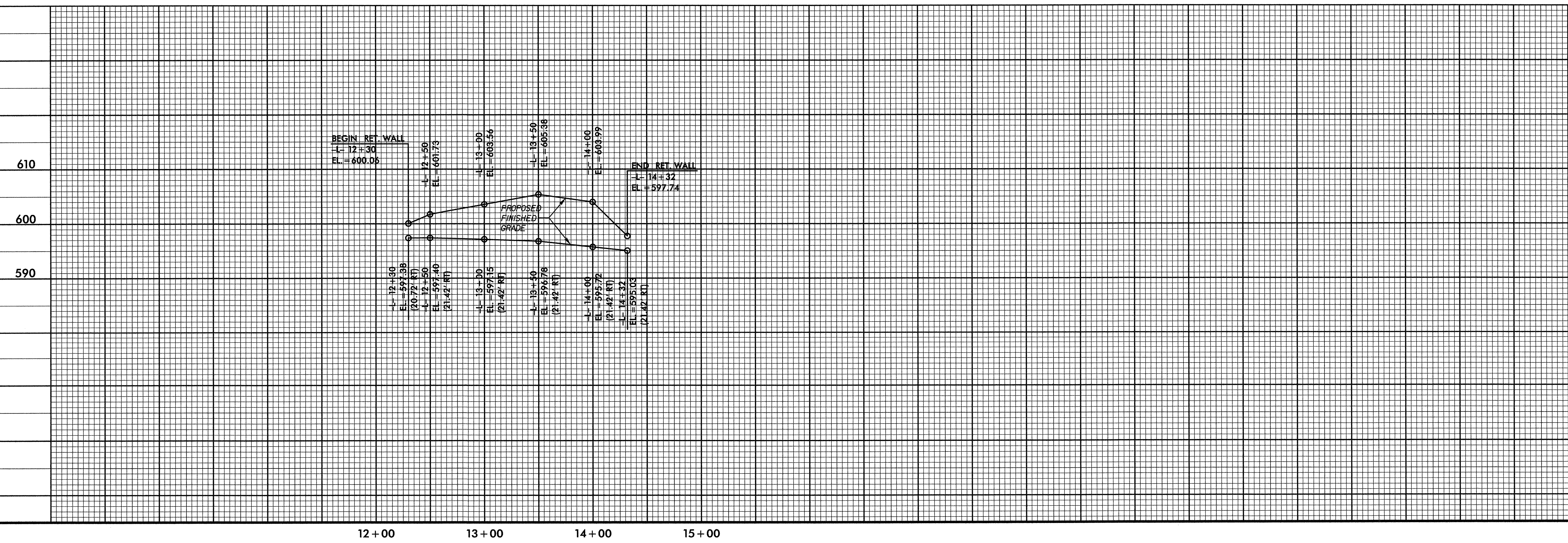
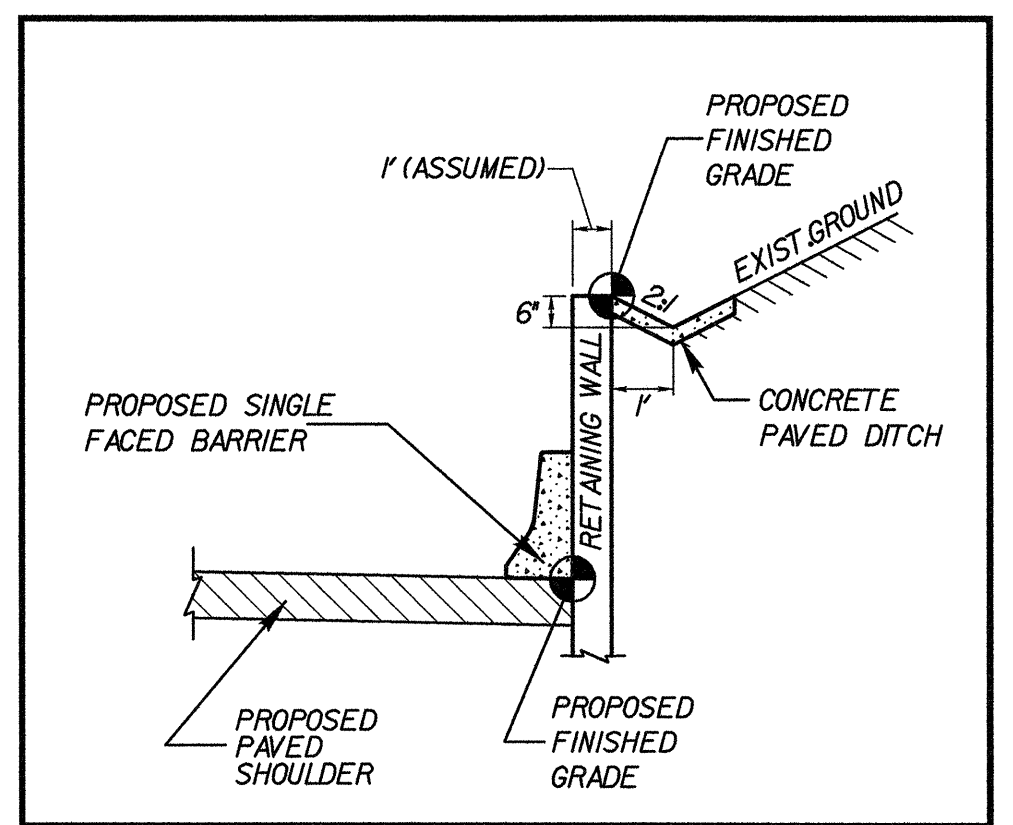
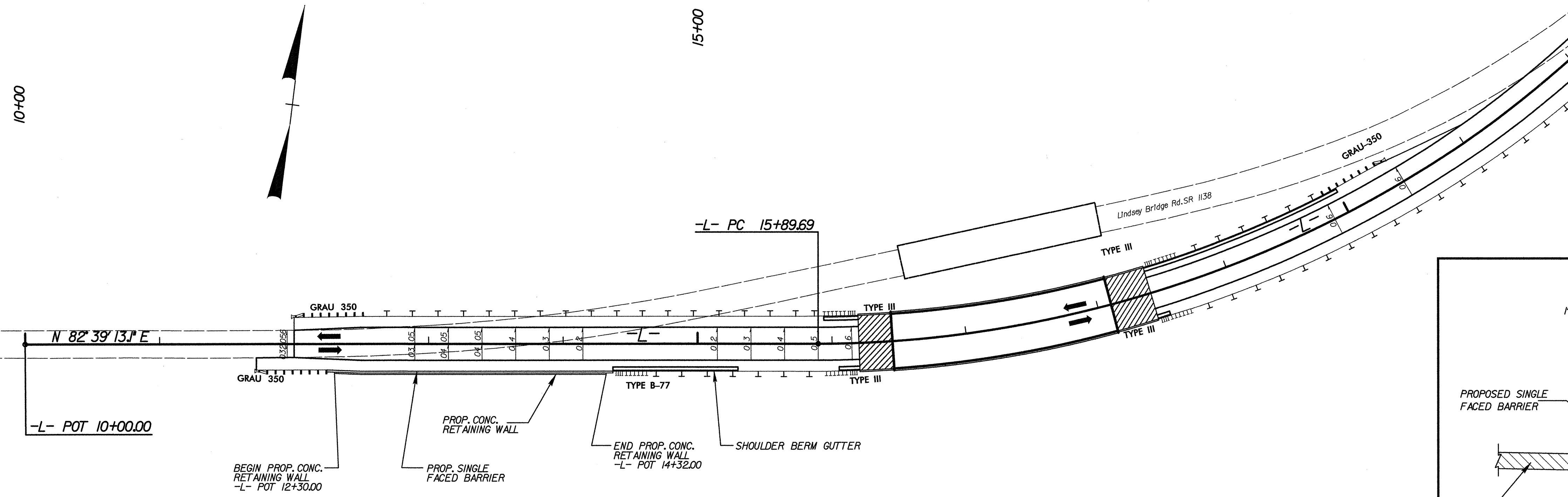


RETAINING WALL ENVELOPE DETAIL

00-02

PROJECT REFERENCE NO. B-3694		SHEET NO. 2-A	
RW SHEET NO.			
ROADWAY DESIGN ENGINEER		HYDRAULICS ENGINEER	
TGS ENGINEERS SUITE 141 975 WALNUT STREET CARY, NC 27511 PH (919) 319-8850			



C:\PROJECTS\B3694\DWG\RETEN.DWG