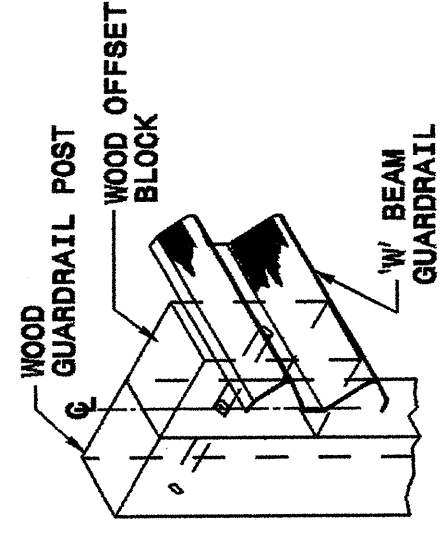
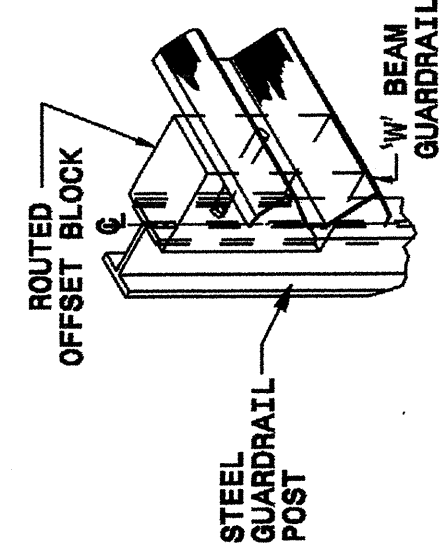
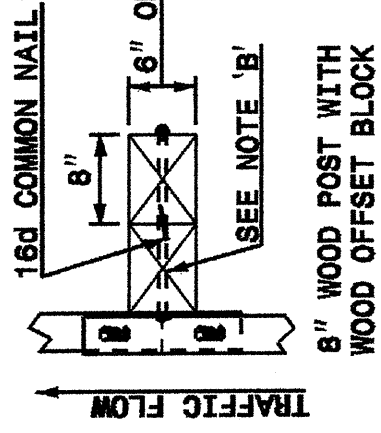
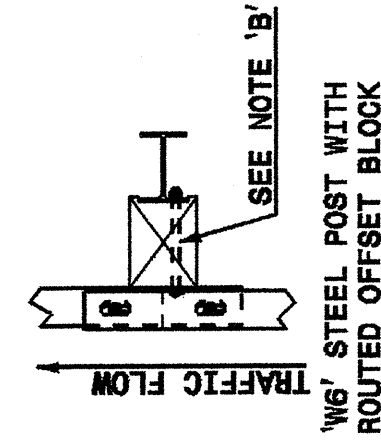
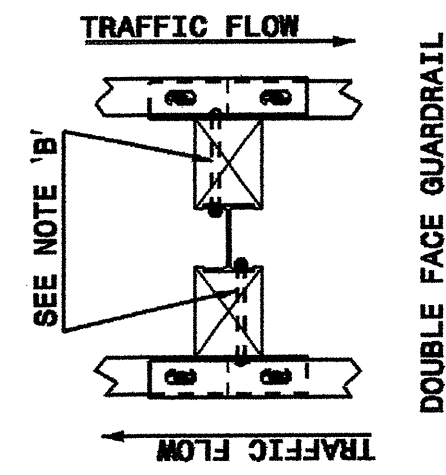


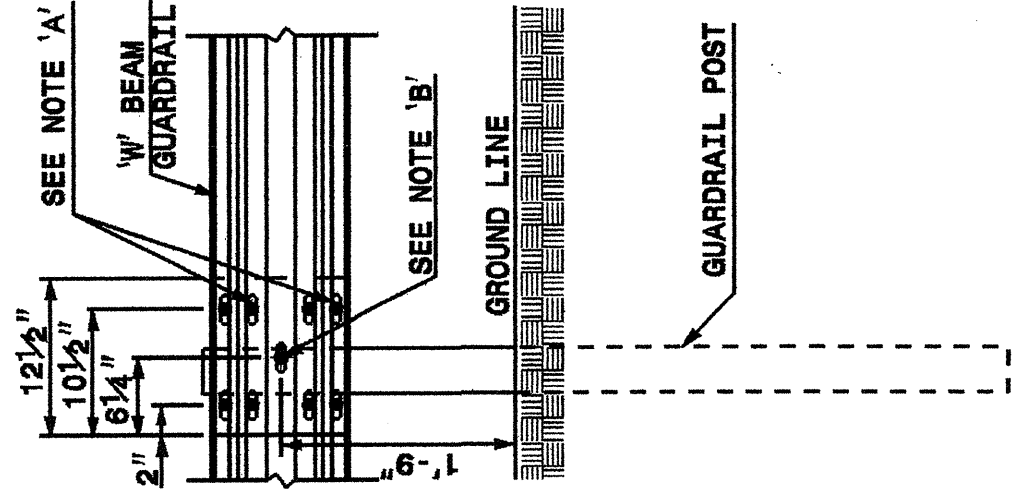
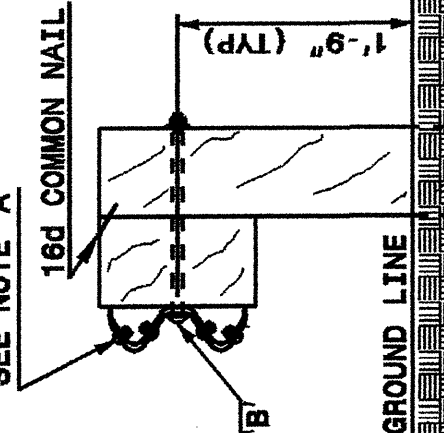
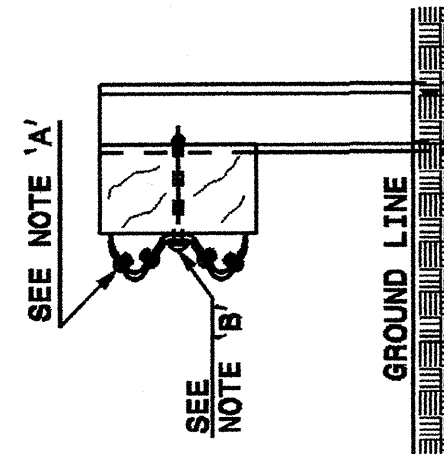
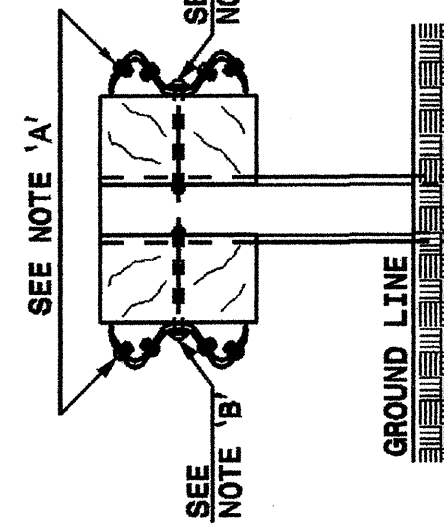
STATE OF  
 NORTH CAROLINA  
 DEPT. OF TRANSPORTATION  
 DIVISION OF HIGHWAYS  
 RALEIGH, N.C.

STATE OF  
 NORTH CAROLINA  
 DEPT. OF TRANSPORTATION  
 DIVISION OF HIGHWAYS  
 RALEIGH, N.C.



**PLAN**

**ISOMETRIC VIEWS**



**SIDE**

**FRONT**

ENGLISH DETAIL DRAWING FOR  
 GUARDRAIL INSTALLATION

SHEET 3 OF 7  
**862D02**

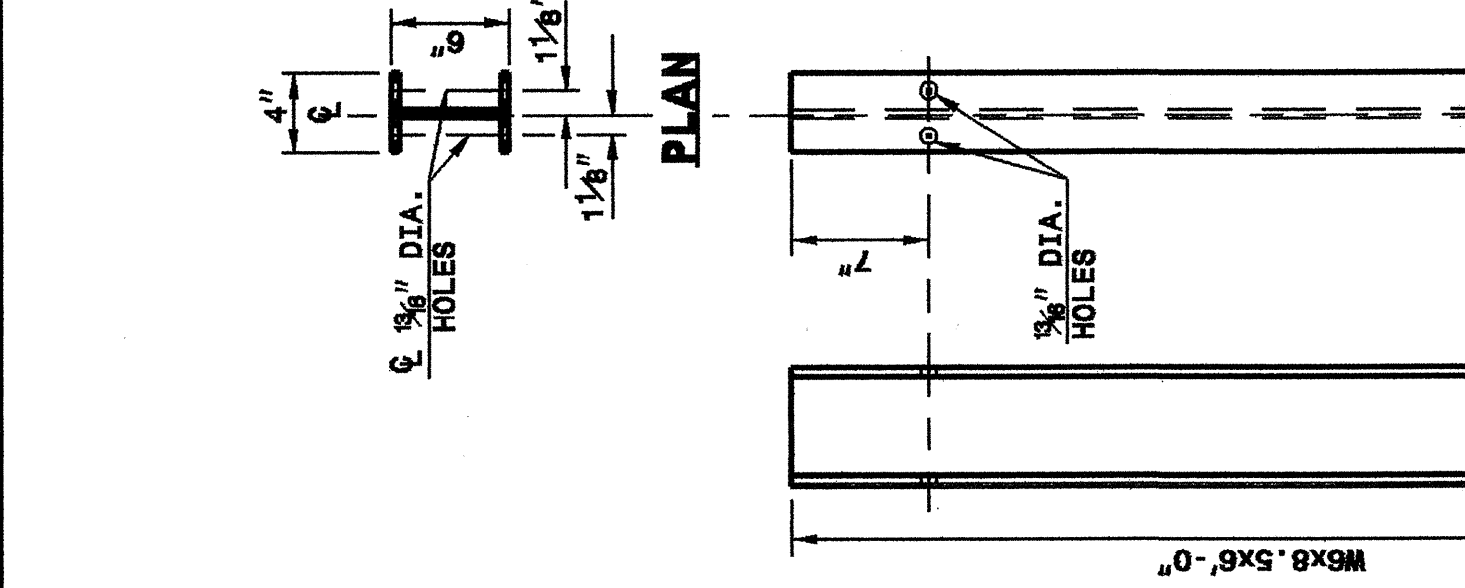
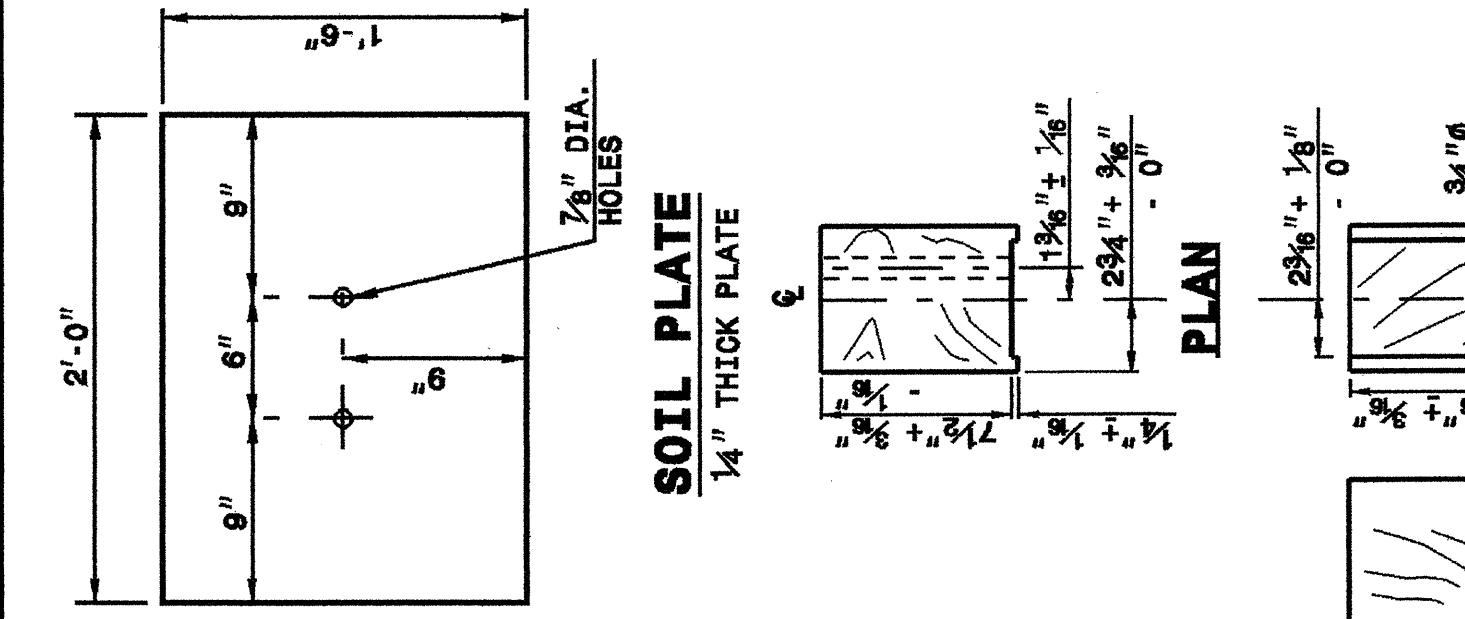
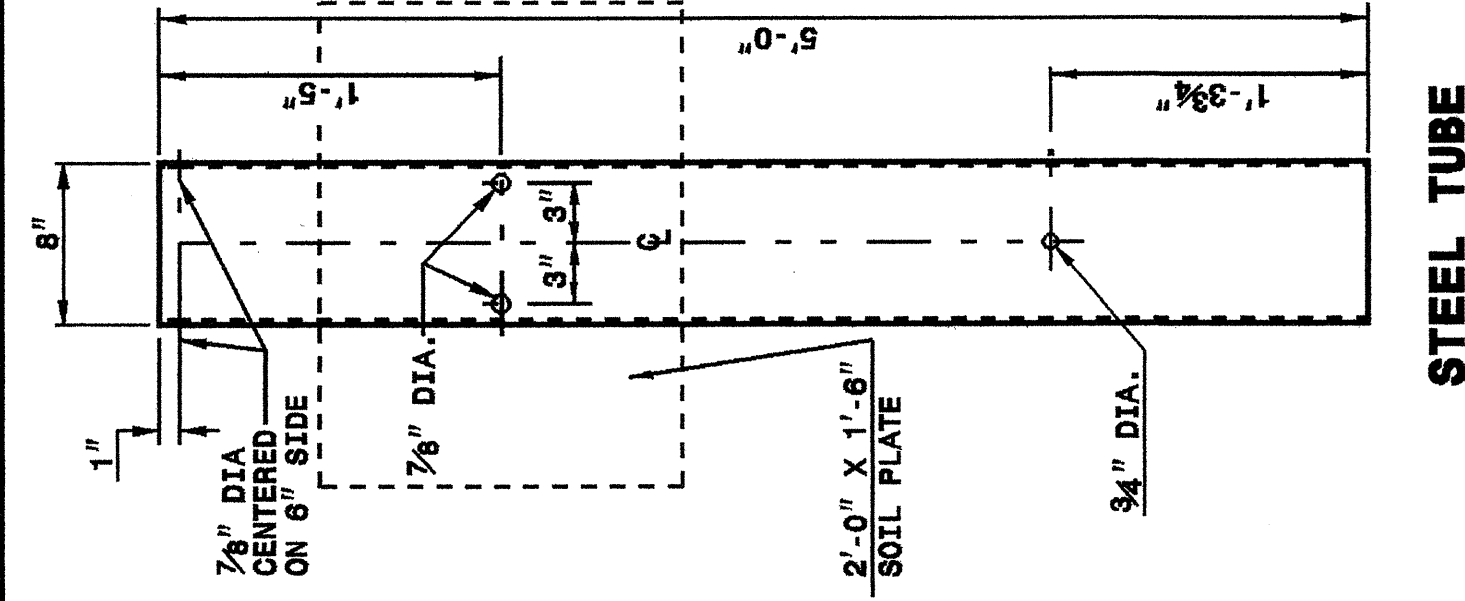
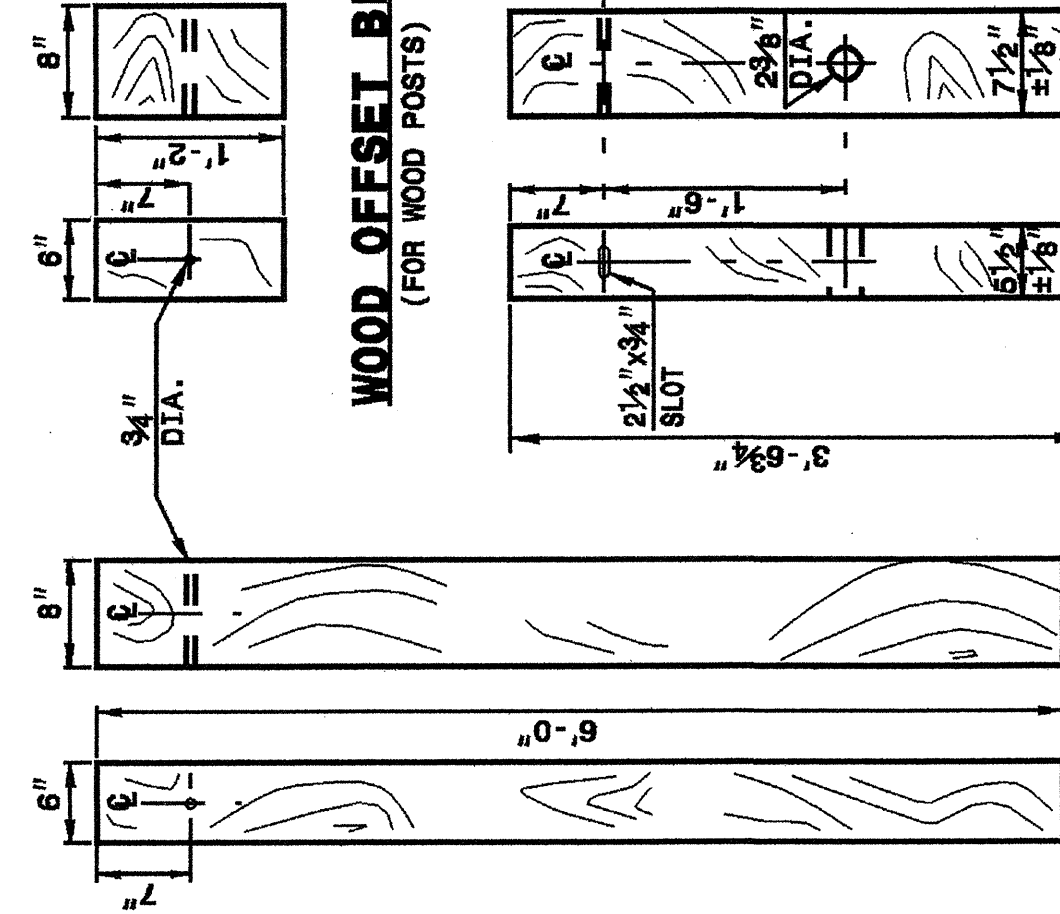
SHEET 3 OF 7  
**862D02**

NOTES:  
 A - 5/8" DIA. BUTTON HEAD SPLICE BOLT 1 1/4" LONG WITH STD. WASHER UNDER NUT (8 REQ. PER SPLICE JOINT).  
 B - 5/8" DIA. BUTTON HEAD BOLT 7 1/4" LONG WITH NUT FOR BOLTING 6" W/8" ROUTED OFFSET BLOCK TO STEEL POSTS OR  
 C - 5/8" DIA. BUTTON HEAD BOLT 18" LONG WITH STD. WASHER UNDER NUT FOR BOLTING TO WOOD POSTS (1 REQ. PER LOCATION)  
 C - FIELD PUNCHING OF HOLES INTO GUARDRAIL SHALL BE AS DIRECTED BY THE ENGINEER.

**TYPICAL GUARDRAIL AND GUARDRAIL POST ALTERNATIVES**

STATE OF  
 NORTH CAROLINA  
 DEPT. OF TRANSPORTATION  
 DIVISION OF HIGHWAYS  
 RALEIGH, N.C.

STATE OF  
 NORTH CAROLINA  
 DEPT. OF TRANSPORTATION  
 DIVISION OF HIGHWAYS  
 RALEIGH, N.C.



ENGLISH DETAIL DRAWING FOR  
 GUARDRAIL INSTALLATION

SHEET 4 OF 7  
**862D02**

SHEET 4 OF 7  
**862D02**

**SYSTEM PARTS**

DESIGN SERVICES UNIT  
 STANDARDS AND SPECIAL DESIGN  
 Office 919-250-4128 FAX 919-250-4119

**SEE PLATE FOR TITLE**

ORIGINAL BY: 2002 STD.862.02 DATE:  
 MODIFIED BY: E.E. WARD DATE: 02-09-03  
 CHECKED BY: DATE:

