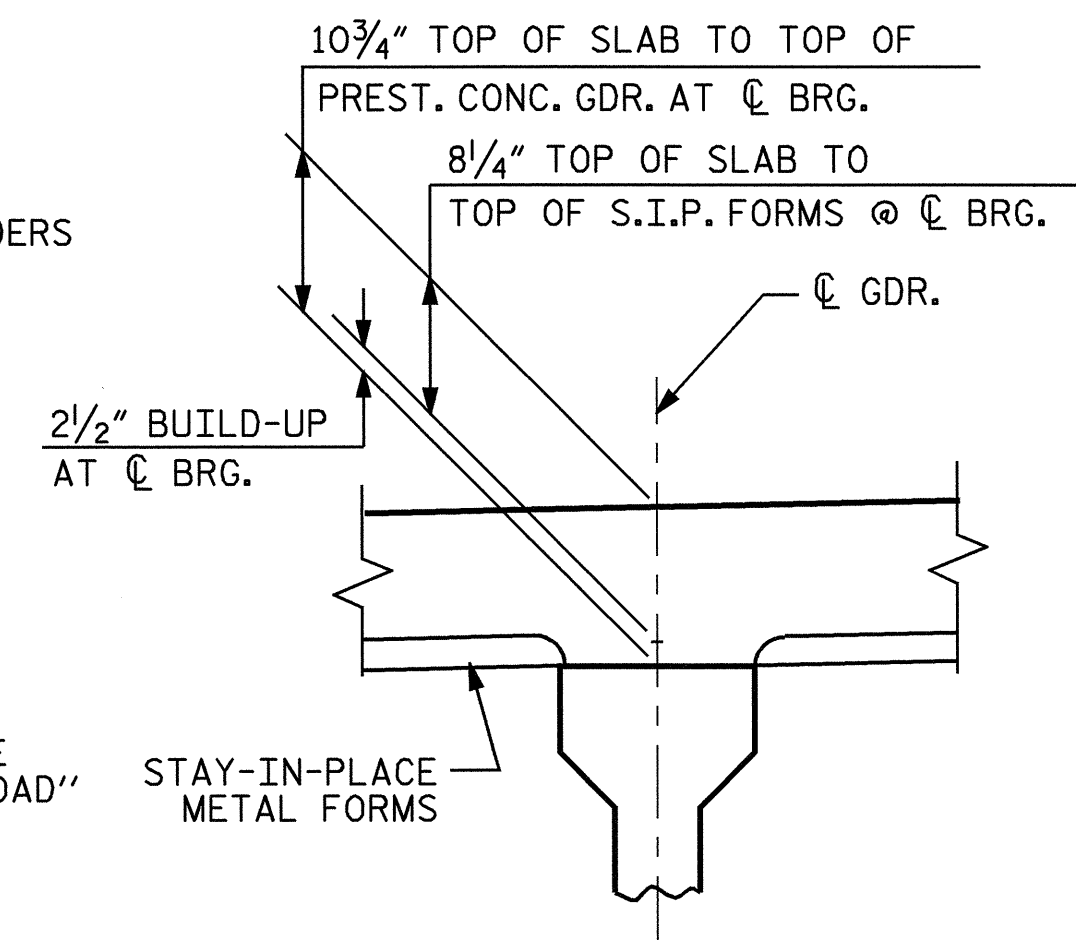


TYPICAL HALF-SECTION AT BENTS
(SHOWING CONTINUOUS FOR LIVE LOAD DIAPHRAGMS)

TYPICAL HALF-SECTION AT END BENTS
(SHOWING END BENT DIAPHRAGMS)

TYPICAL SECTION

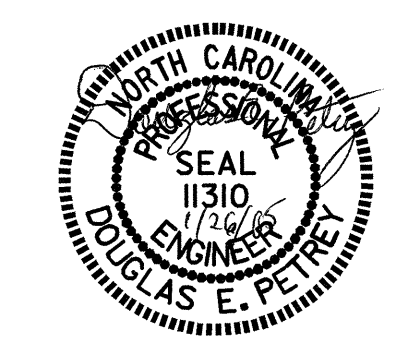


DETAIL A

PROJECT NO. B-3694
ROCKINGHAM COUNTY
STATION: 17+27.50 -L-

SHEET 1 OF 2

STATE OF NORTH CAROLINA DEPARTMENT OF TRANSPORTATION RALEIGH					
SUPERSTRUCTURE TYPICAL SECTION					
REVISIONS					
NO.	BY:	DATE:	NO.	BY:	DATE:
1			3		
2			4		
SHEET NO. S-5					TOTAL SHEETS 36



DRAWN BY: A.R.CHESSON DATE: 5-04
CHECKED BY: B.N.GRADY DATE: 7-04