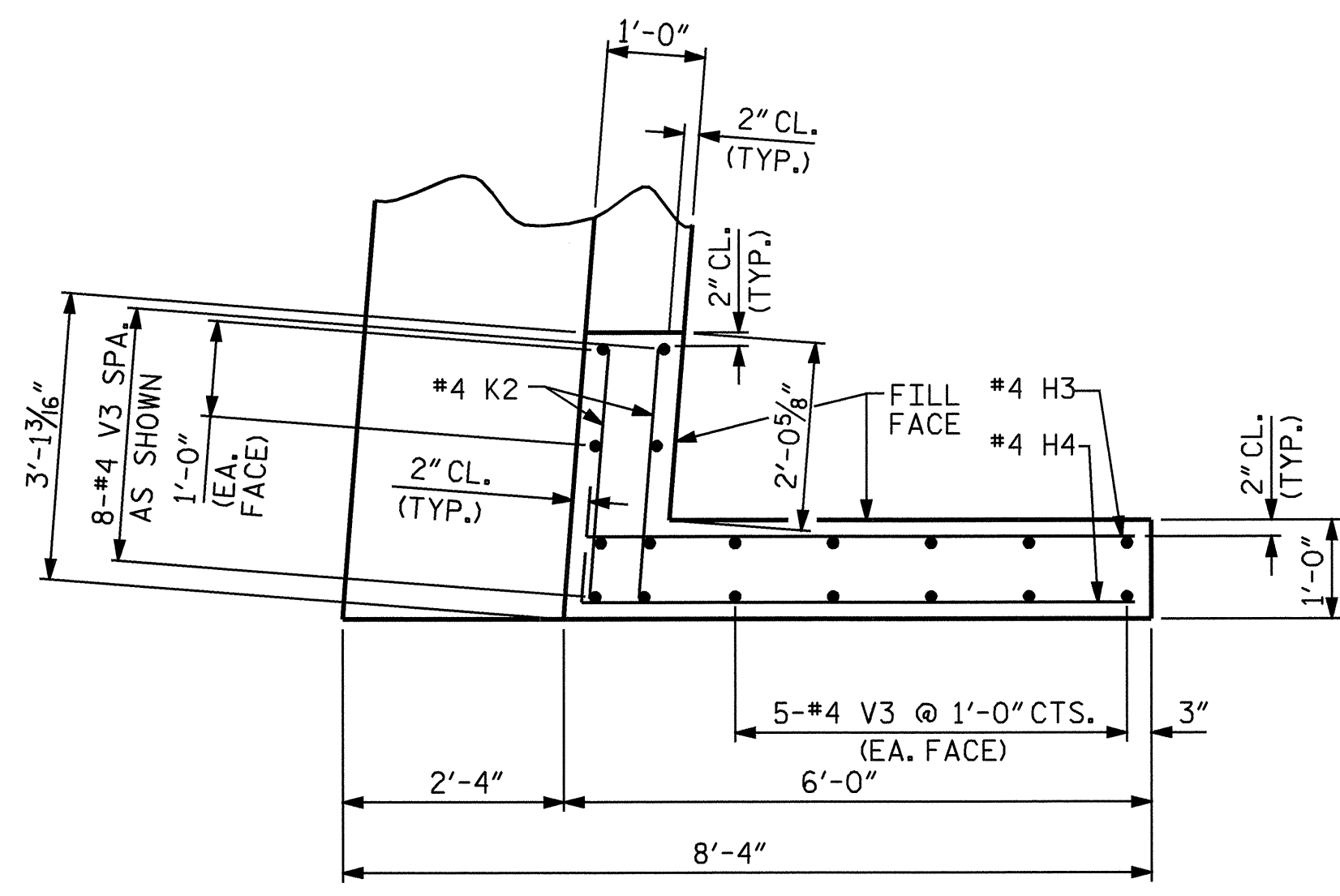
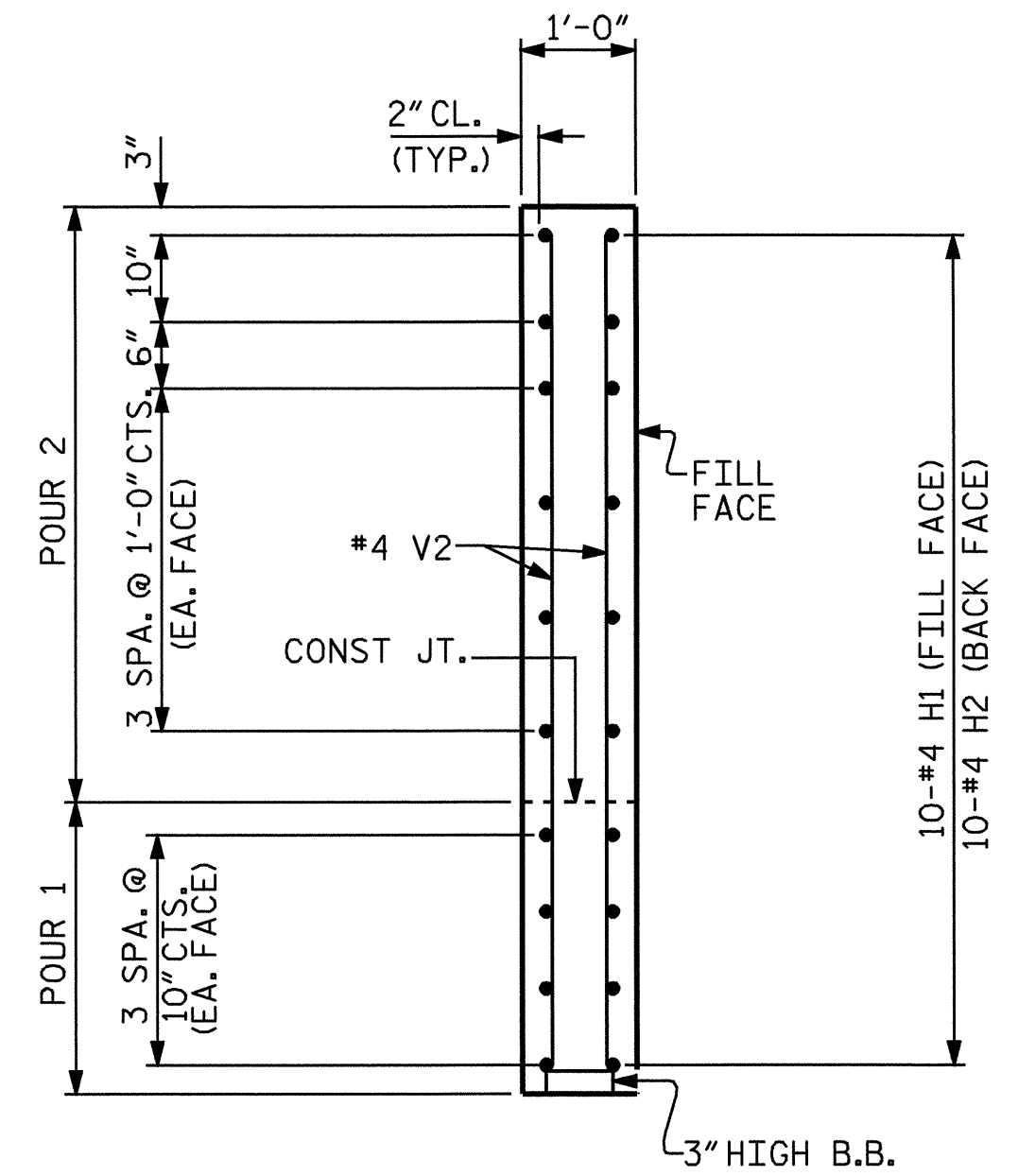


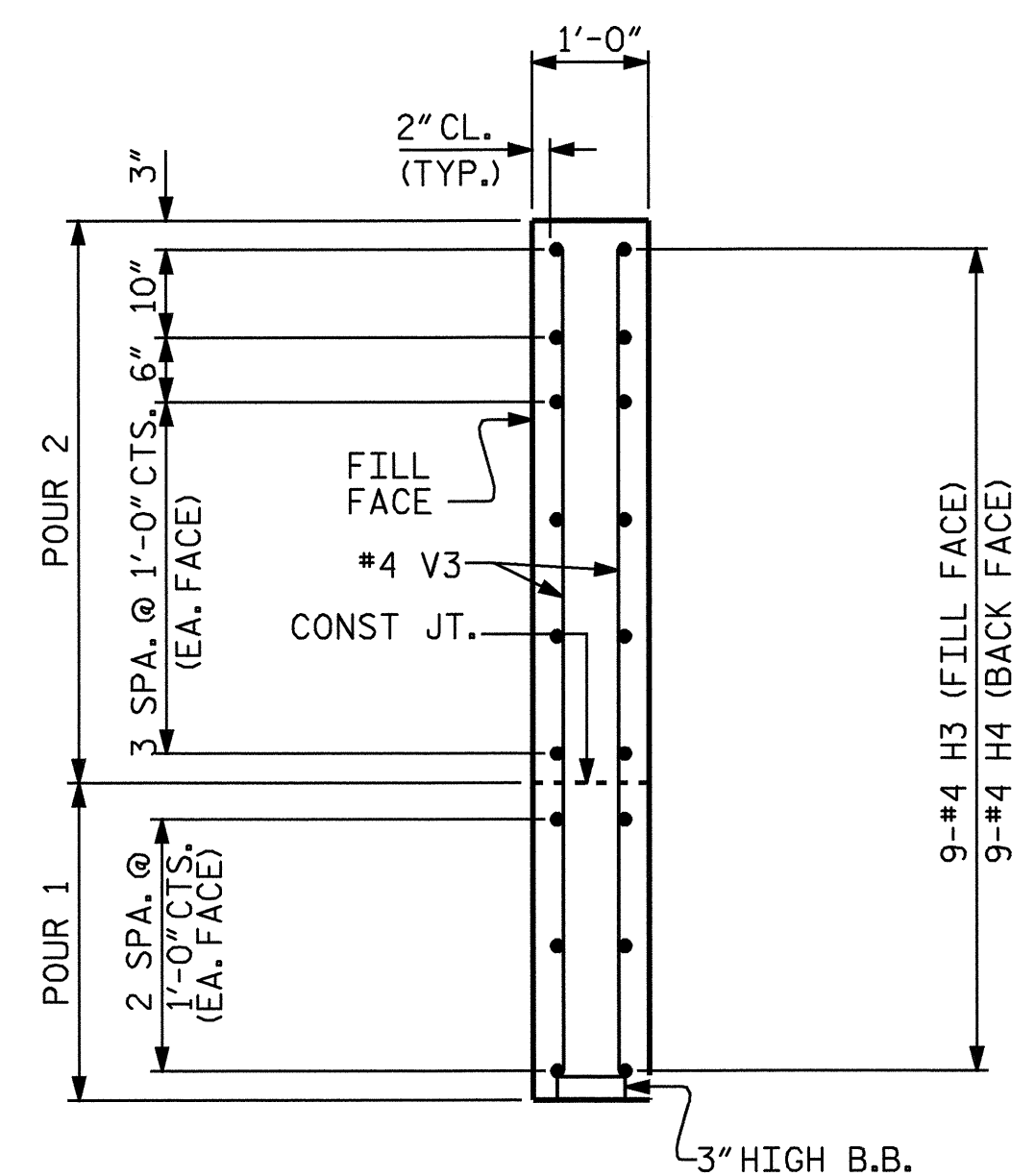
PLAN OF LEFT WING (W1)



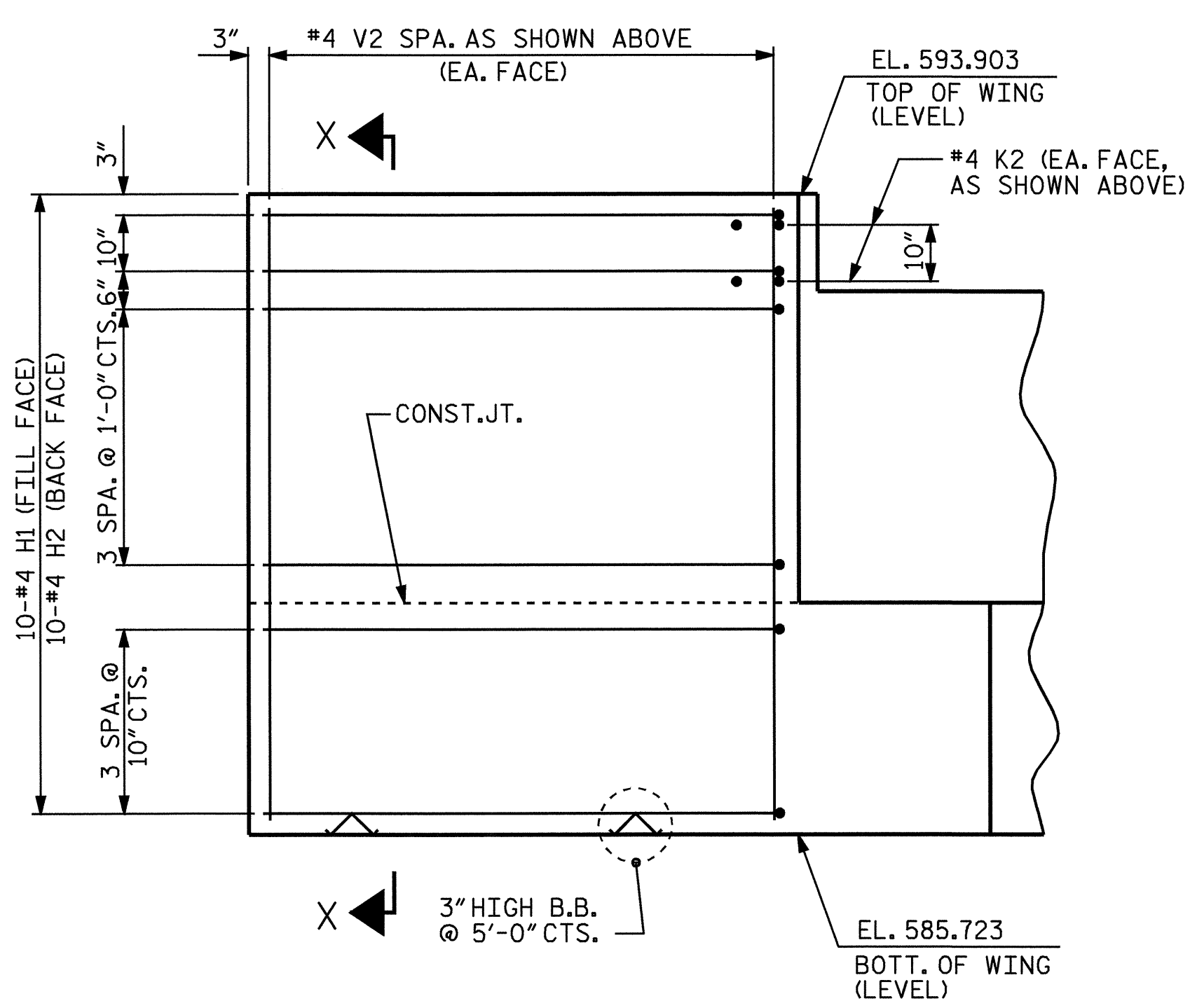
PLAN OF RIGHT WING (W2)



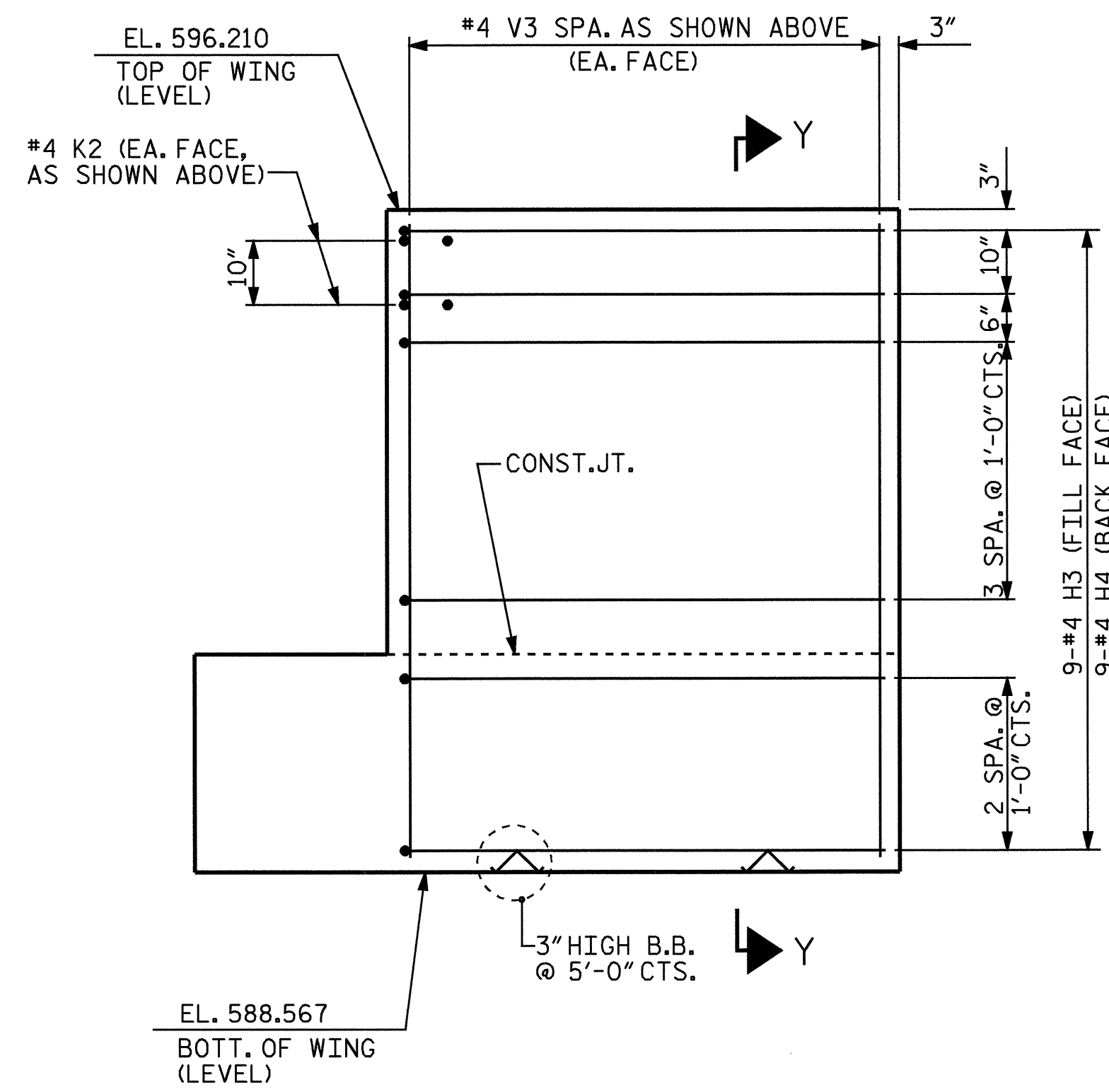
SECTION X-X



SECTION Y-Y



ELEVATION OF LEFT WING (W1)



ELEVATION OF RIGHT WING (W2)

PROJECT NO. B-3694
 ROCKINGHAM COUNTY
 STATION: 11+27.50 -L-

SHEET 2 OF 3

STATE OF NORTH CAROLINA
 DEPARTMENT OF TRANSPORTATION
 RALEIGH
 SUBSTRUCTURE
 END BENT No. 2



REVISIONS						SHEET NO.	
NO.	BY:	DATE:	NO.	BY:	DATE:	S-26	
1			3			TOTAL SHEETS	
2			4			36	

DRAWN BY: A.R.CHESSON DATE: 12-04
 CHECKED BY: B.N.GRADY DATE: 12-04