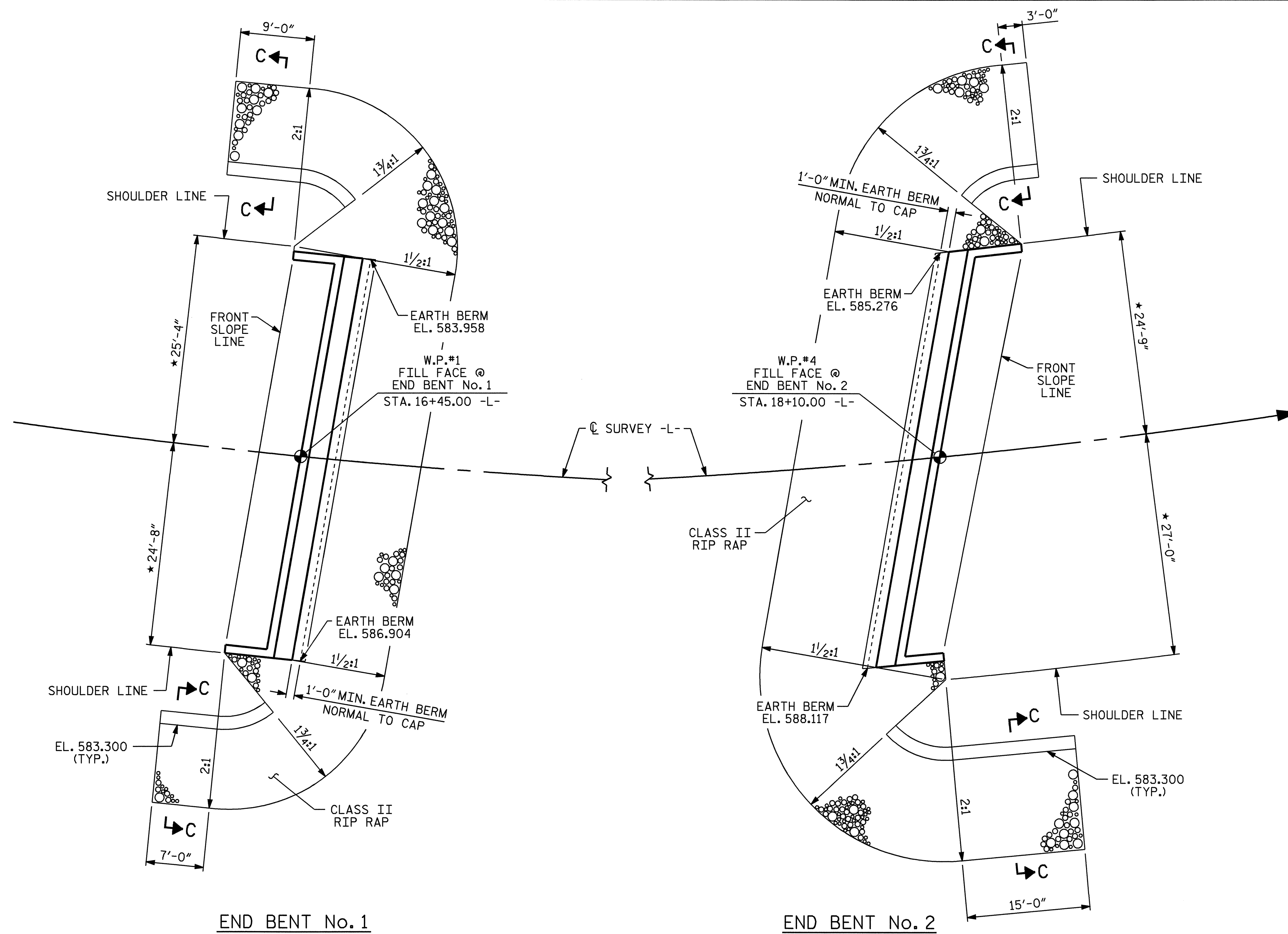
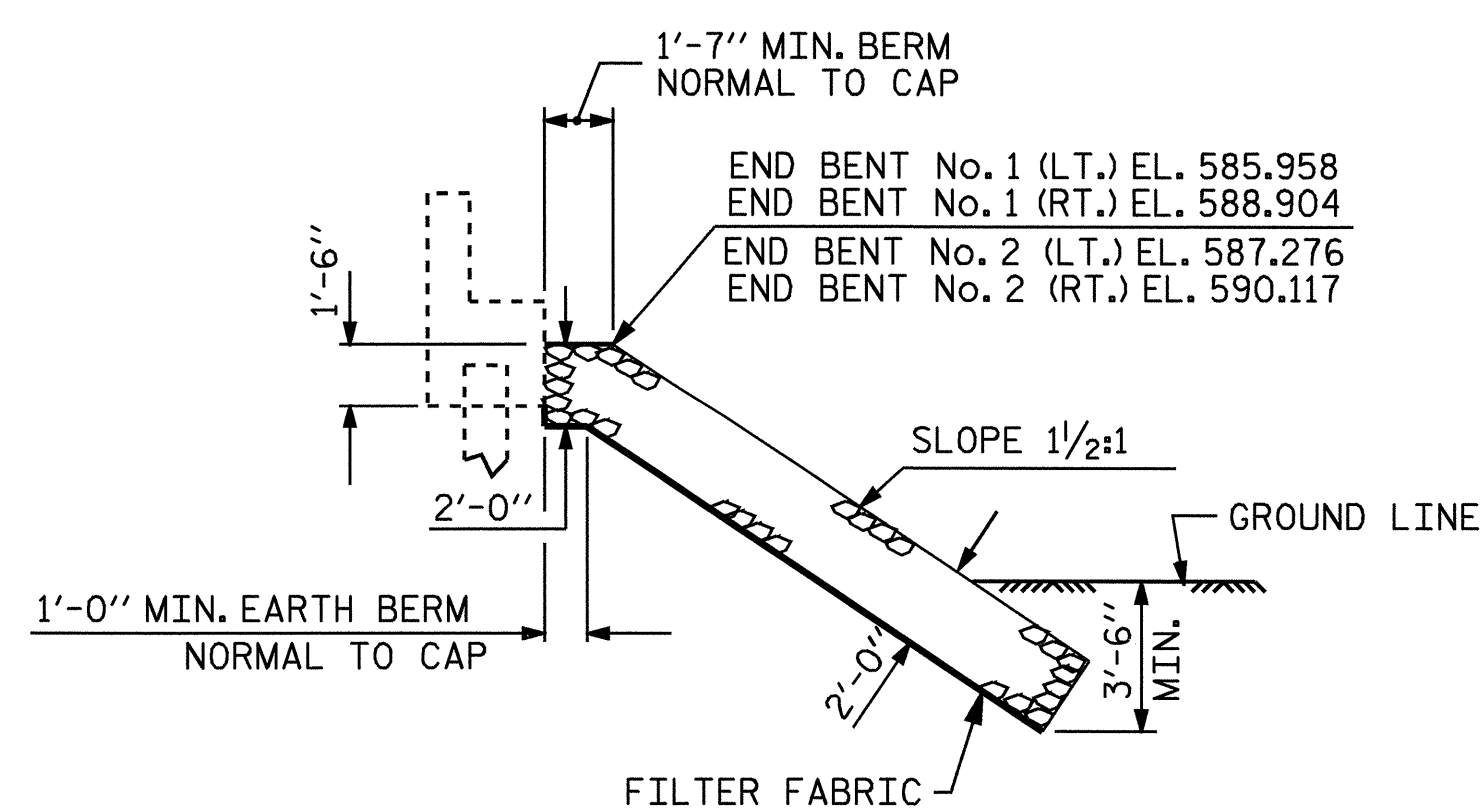


NOTES :
 * RADIAL DIMENSION

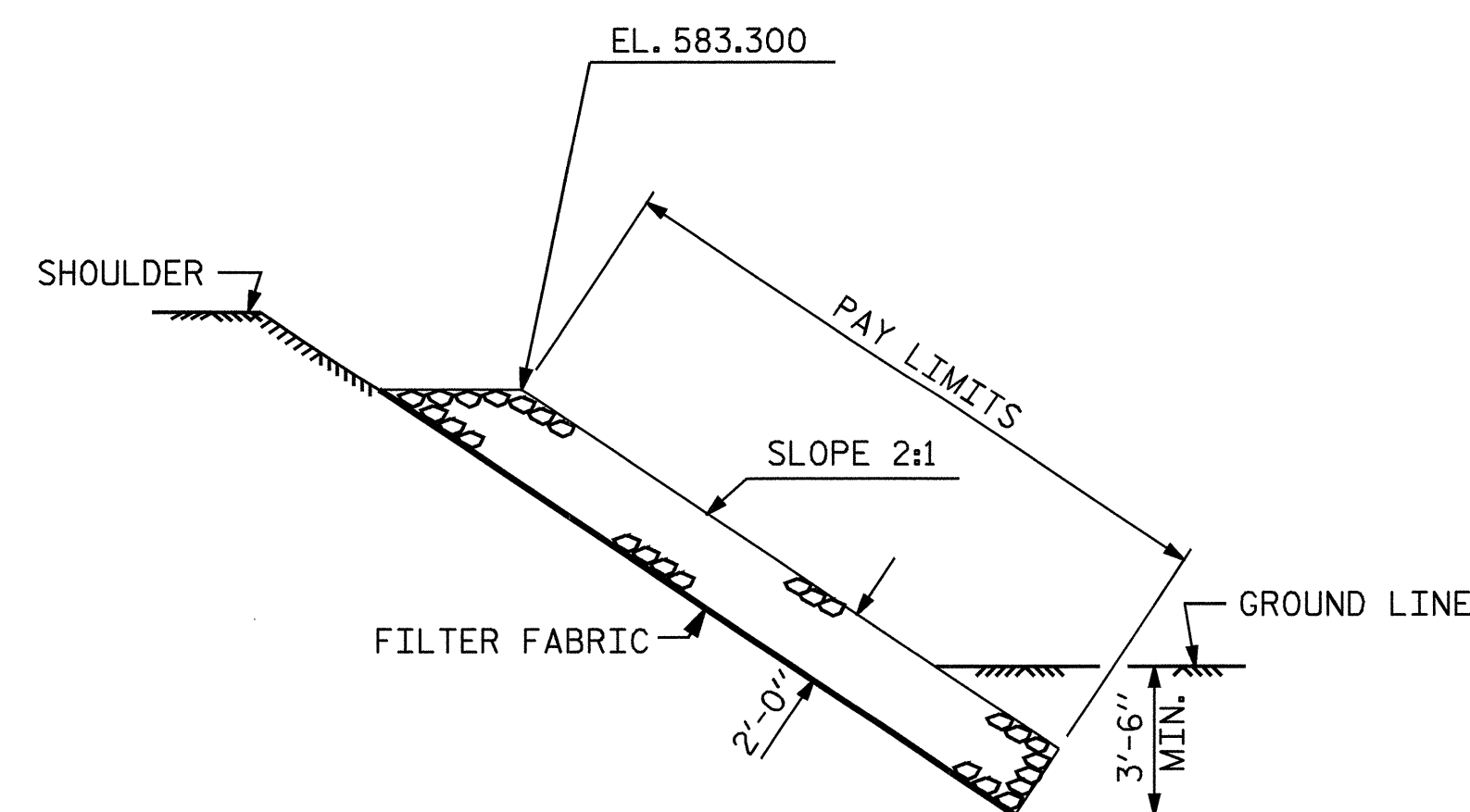


ESTIMATED QUANTITIES		
BRIDGE @ STA. 17+25.50 -L-	PLAIN RIP RAP CLASS II	FILTER FABRIC FOR DRAINAGE
	TONS	SQUARE YARDS
END BENT No. 1	180	200
END BENT No. 2	225	250

PLAN OF RIP RAP



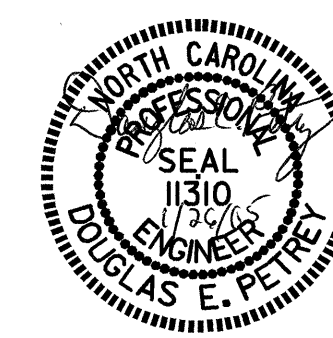
SECTION
 BERM RIPPED



SECTION C-C

PROJECT NO. B-3694
ROCKINGHAM COUNTY
 STATION: 17+27.50 -L-

STATE OF NORTH CAROLINA
 DEPARTMENT OF TRANSPORTATION
 RALEIGH
 STANDARD
 RIP RAP DETAILS



ASSEMBLED BY : B.N. GRADY	DATE : 12/04
CHECKED BY : R.G. EMERSON	DATE : 12/04
DRAWN BY : REK 1/84	REV. 7/17/98 REK/RWW
CHECKED BY : RDU 1/84	REV. 8/16/99 RWW/LES
	REV. 10/17/00 RWW/LES

REVISIONS						SHEET NO. S-28
NO.	BY:	DATE:	NO.	BY:	DATE:	
1			3			TOTAL SHEETS 36
2			4			