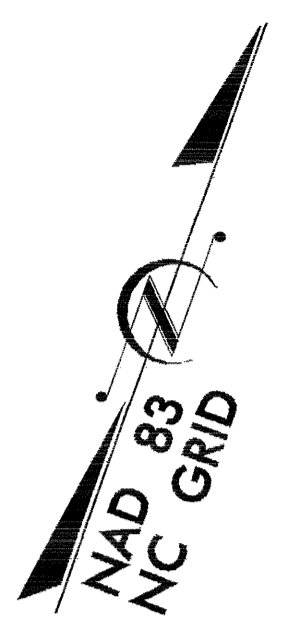
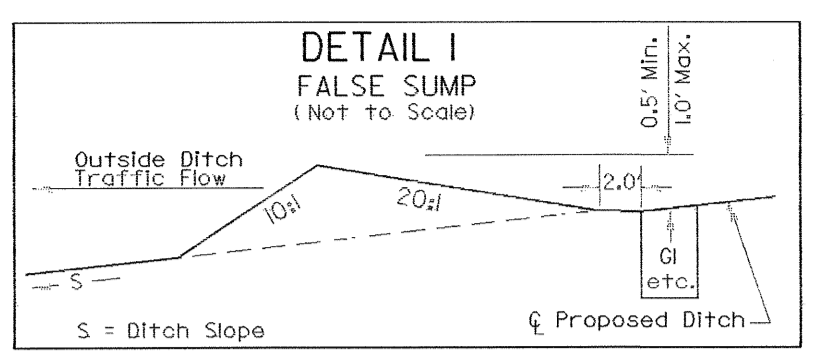


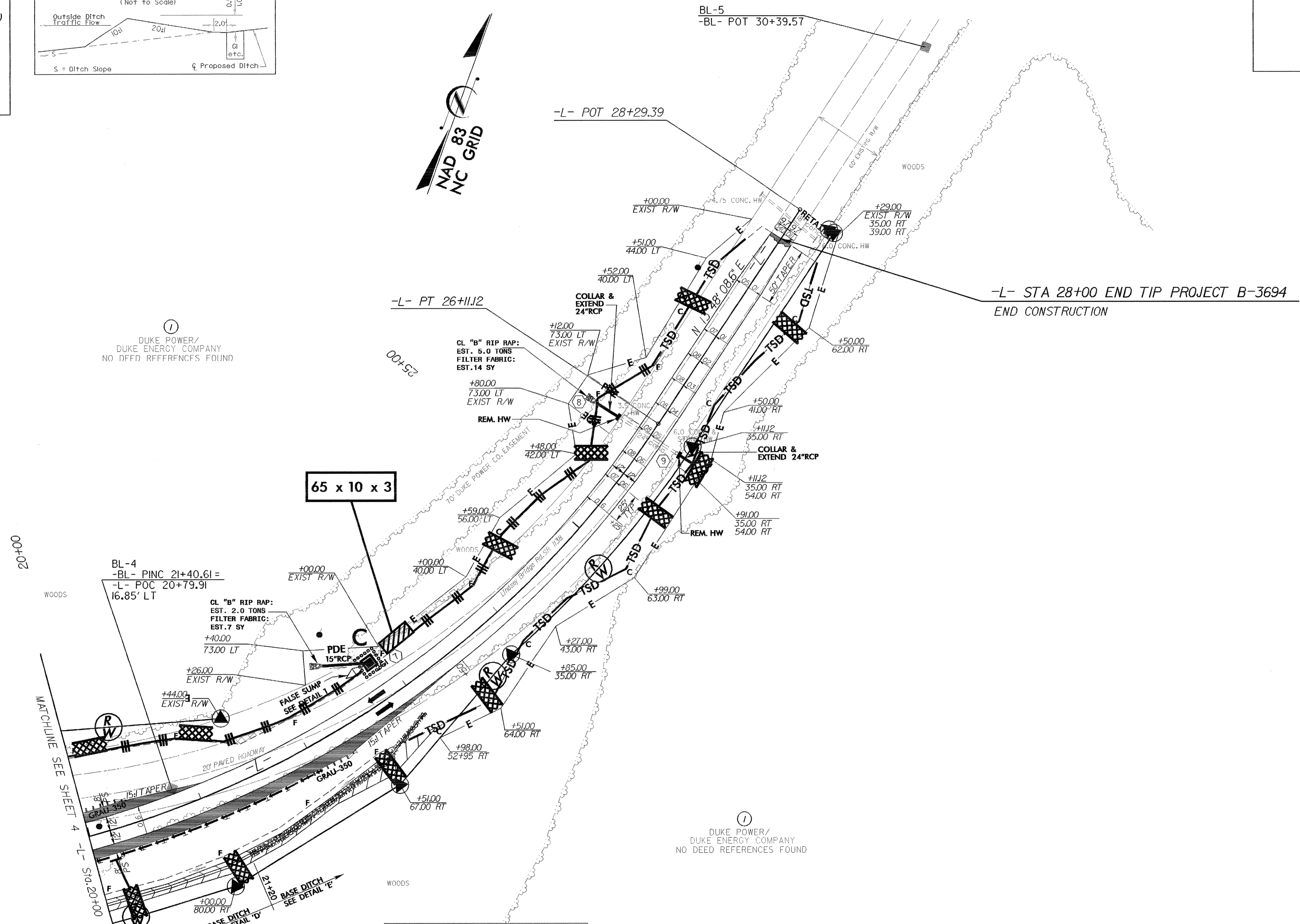
PROJECT REFERENCE NO.	SHEET NO.
B-3694	EC-7/CONST.5
R/W SHEET NO.	5
ROADWAY DESIGN ENGINEER	HYDRAULICS ENGINEER

-L-
 PI Sta 21+72.25
 $\Delta = 68' 51" 04.4" (LT)$
 $D = 6' 44" 26.4"$
 $L = 1,021.43'$
 $T = 582.57'$
 $R = 850.00'$
 $SE = 0.06$
 $RO = SEE PLANS$
 $DS = 40mph **$

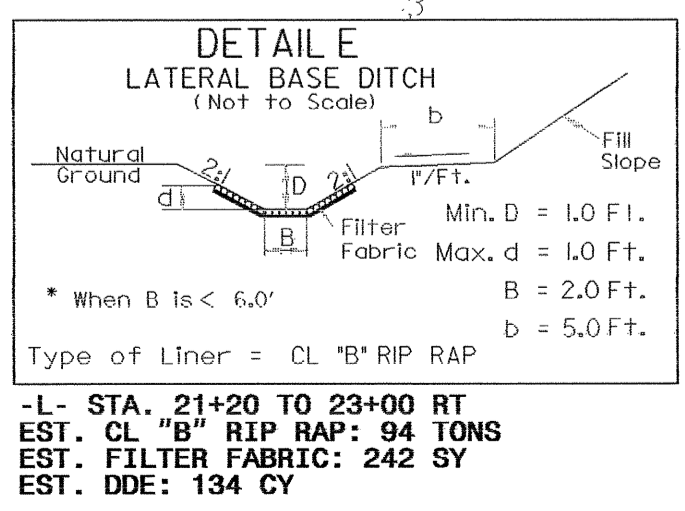
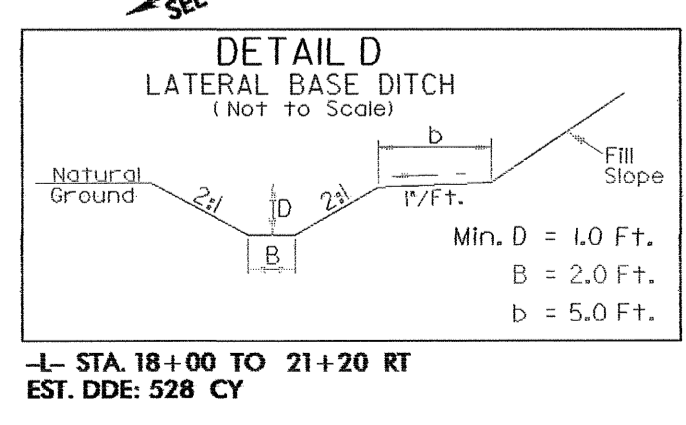


DUKE POWER/
 DUKE ENERGY COMPANY
 NO DEED REFERENCES FOUND

DUKE POWER/
 DUKE ENERGY COMPANY
 NO DEED REFERENCES FOUND



65 x 10 x 3



██████████ DENOTES PAVED SHOULDERS

SEE SHEET 6 FOR -L- PROFILE

* DESIGN EXCEPTION REQUIRED FOR MINIMUM HORIZONTAL CURVE RADIUS
 ** DESIGN EXCEPTION REQUIRED FOR HORIZONTAL SSD. HORIZONTAL SSD MEETS A 40 MPH DESIGN SPEED

REVISIONS

8/7/99
 15-JAN-2005 11:40
 D:\xru\B-3694\Roadway\Pr-oj\B3694_rdy_psh5.dgn