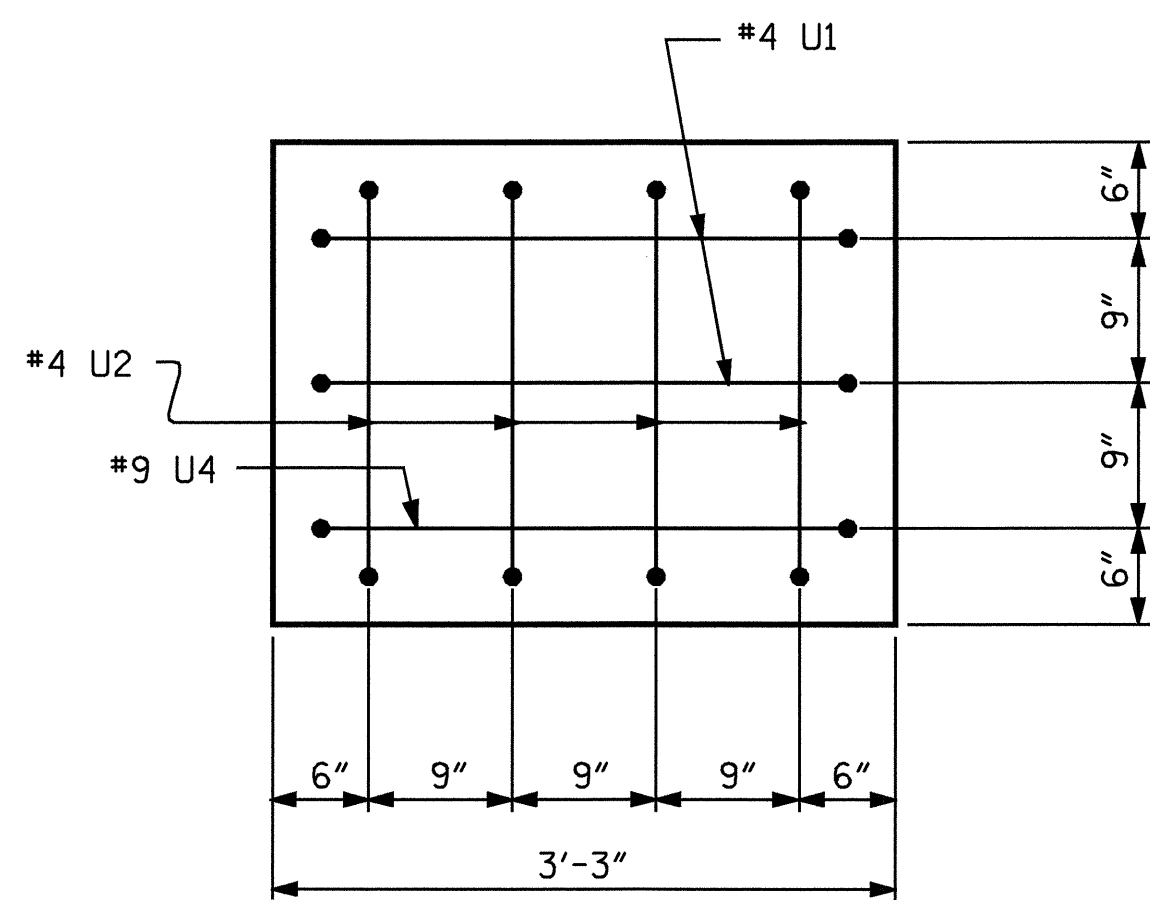
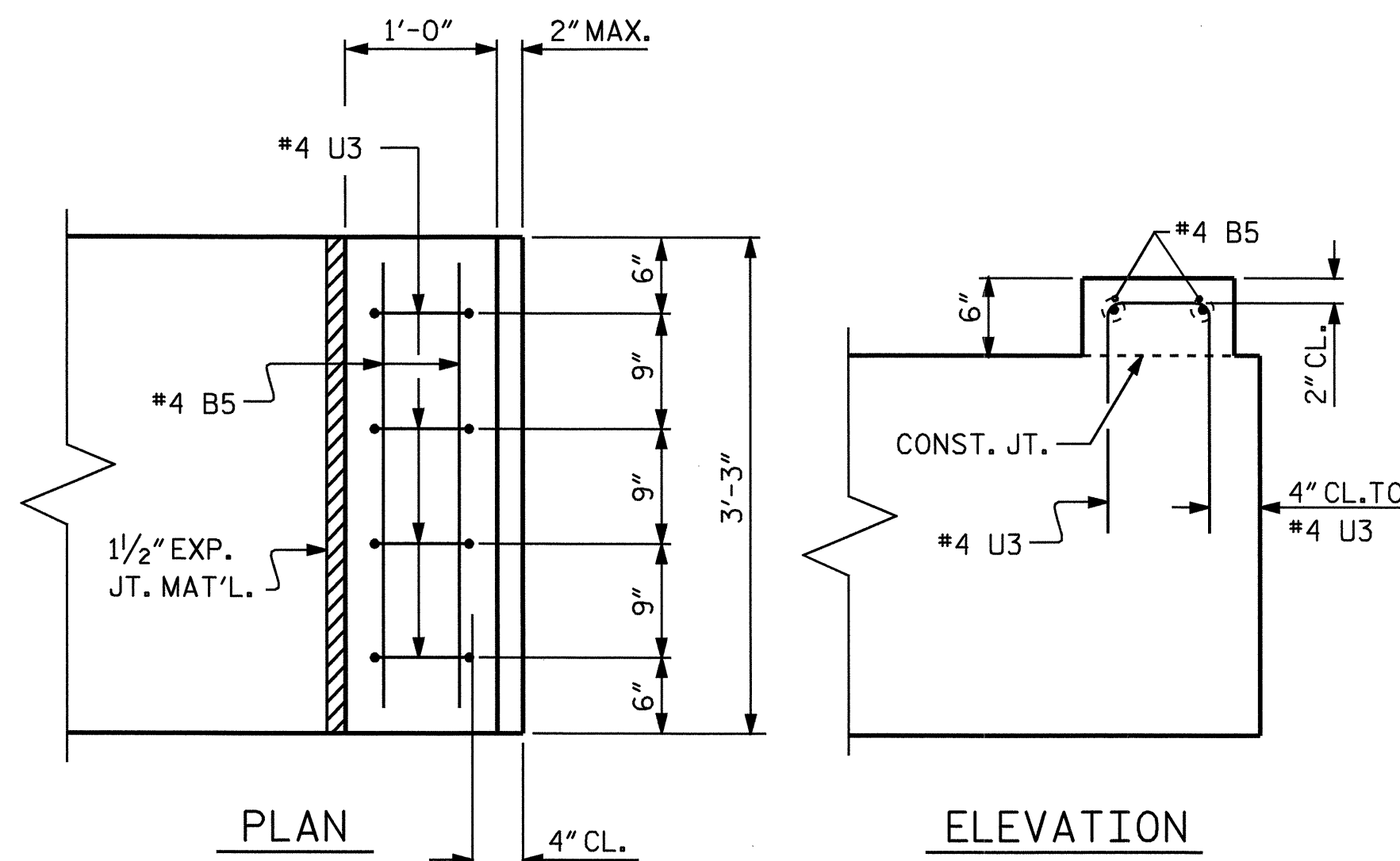


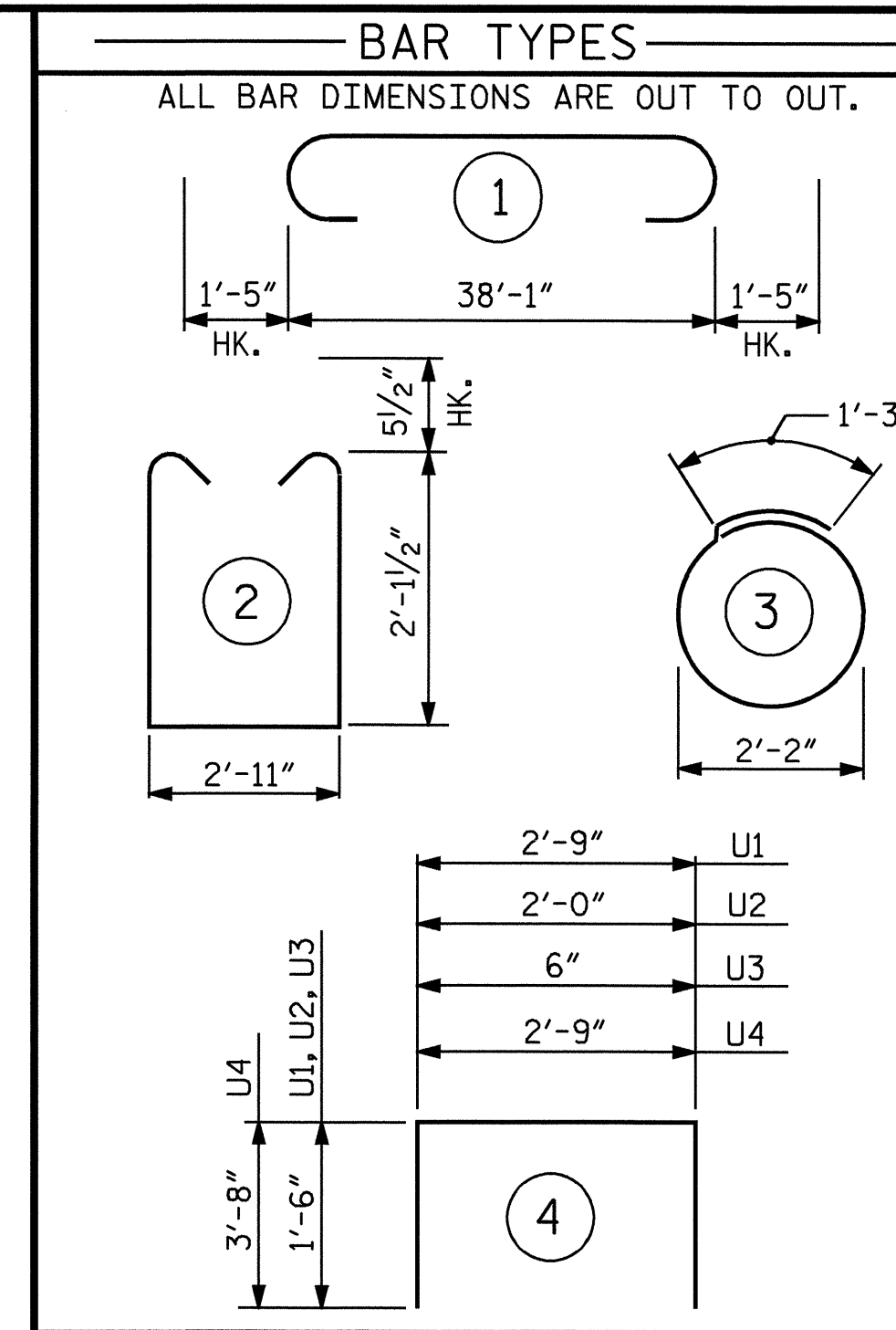
SECTION A-A



VIEW X-X
(TYP. BOTH ENDS)



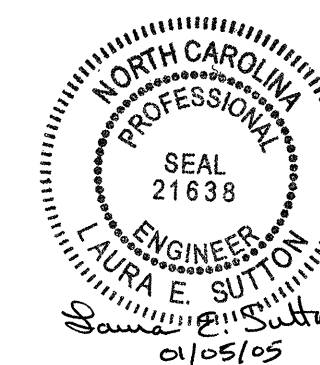
LATERAL GUIDE REINFORCING DETAIL
(EACH END SIMILAR)



| BILL OF MATERIAL | | | | | |
|--------------------------------|-----|------|------|----------|--------|
| BENT 2 | | | | | |
| BAR | NO. | SIZE | TYPE | LENGTH | WEIGHT |
| B1 | 4 | #10 | 1 | 40'-11" | 704 |
| B2 | 4 | #10 | STR | 38'-3" | 658 |
| B3 | 2 | #5 | STR | 38'-3" | 80 |
| B4 | 8 | #4 | STR | 20'-4" | 109 |
| B5 | 14 | #4 | STR | 2'-10" | 27 |
| D1 | 48 | #6 | STR | 1'-6" | 108 |
| S1 | 36 | #5 | 2 | 8'-1" | 304 |
| S2 | 14 | #4 | 3 | 8'-1" | 76 |
| U1 | 4 | #4 | 4 | 5'-9" | 15 |
| U2 | 8 | #4 | 4 | 5'-0" | 27 |
| U3 | 8 | #4 | 4 | 3'-6" | 19 |
| U4 | 2 | #9 | 4 | 10'-1" | 69 |
| REINFORCING STEEL | | | | LBS. | 2196 |
| CLASS A CONCRETE | | | | | |
| POUR #1 (CAP) | | | | CU. YDS. | 11.2 |
| POUR #2 (LATERAL GUIDES) | | | | CU. YDS. | 0.1 |
| TOTAL: | | | | CU. YDS. | 11.3 |
| 16" PRESTRESSED CONCRETE PILES | | | | | |
| NO. 7 | | | | LIN. FT. | 280 |

DRAWN BY: A.S. CALLAWAY DATE: 7/19/04
 CHECKED BY: N.Q. TRAN DATE: 10/6/04

22-DEC-2004 11:15
 W:\Squad\VB8.b4248\scallaway\B4248.sd.B*.01.dgn
 scallaway



PROJECT NO. B-4248
 ROBESON COUNTY
 STATION: 16+67.50 -L-

SHEET 2 OF 2
 STATE OF NORTH CAROLINA
 DEPARTMENT OF TRANSPORTATION
 RALEIGH
 SUBSTRUCTURE
 BENT 2

| REVISIONS | | | | | | SHEET NO. |
|-----------|-----|-------|-----|-----|-------|-----------------|
| NO. | BY: | DATE: | NO. | BY: | DATE: | |
| 1 | | | 3 | | | S-17 |
| 2 | | | 4 | | | TOTAL SHEETS 25 |