

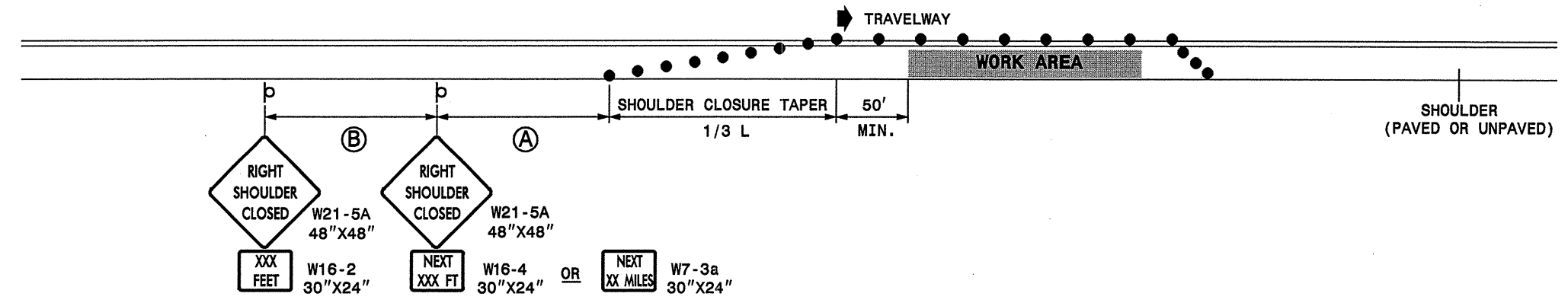
STATE OF NORTH CAROLINA  
DEPT. OF TRANSPORTATION  
DIVISION OF HIGHWAYS  
RALEIGH, N.C.

1-05

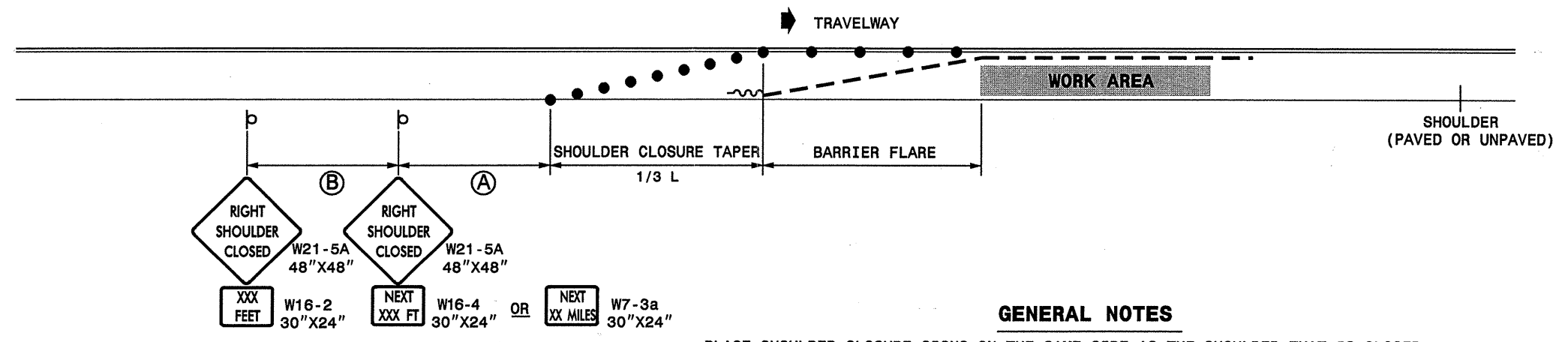
ENGLISH STANDARD DRAWING FOR  
TEMPORARY SHOULDER CLOSURES

SHEET 1 OF 1  
1101D04

**SHOULDER CLOSURES UTILIZING DRUMS**



**SHOULDER CLOSURES UTILIZING TEMPORARY BARRIER**



**GENERAL NOTES**

- PLACE SHOULDER CLOSURE SIGNS ON THE SAME SIDE AS THE SHOULDER THAT IS CLOSED.
- PLACE DRUMS IN THE SHOULDER TAPER AT THE MAXIMUM SPACING EQUAL IN FEET TO THE POSTED SPEED LIMIT. THE MAXIMUM SPACING OF DRUMS ALONG THE WORK AREA AND BARRIER FLARE IS EQUAL IN FEET TO 2 TIMES THE POSTED SPEED LIMIT.
- FLARE THE APPROACH END OF PORTABLE CONCRETE BARRIER BEYOND THE SHOULDER AND USE A CRASH CUSHION FOR PROTECTION IF THE EXPOSED END OF THE BARRIER IS WITHIN THE "CLEAR ZONE".
- USE STATIONARY SIGNS FOR LONG TERM OPERATIONS (LONGER THAN 3 DAYS).
- REFER TO STD. 1101.11 SHEETS 1, 3, & 4, FOR "L" DISTANCE, BARRIER FLARE RATES, AND SIGN SPACING.

**LEGEND**

- ~ TEMPORARY CRASH CUSHION
- - - PORTABLE CONCRETE BARRIER
- DRUM
- ⊔ STATIONARY OR PORTABLE SIGN
- ➔ DIRECTION OF TRAFFIC FLOW

STATE OF NORTH CAROLINA  
DEPT. OF TRANSPORTATION  
DIVISION OF HIGHWAYS  
RALEIGH, N.C.

1-05

ENGLISH STANDARD DRAWING FOR  
TEMPORARY SHOULDER CLOSURES

SHEET 1 OF 1  
1101D04

APPROVED: _____ DATE: _____	REPLACEMENT DETAIL FOR RSD 1101.04									
SEAL										
	SCALE: NONE	<table border="1"> <tr><th colspan="2">REVISIONS</th></tr> <tr><td> </td><td> </td></tr> <tr><td> </td><td> </td></tr> <tr><td> </td><td> </td></tr> </table>	REVISIONS							
	REVISIONS									
DATE: 11/04										
DWG. BY: MMM										
DESIGN BY: MMM										
REVIEWED BY: MMM	CADD FILE									

02-DEC-2004 16:05 S:\TELE\2004\11\11\Resurfacing\Div08\8cr107713\std\shoulderClosures05.dgn pseymore AT TETC206427