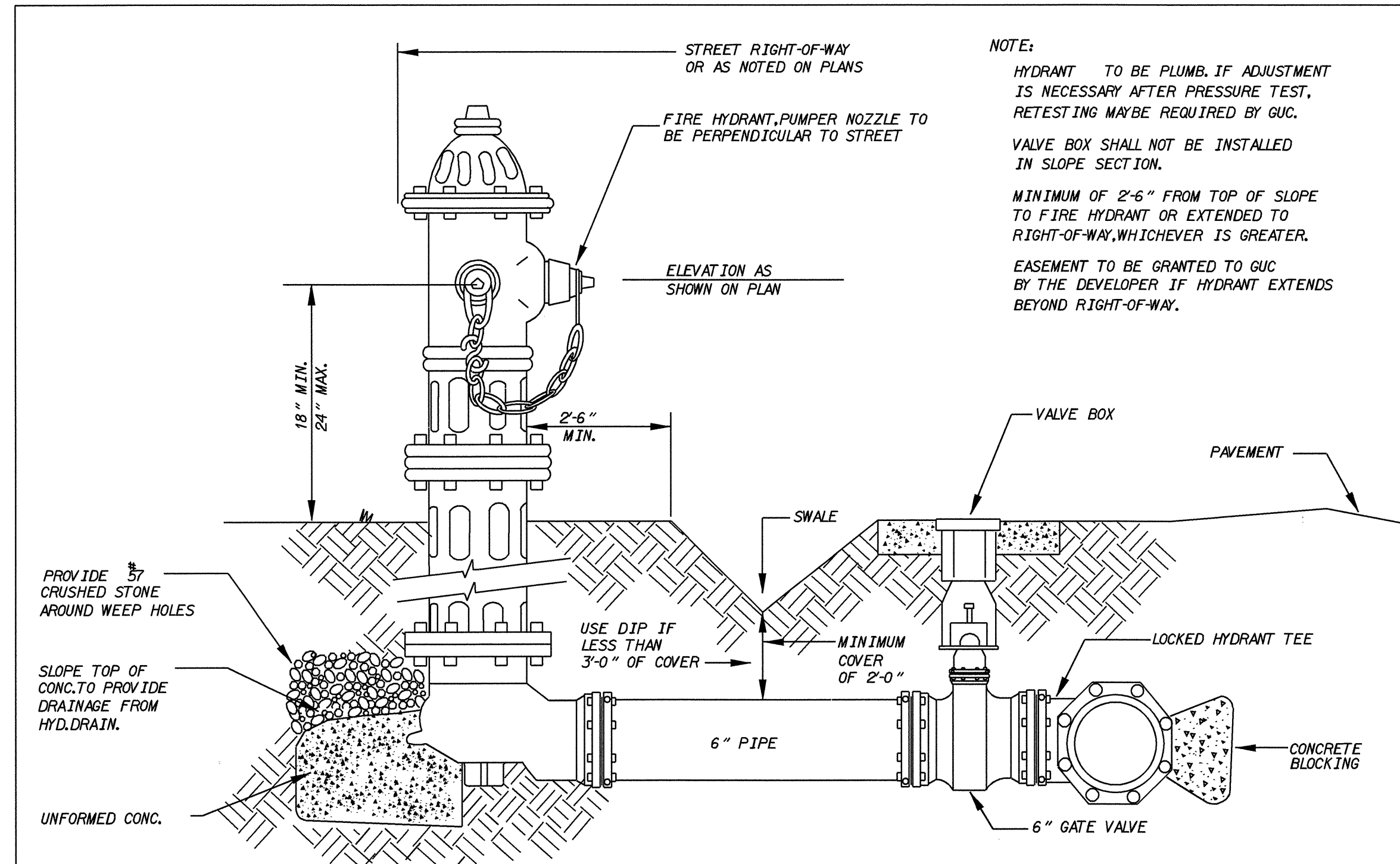
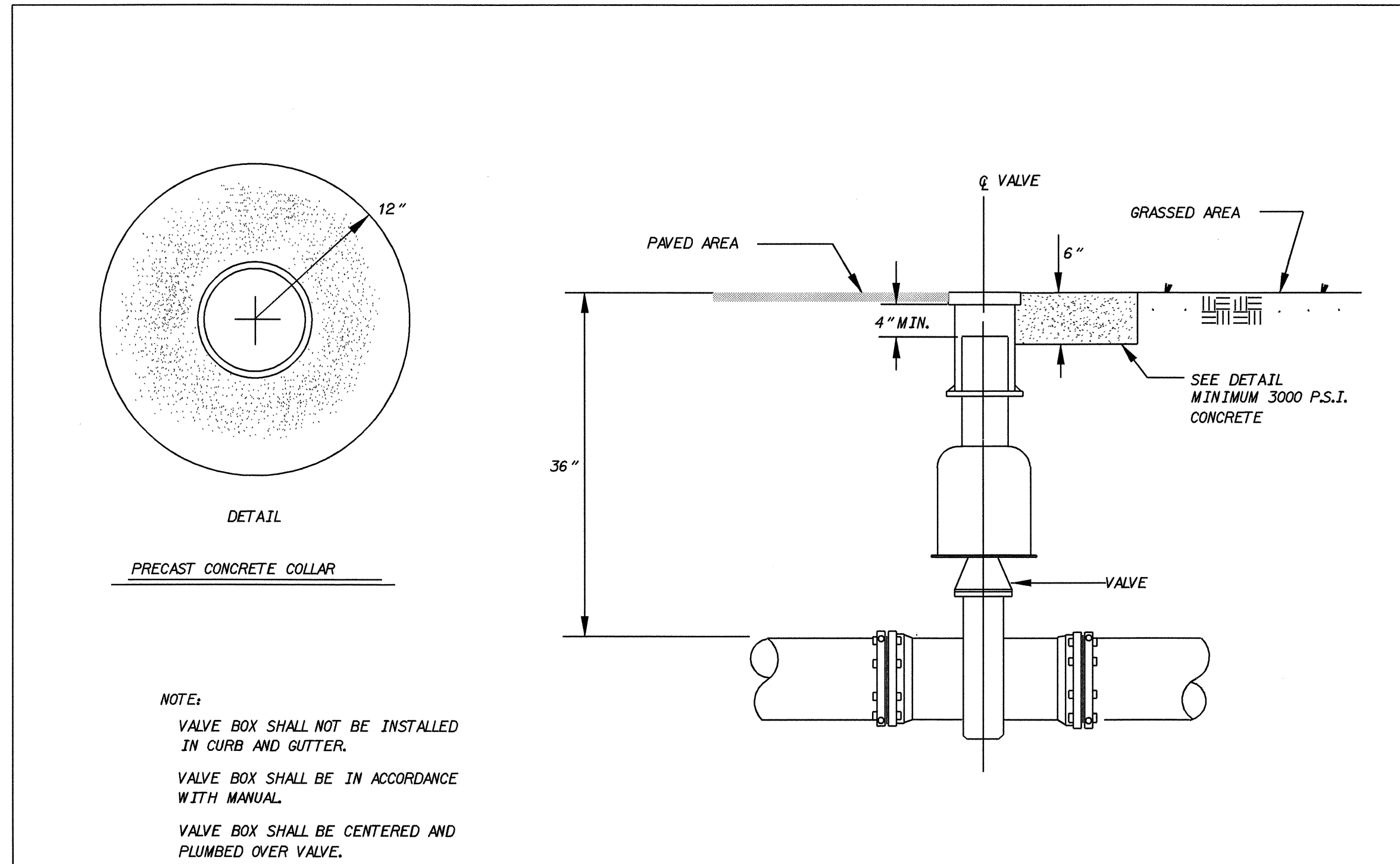


PROJECT REFERENCE NO.	SHEET NO.
B-3685	UC-5
DESIGNED BY: DVJ	
DRAWN BY: DVJ	
CHECKED BY: CDB	
APPROVED BY: CDB	
REVISER:	
NORTH CAROLINA DEPARTMENT OF TRANSPORTATION	
DESIGN SERVICES UNIT PHONE: (919)250-4128 FAX: (919)250-4119	
July 18, 2004 UTILITY CONSTRUCTION PLANS ONLY	

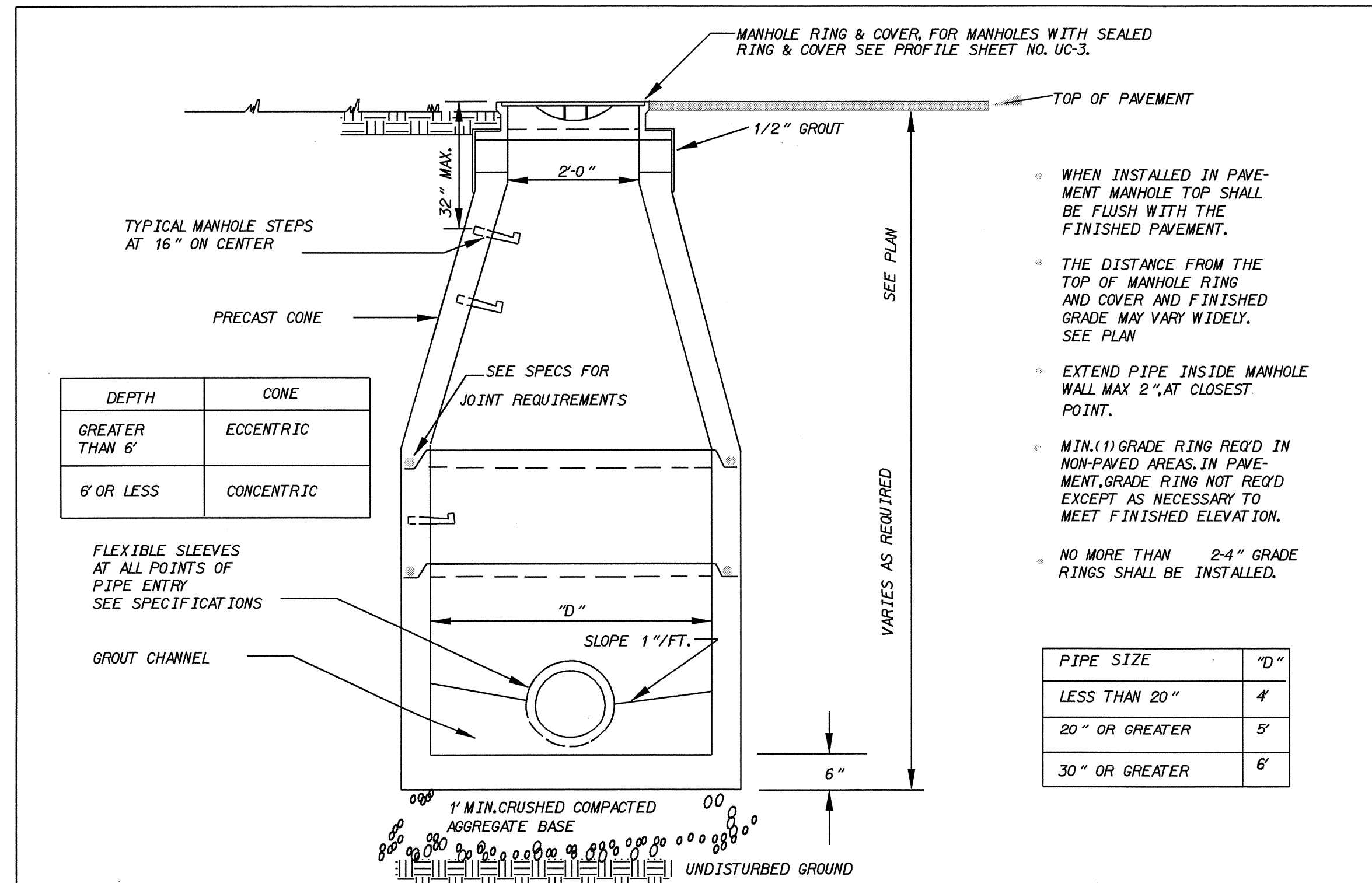
UTILITY CONSTRUCTION



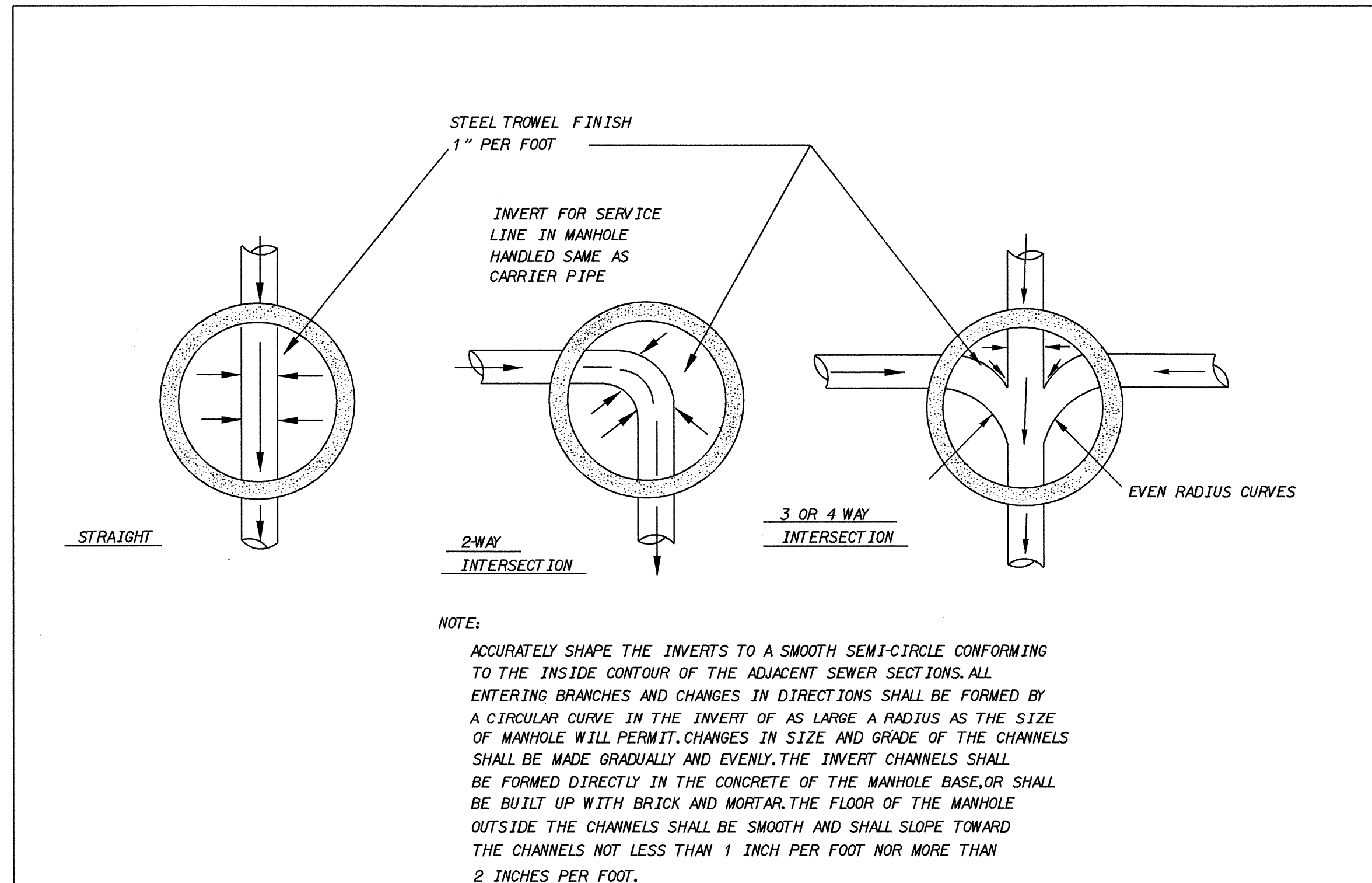
FIRE HYDRANT INSTALLATION (FOR AREAS WITHOUT CURB & GUTTER)		GREENVILLE UTILITIES GREENVILLE, N.C.			NO.	DATE	DESCRIPTION
SHEET	DWG. NO. W-5	DWG. N.WOOTEN	WATER RESOURCES ENGINEERING				
1 OF 1	DATE 3-12-99	APP H.COREY	GREENVILLE, N.C.	Greenville Utilities			



VALVE BOX DETAIL FOR VALVES SMALLER THAN 12"		GREENVILLE UTILITIES GREENVILLE, N.C.			NO.	DATE	DESCRIPTION
SHEET	DWG. NO. W-7	DWG. N.WOOTEN	WATER RESOURCES ENGINEERING				
1 OF 1	DATE 3-12-99	APP H.COREY	GREENVILLE, N.C.	Greenville Utilities			



TYPICAL PRECAST MANHOLE FOR MANHOLES 12' OR LESS IN DEPTH		GREENVILLE UTILITIES GREENVILLE, N.C.			NO.	DATE	DESCRIPTION
SHEET	DWG. NO. S-4	DWG. N.WOOTEN	WATER RESOURCES ENGINEERING				
1 OF 1	DATE 3-12-99	APP H.COREY	GREENVILLE, N.C.	Greenville Utilities			



MANHOLE INVERTS		GREENVILLE UTILITIES GREENVILLE, N.C.			NO.	DATE	DESCRIPTION
SHEET	DWG. NO. S-17	DWG. N.WOOTEN	WATER RESOURCES ENGINEERING				
1 OF 1	DATE 3-12-99	APP H.COREY	GREENVILLE, N.C.	Greenville Utilities			