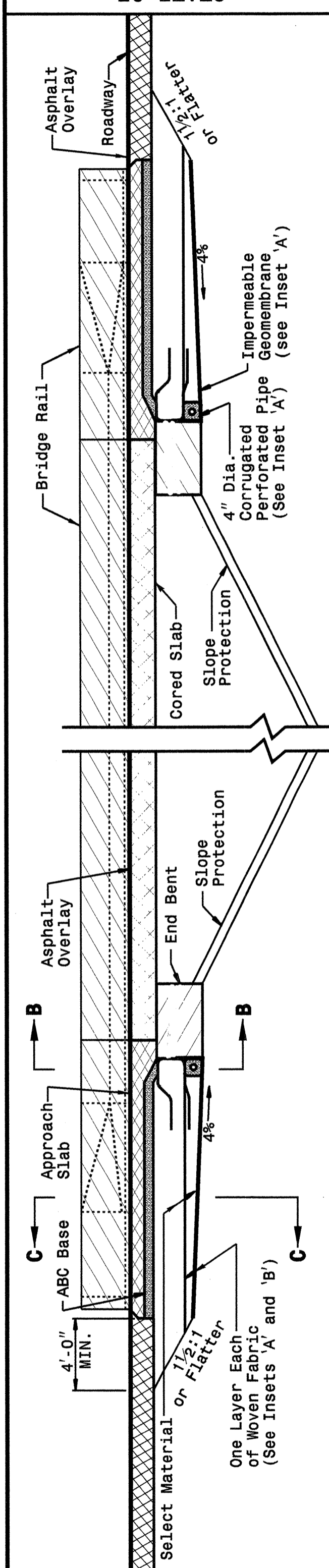
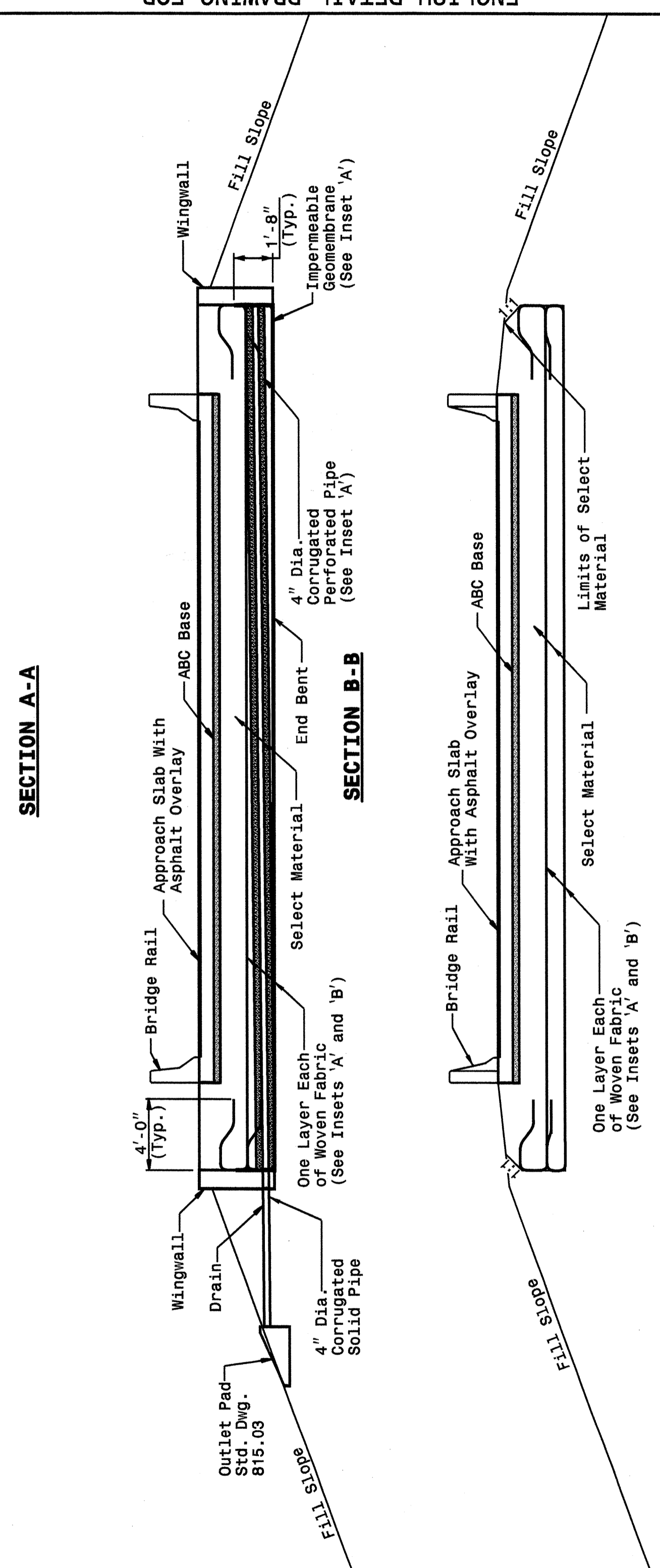


07-APR-2004 16:52  
 W:\Special\Details\english\stds\02\stds to Special\Details\english\422d10\422d10.dgn  
 erickward AT 0821266

STATE OF NORTH CAROLINA  
DEPT. OF TRANSPORTATION  
DIVISION OF HIGHWAYS  
RALEIGH, N.C.



ENGLISH DETAIL DRAWING FOR  
**REINFORCED BRIDGE APPROACH FILLS**  
CORED SLAB BRIDGES



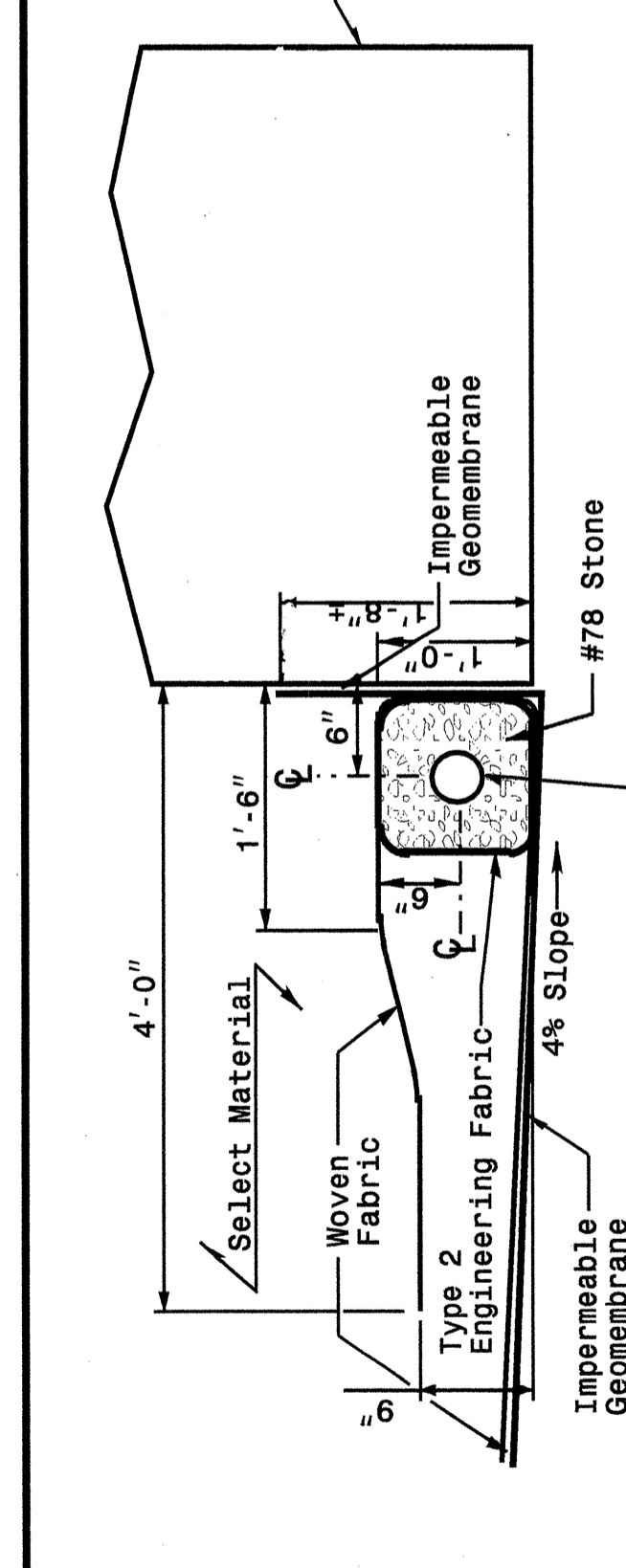
SHEET 3 OF 4  
**422D10**

STATE OF NORTH CAROLINA  
DEPT. OF TRANSPORTATION  
DIVISION OF HIGHWAYS  
RALEIGH, N.C.

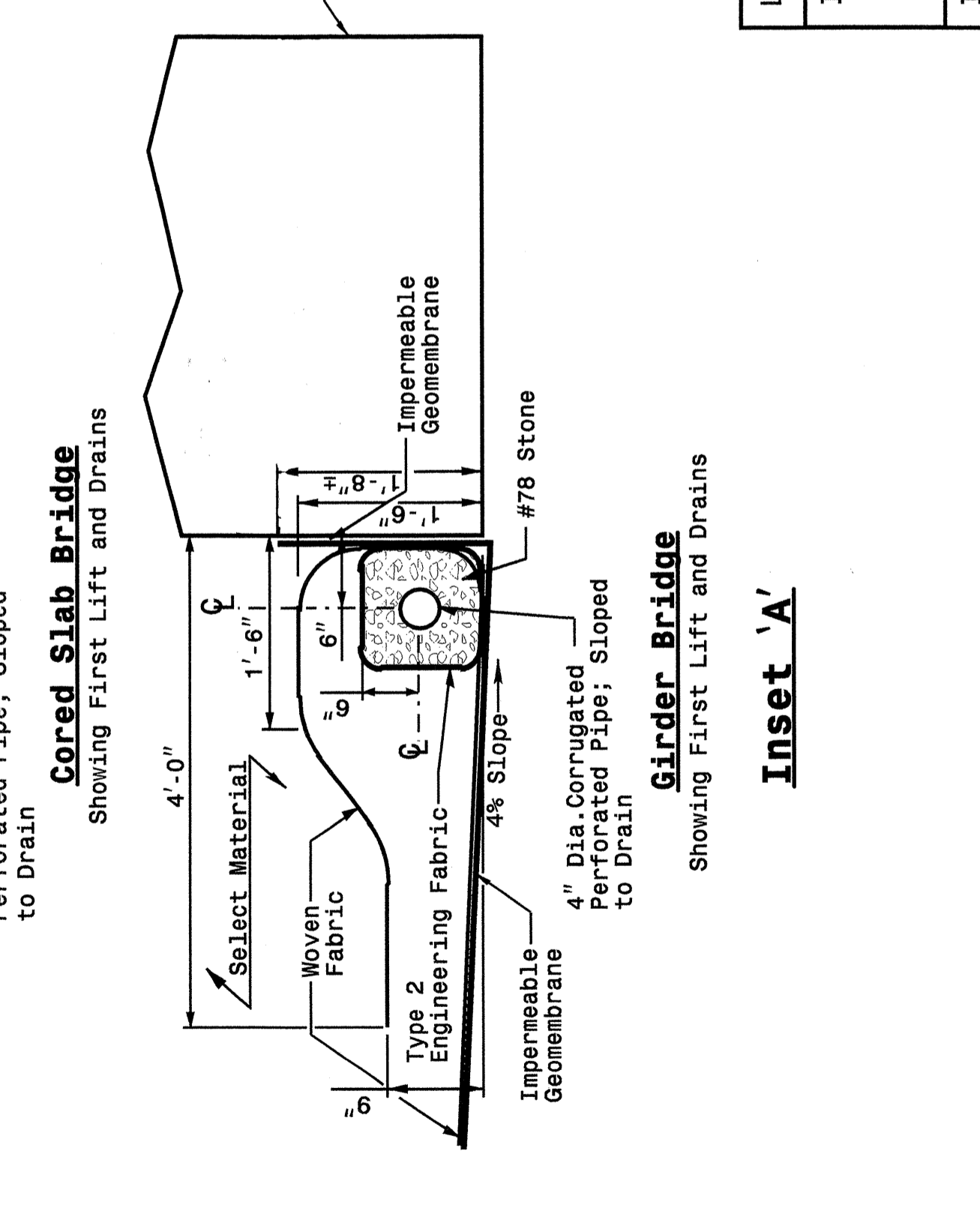
ENGLISH DETAIL DRAWING FOR  
**REINFORCED BRIDGE APPROACH FILLS**  
CORED SLAB BRIDGES

SHEET 3 OF 4  
**422D10**

STATE OF NORTH CAROLINA  
DEPT. OF TRANSPORTATION  
DIVISION OF HIGHWAYS  
RALEIGH, N.C.



ENGLISH DETAIL DRAWING FOR  
**REINFORCED BRIDGE APPROACH FILLS**  
INSETS AND CHARTS

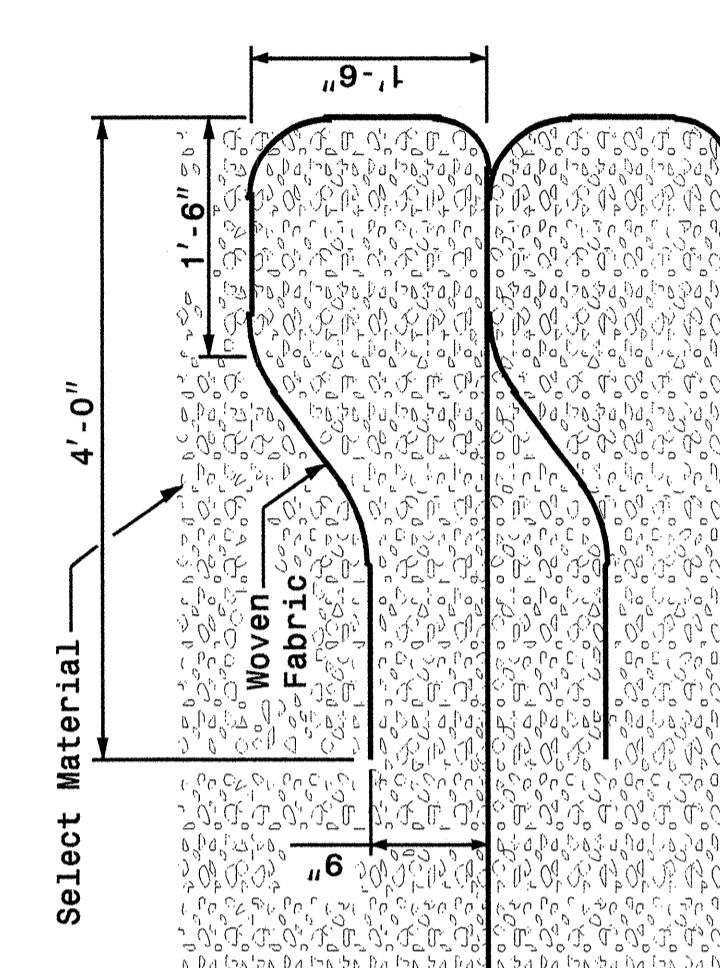


SHEET 4 OF 4  
**422D10**

STATE OF NORTH CAROLINA  
DEPT. OF TRANSPORTATION  
DIVISION OF HIGHWAYS  
RALEIGH, N.C.

ENGLISH DETAIL DRAWING FOR  
**REINFORCED BRIDGE APPROACH FILLS**  
INSETS AND CHARTS

SHEET 4 OF 4  
**422D10**



**Typical Fabric Lift and Wrap**  
Showing Second and Above Lifts

| Height of Backwall | Number of Fabric Layers |
|--------------------|-------------------------|
| 4'-6" - 5'-9"      | 3                       |
| 5'-10" - 7'-2"     | 4                       |
| 7'-3" - 8'-8"      | 5                       |
| 8'-9" - 10'-1"     | 6                       |
| 10'-2" - 11'-8"    | 7                       |

Note: Cored Slab Structures  
Require 2 Fabric Layers.

**Inset 'A'**  
Length of Bridge End Bent Inside Wingwalls  
If Bridge Skew is Less Than or Equal to 90°:  
 $(\text{Roadway Width} + 7'-0") \sin(\text{Bridge Skew Angle}) = \text{Dis. Between Wingwalls}$   
If Bridge Skew is Greater Than 90°:  
 $(\text{Roadway Width} + 7'-0") \cos(\text{Bridge Skew Angle} - 90^\circ) = \text{Dis. Between Wingwalls}$

DESIGN SERVICES UNIT  
STANDARDS AND SPECIAL DESIGN  
Office 919-250-4128 FAX 919-250-4119

**SEE PLATE FOR TITLE**

ORIGINAL BY: 2002 STANDARDS DATE: 01-15-02  
 MODIFIED BY: E.E. WARD DATE: 03-26-03  
 CHECKED BY: [Signature] DATE: 4-12-04  
 FILE SPEC.: stds/02stdstobdetails/english/422d10.dgn

