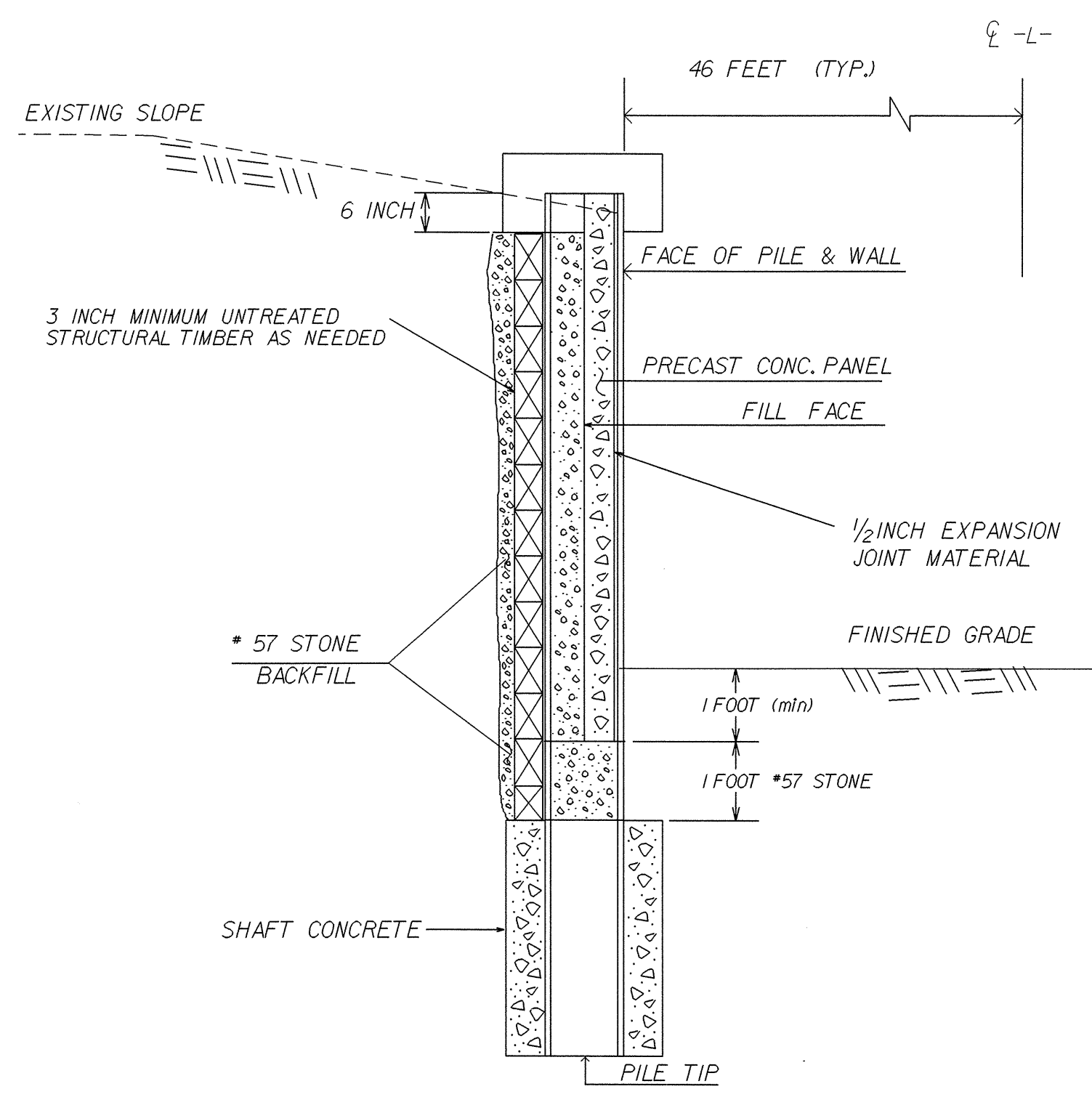
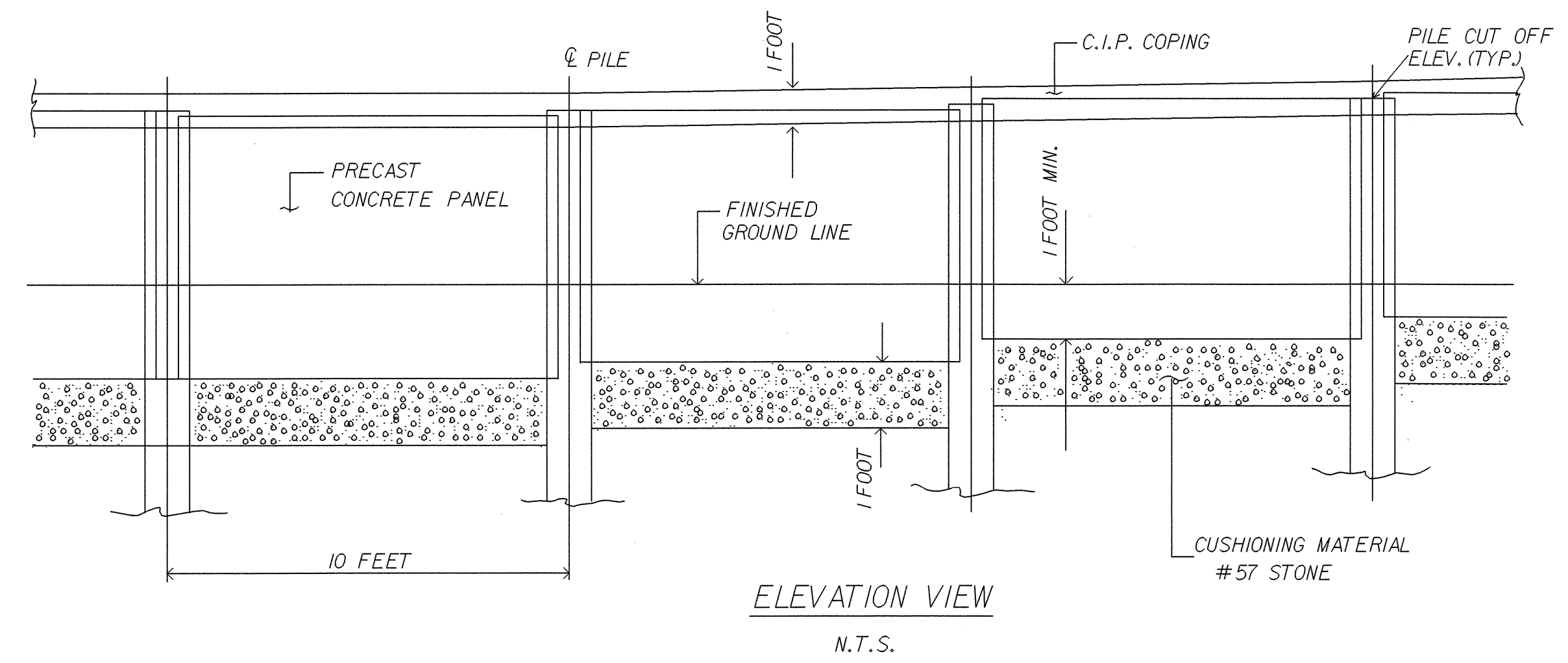
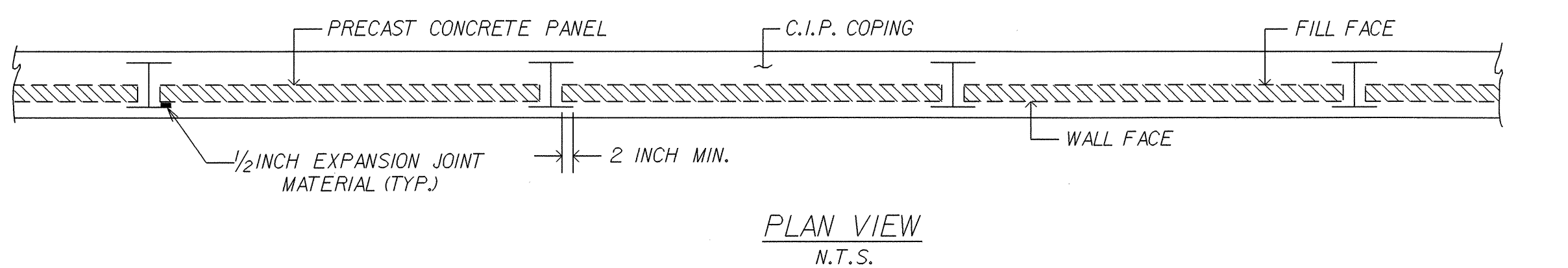
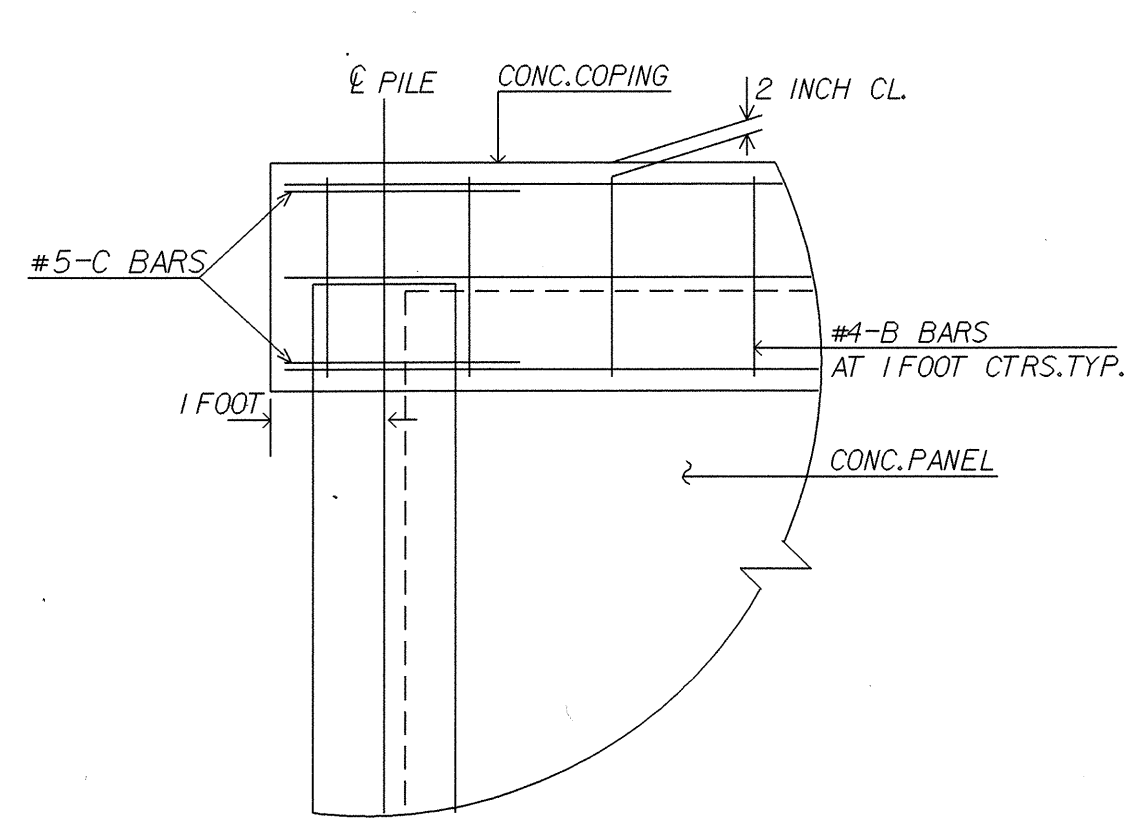


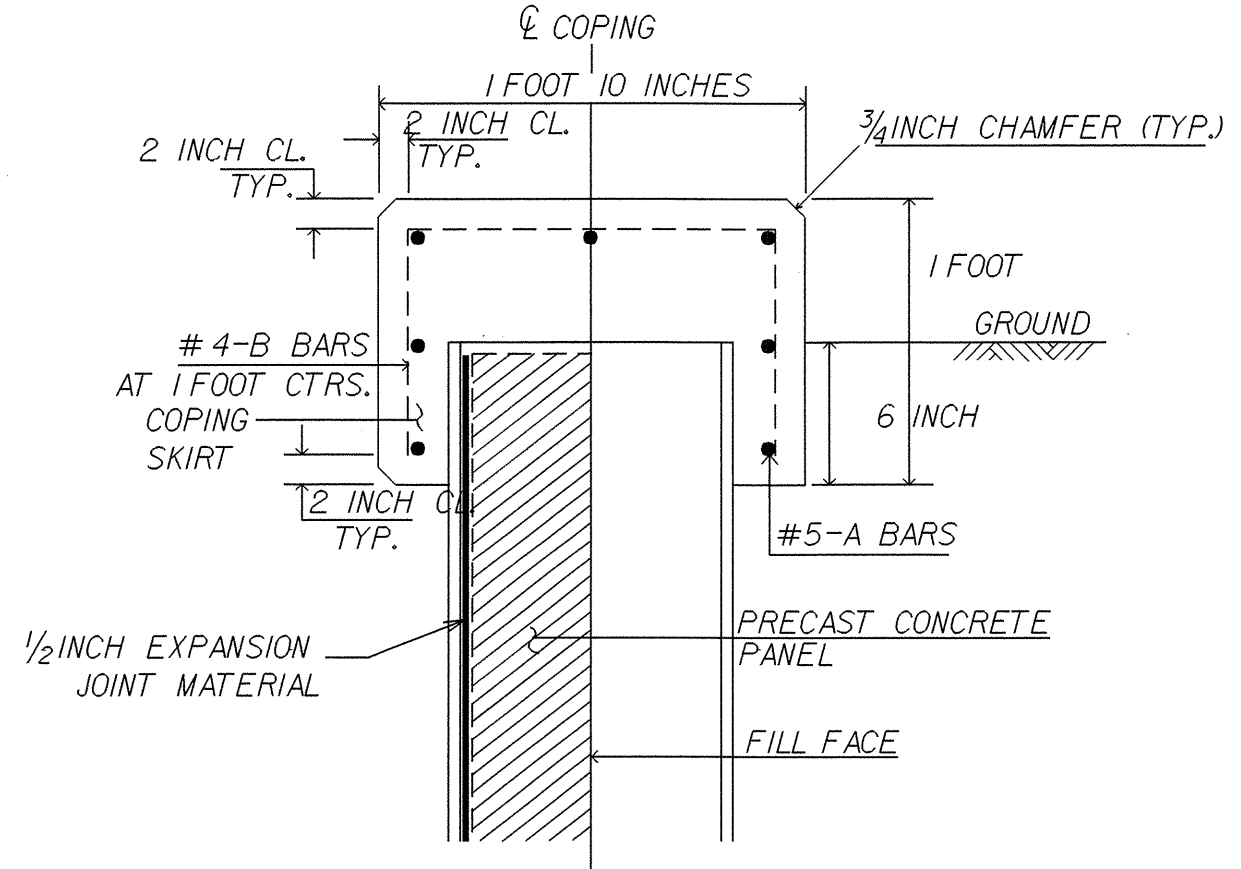
PROJ. REFERENCE NO.	SHEET NO.	TOTAL SHEETS
B-3685	2H	
STATE PROJ. NO.	F.A. PROJ. NO.	DESCRIPTION



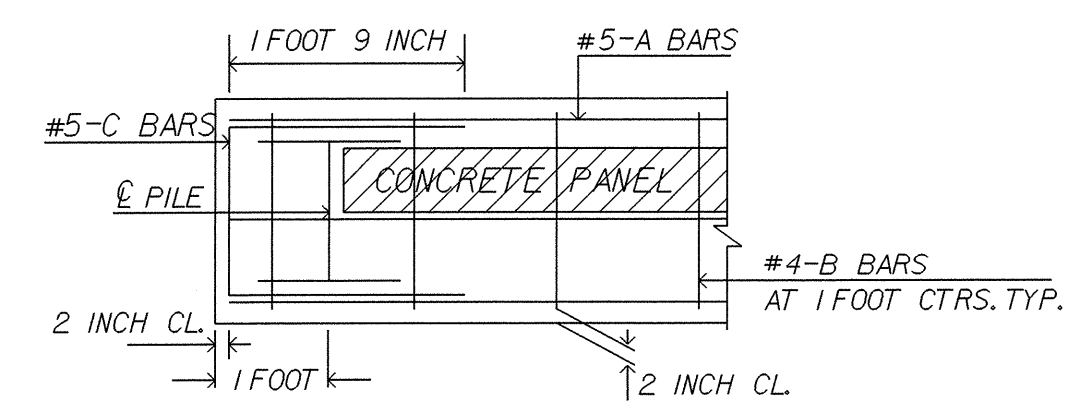
- NOTES:
- INSTALL PILES TO THE CUT OFF ELEVATIONS AND LENGTHS SHOWN ON THE PLANS.
 - USE ASTM GRADE 36 STEEL PILES WITH THE ADDITION OF 0.2% MINIMUM COPPER
 - SPlicing OF PILES IS ONLY ALLOWED IN THE PORTION OF THE PILE PERMANENTLY BELOW GROUND.
 - THE TOP OF THE INSTALLED PILES SHALL BE WITHIN 2 INCHES OF THEIR PLAN LOCATION IN ANY DIRECTION
 - CONCRETE PANELS SHALL HAVE A MINIMUM BEARING DISTANCE OF 2 INCHES ON THE PILE FLANGE, 1/2 INCH THICK EXPANSION JOINT MATERIAL SHALL BE PLACED BETWEEN THE CONCRETE PANELS AND PILE FLANGES FOR THE WIDTH OF THE BEARING SURFACE.
 - THE EXPOSED FACE OF THE CONCRETE PANELS SHALL HAVE A VERTICAL BROOMED FINISH.
 - BUILD PILE/PANEL WALL BEFORE PLACING ANY BACKFILL MATERIAL BEHIND THE WALL. HOLD CONCRETE PANELS SECURELY AGAINST PILES UNTIL BACKFILL IS PLACED. BRING UP BACKFILL UNIFORMLY. COMPLETE BACKFILLING BEFORE FORMING THE COPING.
 - COMPACT BACKFILL MATERIAL, BOTH CUSHIONING MATERIAL AND BACKFILL BEHIND PANELS, AS REQUIRED BY THE ENGINEER. ROD AND SPREAD THE STONE IN ORDER TO FILL ALL VOIDS AND INSURE MAXIMUM DENSITY. FLUSHING THE STONE WITH WATER TO AID COMPACTION WILL NOT BE ALLOWED.
 - TOP OF COPING TO BE ADJUSTED BY ENGINEER TO GIVE A UNIFORM APPEARANCE.
 - CONSTRUCTION JOINTS IN THE COPING ARE PERMITTED AT THIRTY FOOT CENTERS. EXPANSION JOINTS ARE NOT PERMITTED.
 - THE CONTRACTOR SHALL VERIFY THE LOCATION OF DRAINAGE STRUCTURES AND UTILITIES PRIOR TO INSTALLING PILES. THE LAYOUT OF THE WALL MAY NEED TO BE ADJUSTED TO AVOID UNANTICIPATED INTERFERENCE.
 - CONSTRUCTION SEQUENCE:
 - DRILL 24 INCH DIAMETER SHAFTS FROM NATURAL GROUND
 - INSTALL PILES
 - BACKFILL WITH CONCRETE TO THE TOP OF SHAFT ELEVATIONS (PILE CUTOFF MINUS PANEL HEIGHT AND 1 FOOT OF CUSHIONING MATERIAL) BEFORE EXCAVATING TO INSTALL PANELS.
 - IF NECESSARY, TAKE SPECIAL MEASURES TO ENSURE THE STABILITY OF THE SHAFT, SUCH AS INSTALLING TEMPORARY CASINGS PRIOR TO DRILLING, INSTALLING THE PILE AND PLACING CONCRETE IMMEDIATELY AFTER A SHAFT IS EXCAVATED, INSTALLING WELL POINTS, OR OTHER MEASURES. IF CAVING OCCURS, HALT THE SHAFT EXCAVATION OPERATION UNTIL SPECIAL MEASURES ARE IMPLEMENTED.



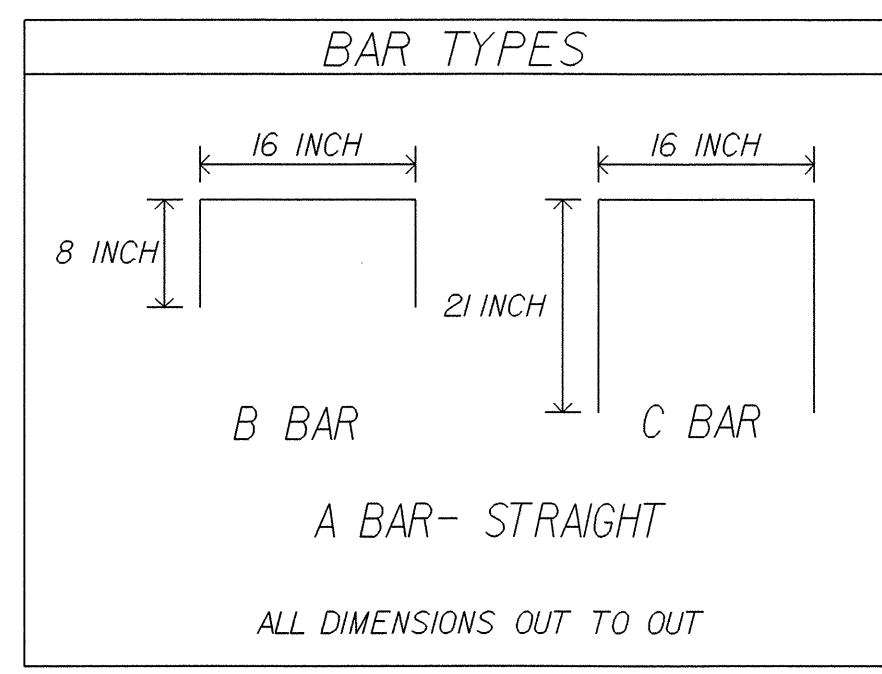
END OF COPING DETAIL
N.T.S.



FULL COPING DETAIL
N.T.S.



TOP VIEW



PROJECT B-3685
PITT COUNTY
STATION 11+50 TO 12+60 -L-



STATE OF NORTH CAROLINA
DEPARTMENT OF TRANSPORTATION
RALEIGH

PILE/PANEL WALL

DRAWN BY RSW DATE 7 / 04
CHECKED BY ADS DATE 7 / 04
SHEET 1 OF 2

13-JUL-2004 07:07 AT \\Prof.1lea\raebb\Desk-top\Projects\B-3685-1\B3685P-1.DGN rwebb