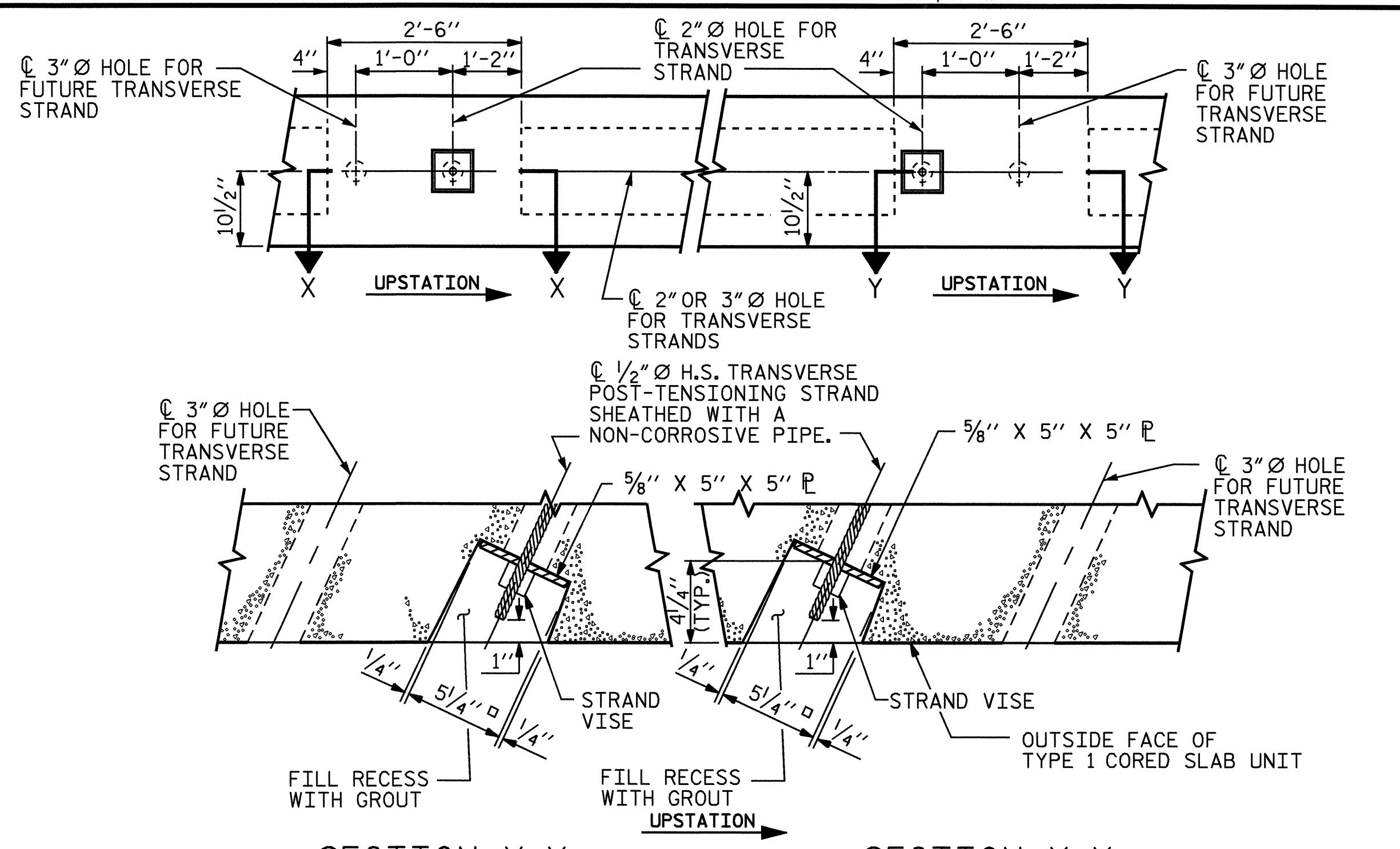
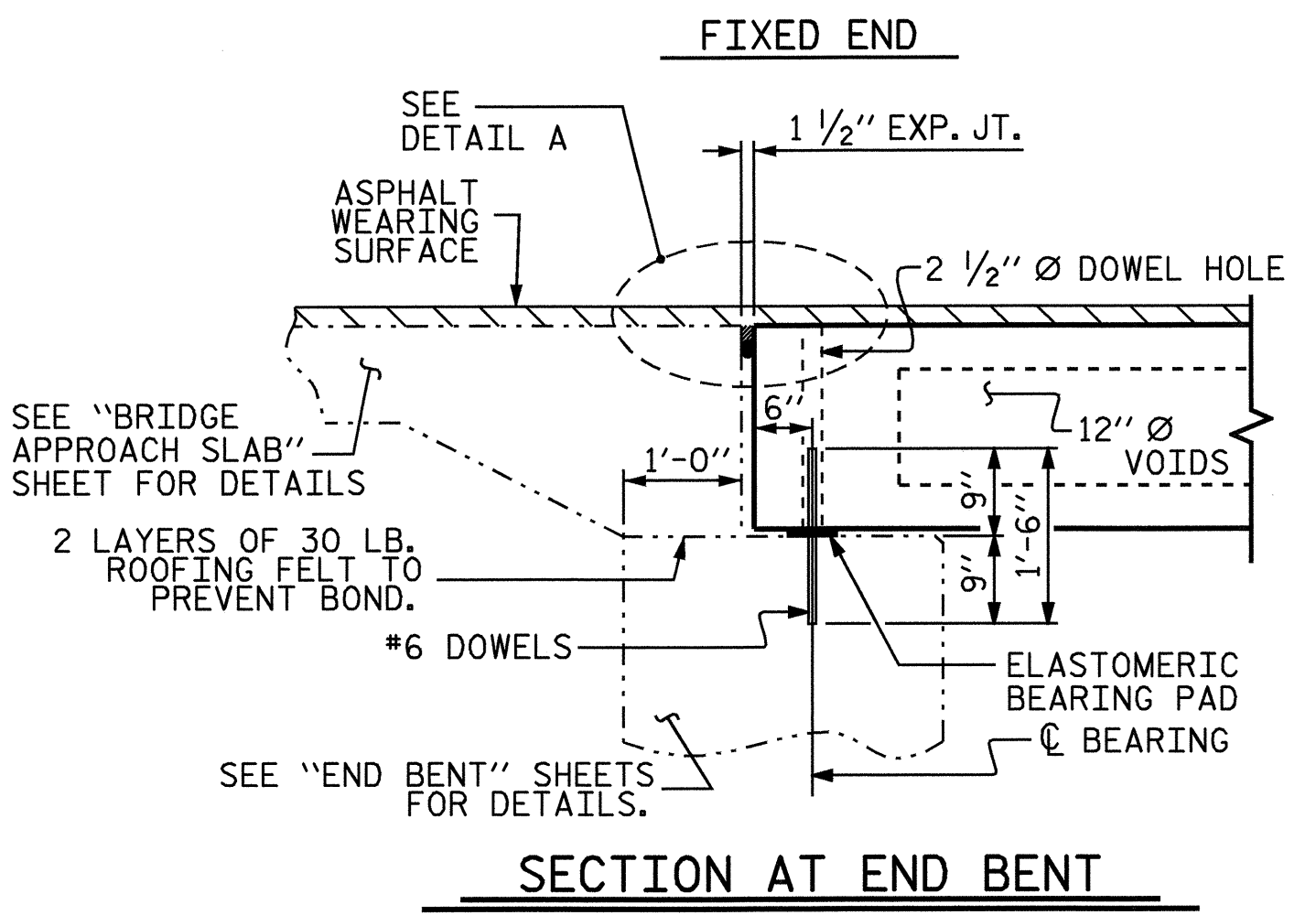
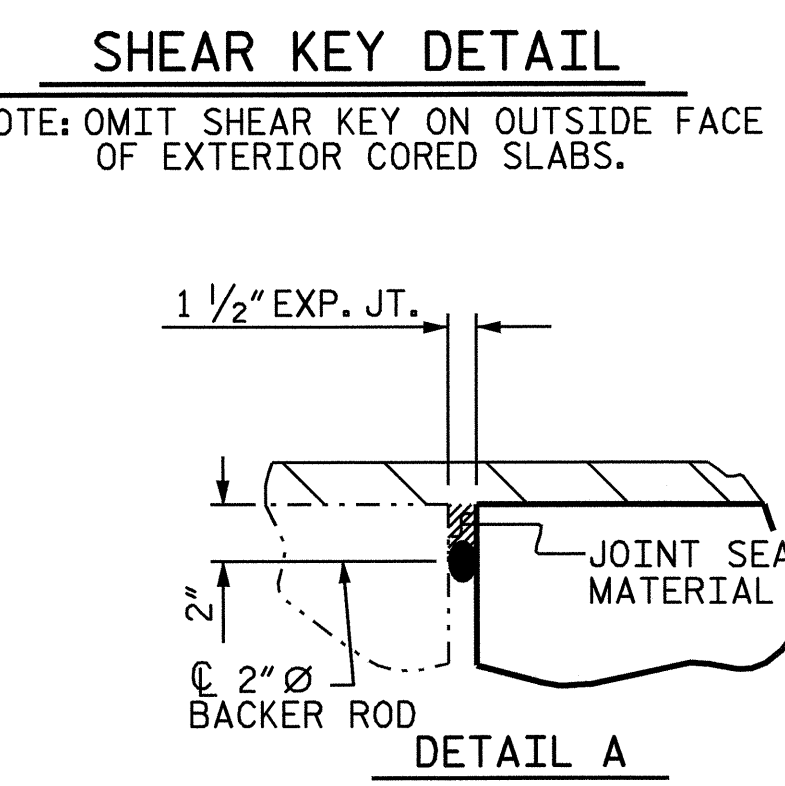


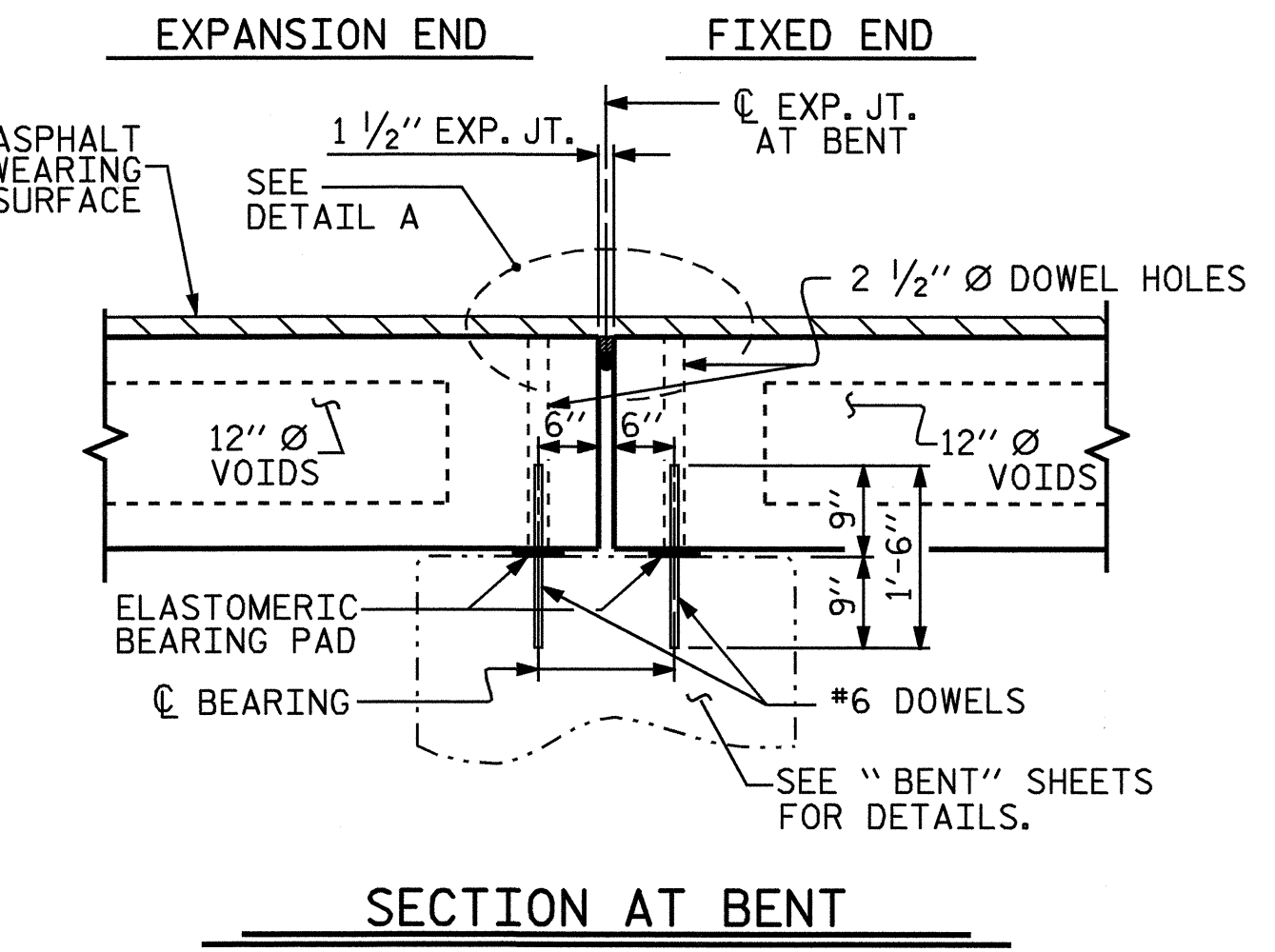
TYPICAL SECTION



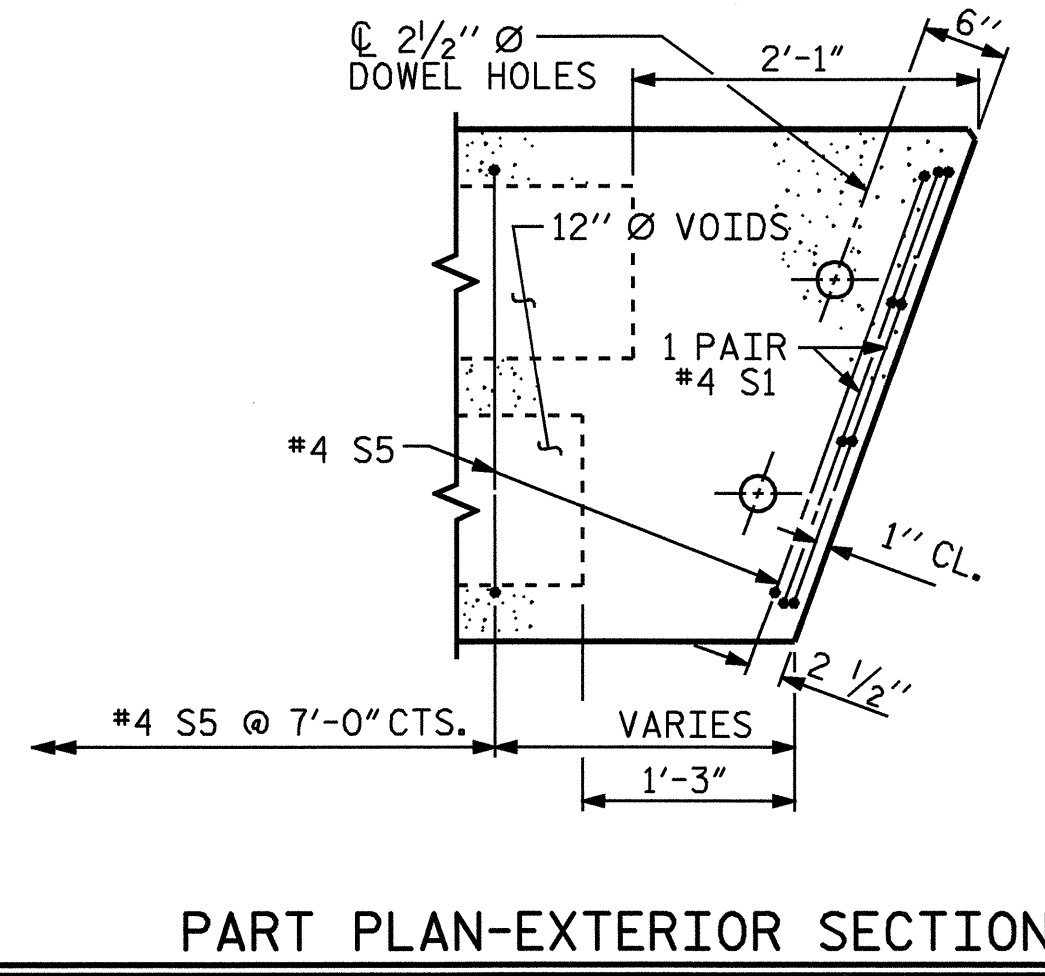
SECTION X-X SECTION Y-Y
GROUTED RECESS AT END OF POST-TENSIONED STRAND CORED SLABS



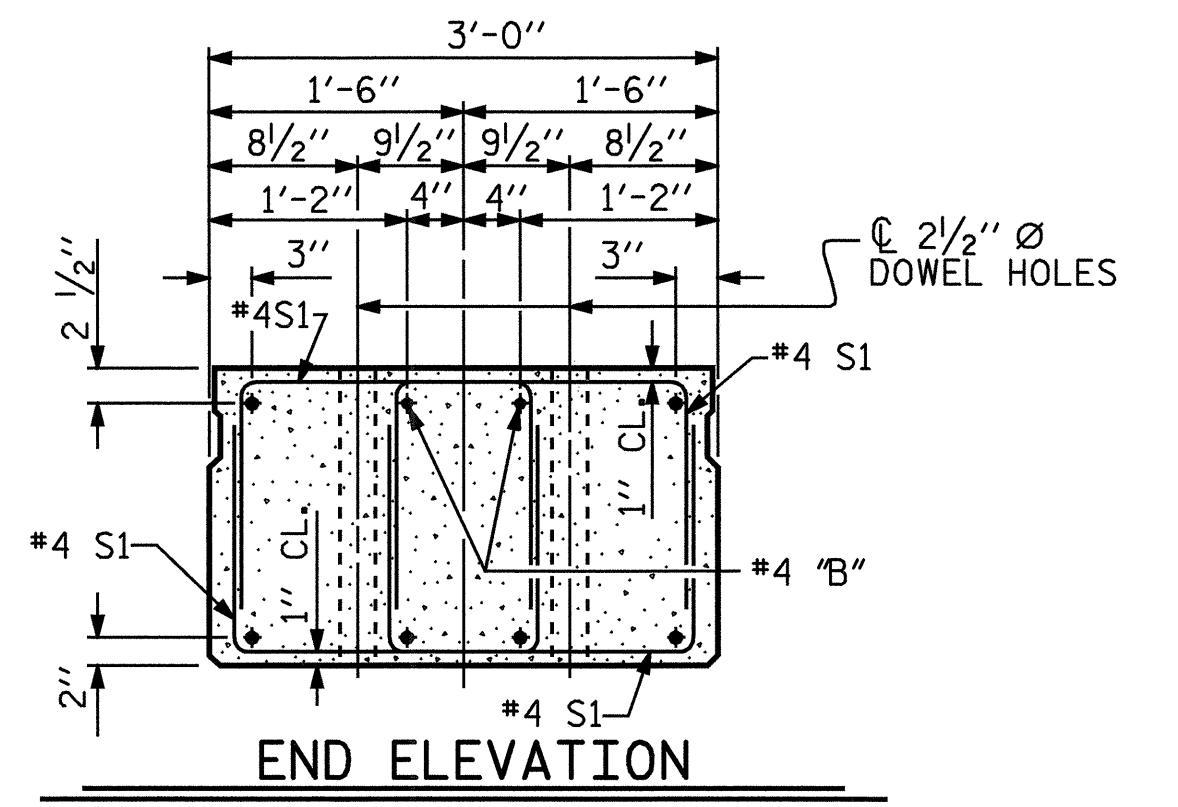
SECTION AT END BENT



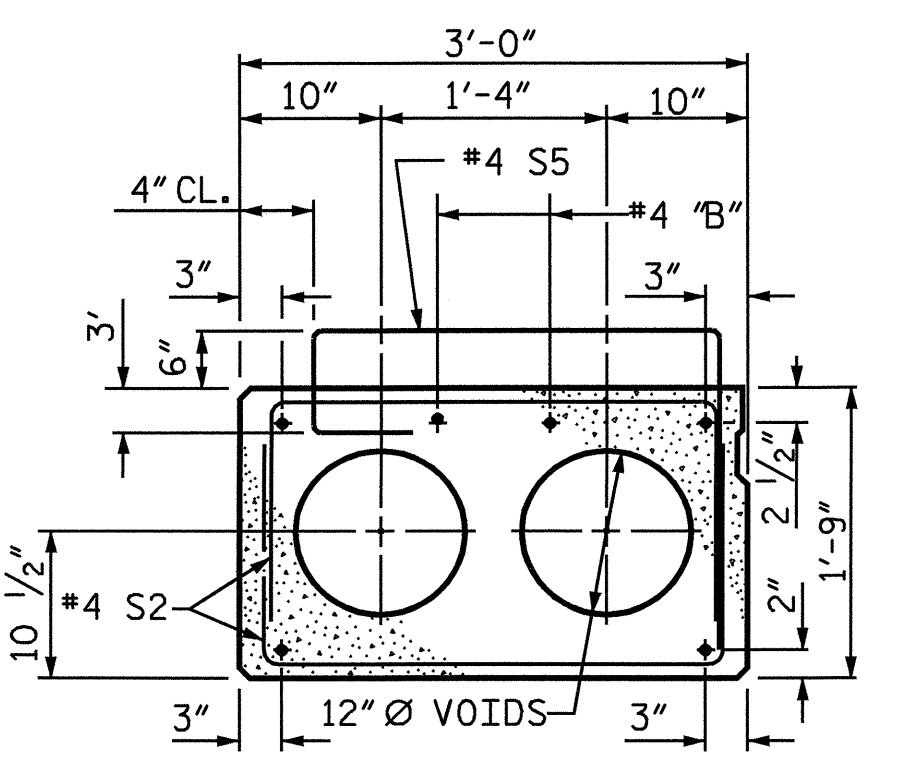
SECTION AT BENT



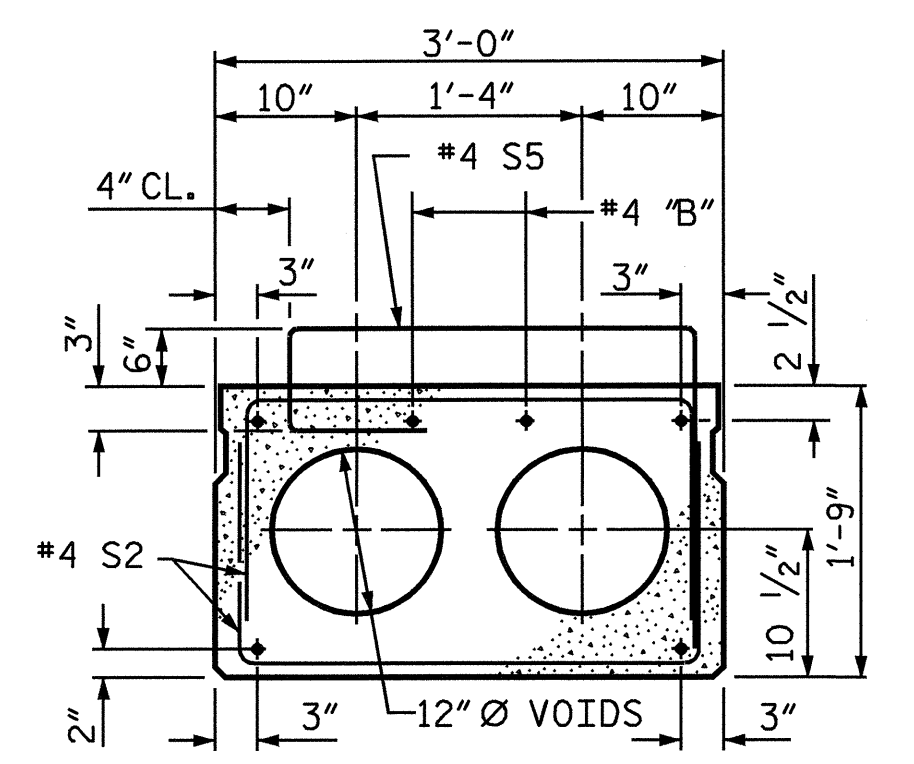
PART PLAN-EXTERIOR SECTION



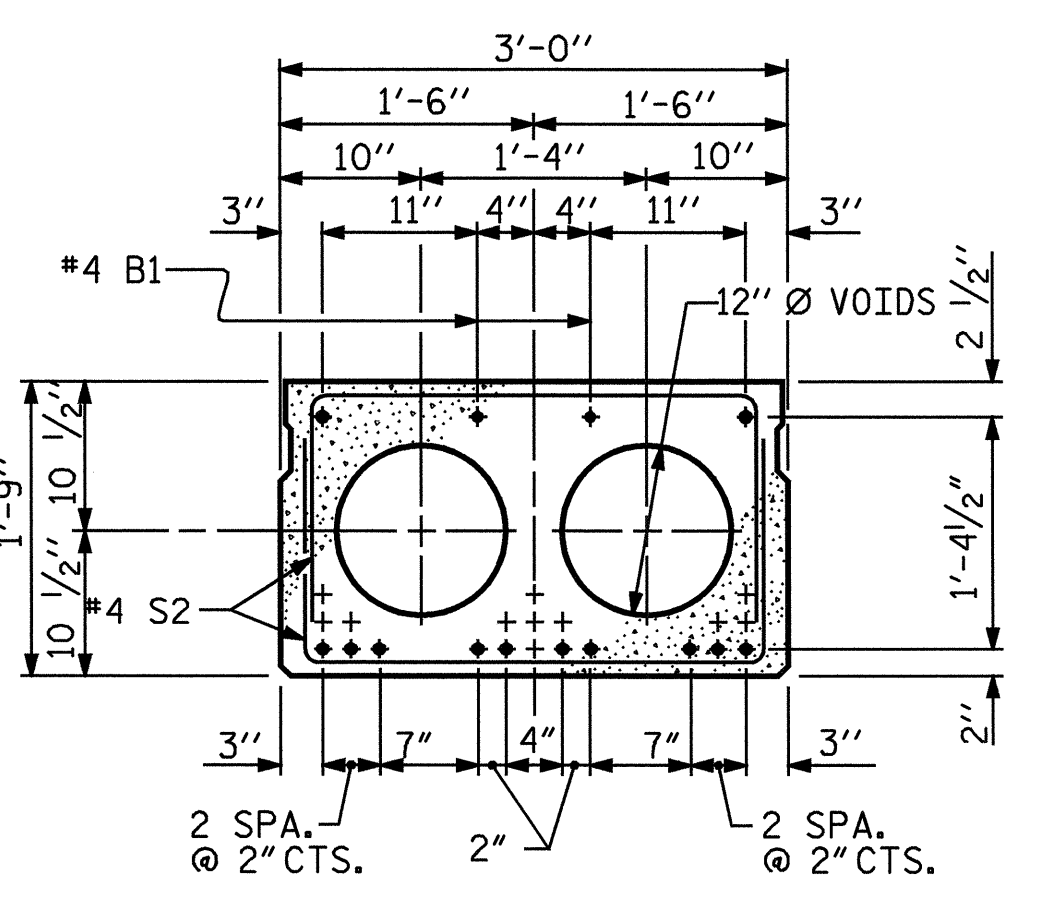
END ELEVATION



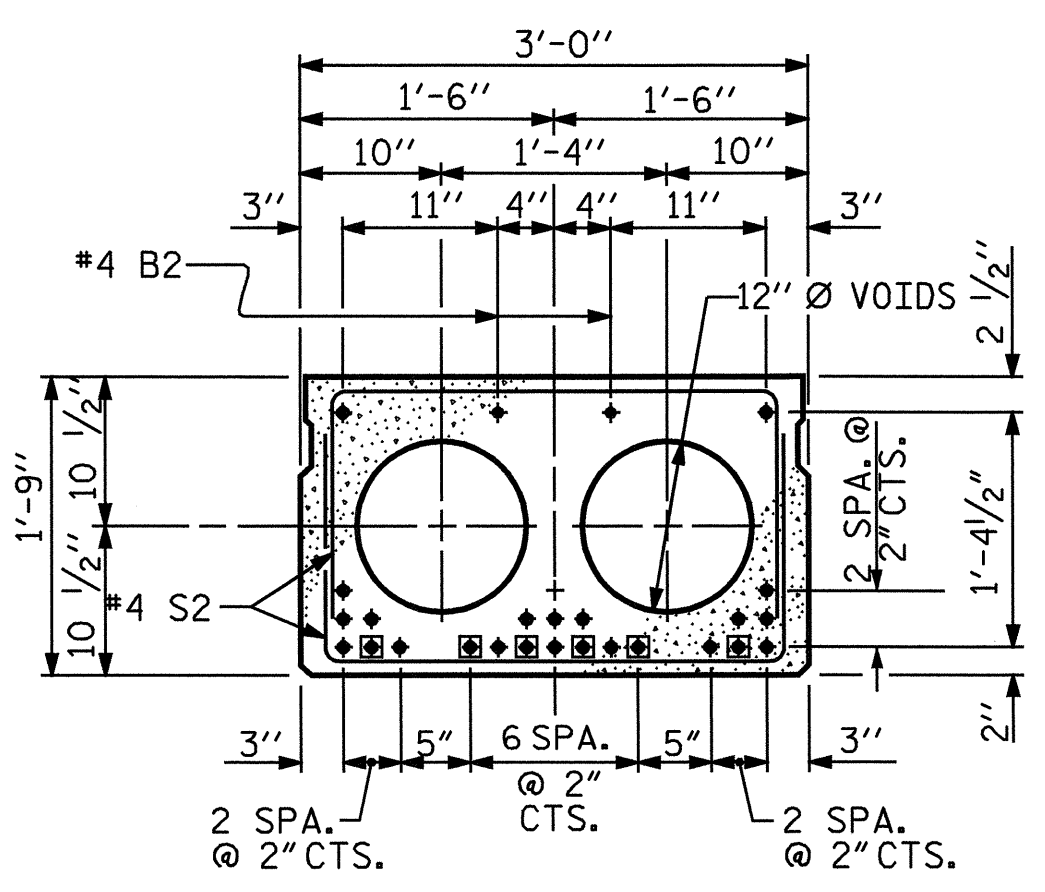
TYPE I EXTERIOR SLAB SIDEWALK SECTION
STRAND LAYOUT NOT SHOWN (EXTERIOR SLAB SECTION)



TYPE II INTERIOR SLAB SIDEWALK SECTION
STRAND LAYOUT NOT SHOWN (INTERIOR SLAB SECTION ADJACENT TO EXTERIOR SLAB SECTION)

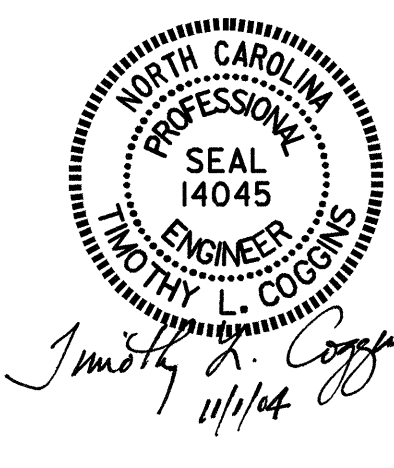


SPAN "A" & "C" TYPE III INTERIOR SLAB SECTION
12 - 1/2" Ø LOW RELAXATION STRAND LAYOUT



SPAN "B" TYPE III INTERIOR SLAB SECTION
24 - 1/2" Ø LOW RELAXATION STRAND LAYOUT

□ BOND SHALL BE BROKEN AT THESE STRANDS AT A DISTANCE OF 4'-6" FROM END OF THE CORED SLAB UNIT.



ASSEMBLED BY :	PEGGY ADKINS	DATE :	8-03
CHECKED BY :	T. AVERETTE	DATE :	8-04
DRAWN BY :	WJH 4/89	REV. 8/16/99	RWW/LES
CHECKED BY :	FCJ 5/89	REV. 10/17/00	RWW/LES
		REV. 7/10/01R	RWW/LES

PROJECT NO. B-3685
PITT COUNTY
STATION: 17+47.50 -L-

STATE OF NORTH CAROLINA DEPARTMENT OF TRANSPORTATION RALEIGH					
STANDARD 3'-0" X 1'-9" PRESTRESSED CONCRETE CORED SLAB UNIT					
OCTOBER 1981					
REVISIONS					
NO.	BY:	DATE:	NO.	BY:	DATE:
1			3		
2			4		
SHEET NO. S-4 TOTAL SHEETS 27					