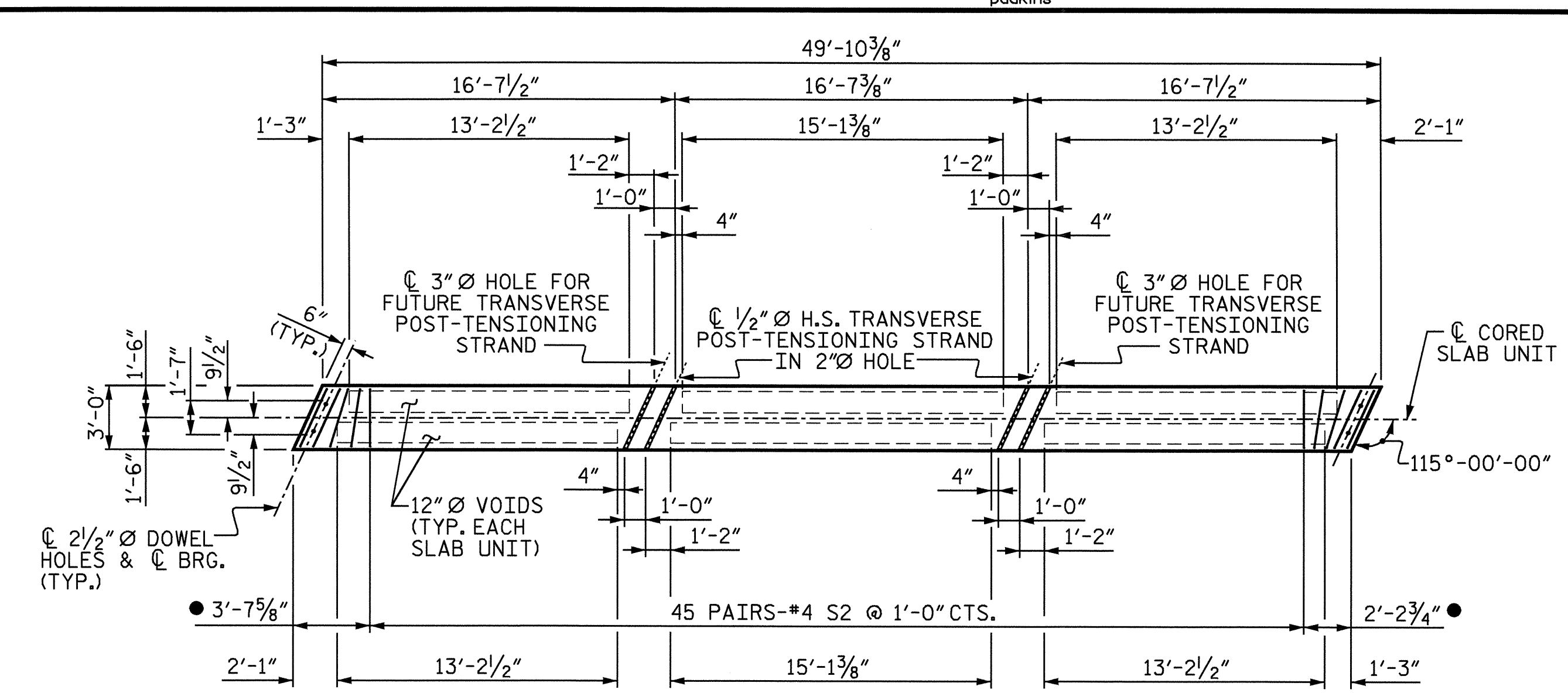
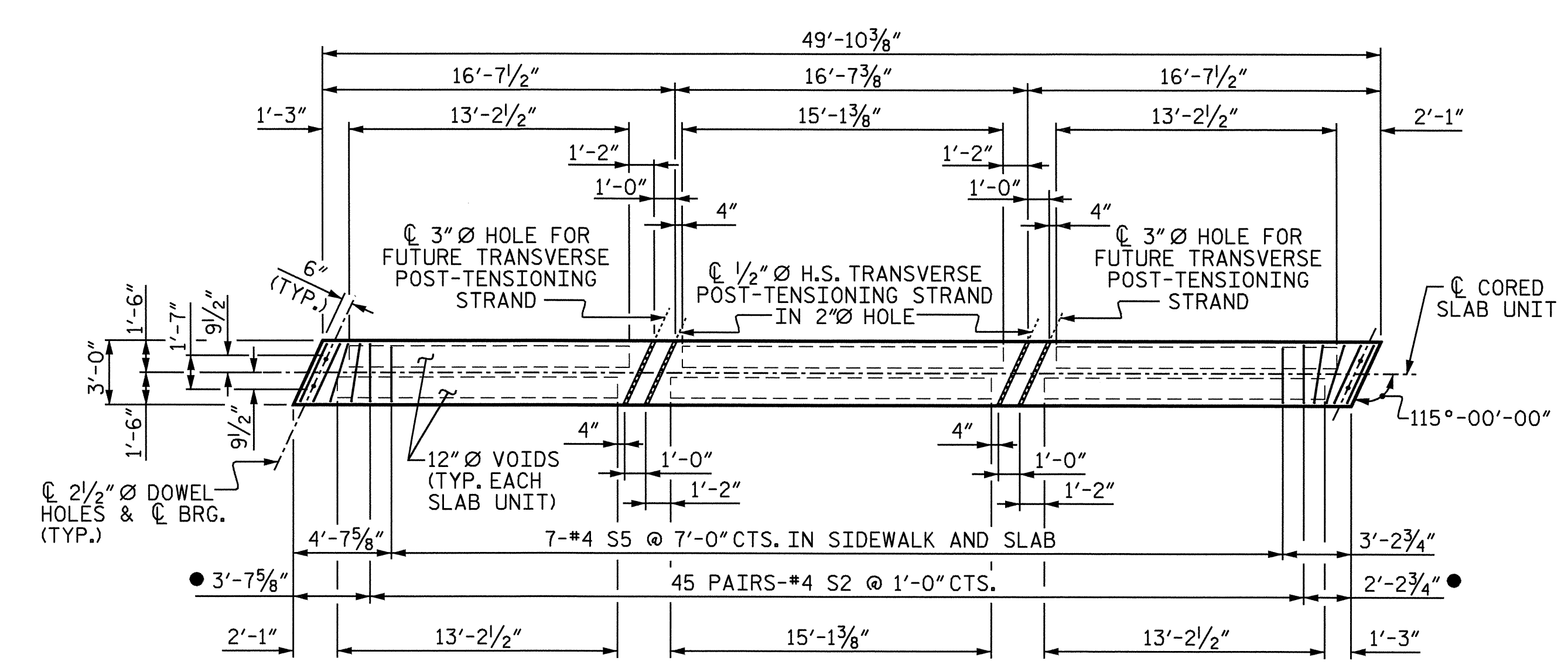


PLAN OF SPAN B



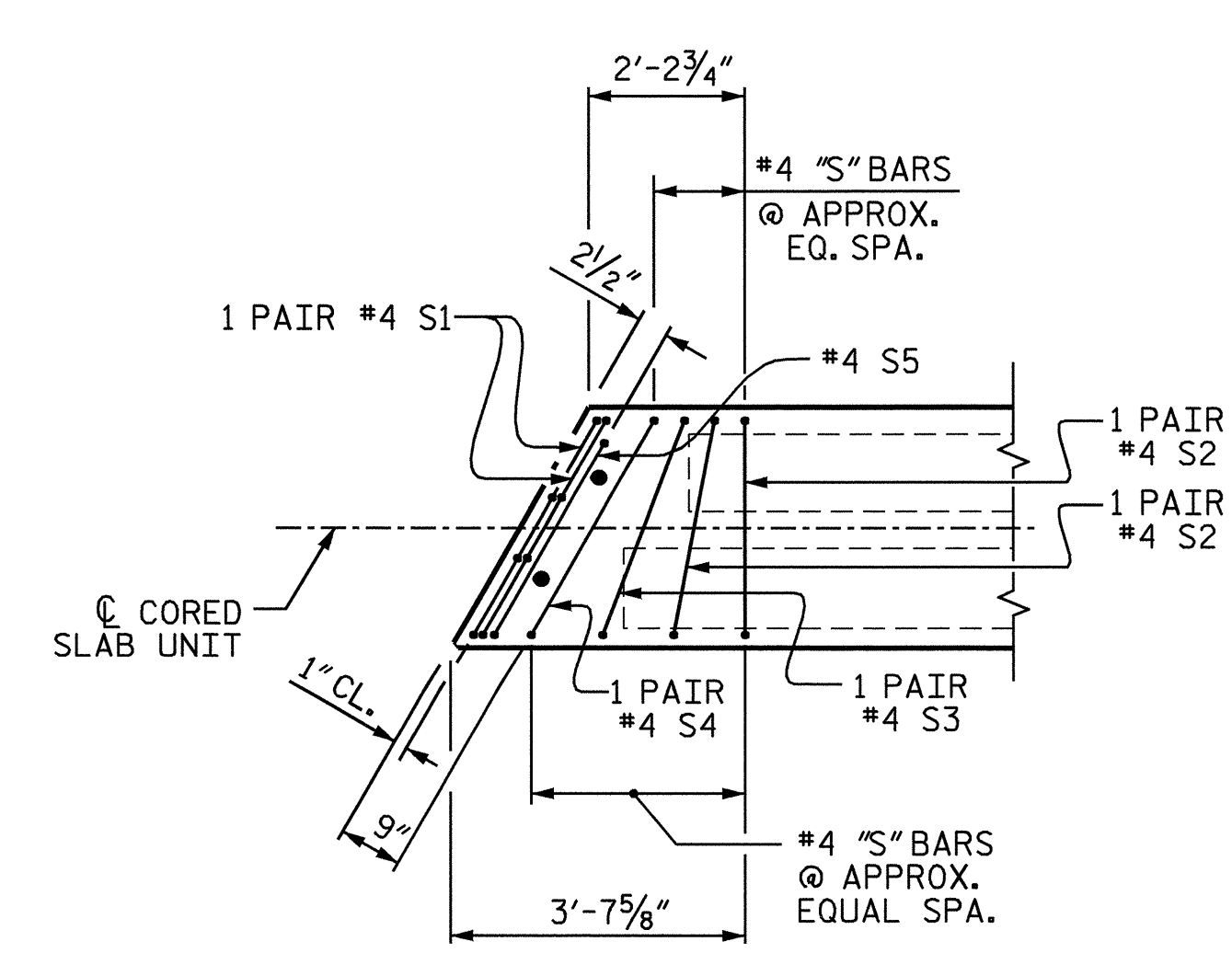
PLAN OF TYPE III CORED SLAB UNIT

● FOR PLACEMENT OF #4 "S" BARS, SEE DETAIL "A".



PLAN OF TYPE I & TYPE II CORED SLAB UNIT

● FOR PLACEMENT OF #4 "S" BARS, SEE DETAIL "A".



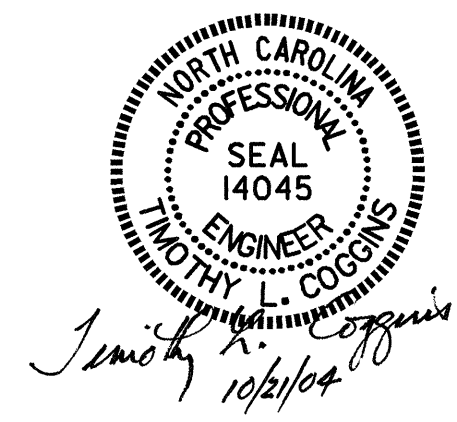
DETAIL "A"

TYPE I OR II SECTION SHOWN -  
 TYPE III SECTION SIMILAR  
 EXCEPT OMIT S5 BARS  
 (TYP. EA. END)

PROJECT NO. B-3685  
PITT COUNTY  
 STATION: 17+47.50 -L-

STATE OF NORTH CAROLINA  
 DEPARTMENT OF TRANSPORTATION  
 RALEIGH

PLAN OF SPAN B



DRAWN BY: PEGGY ADKINS DATE: 8-03  
 CHECKED BY: T. AVERETTE DATE: 8-04

REVISIONS						SHEET NO. S-6
NO.	BY:	DATE:	NO.	BY:	DATE:	
1			3			TOTAL SHEETS 27
2			4			