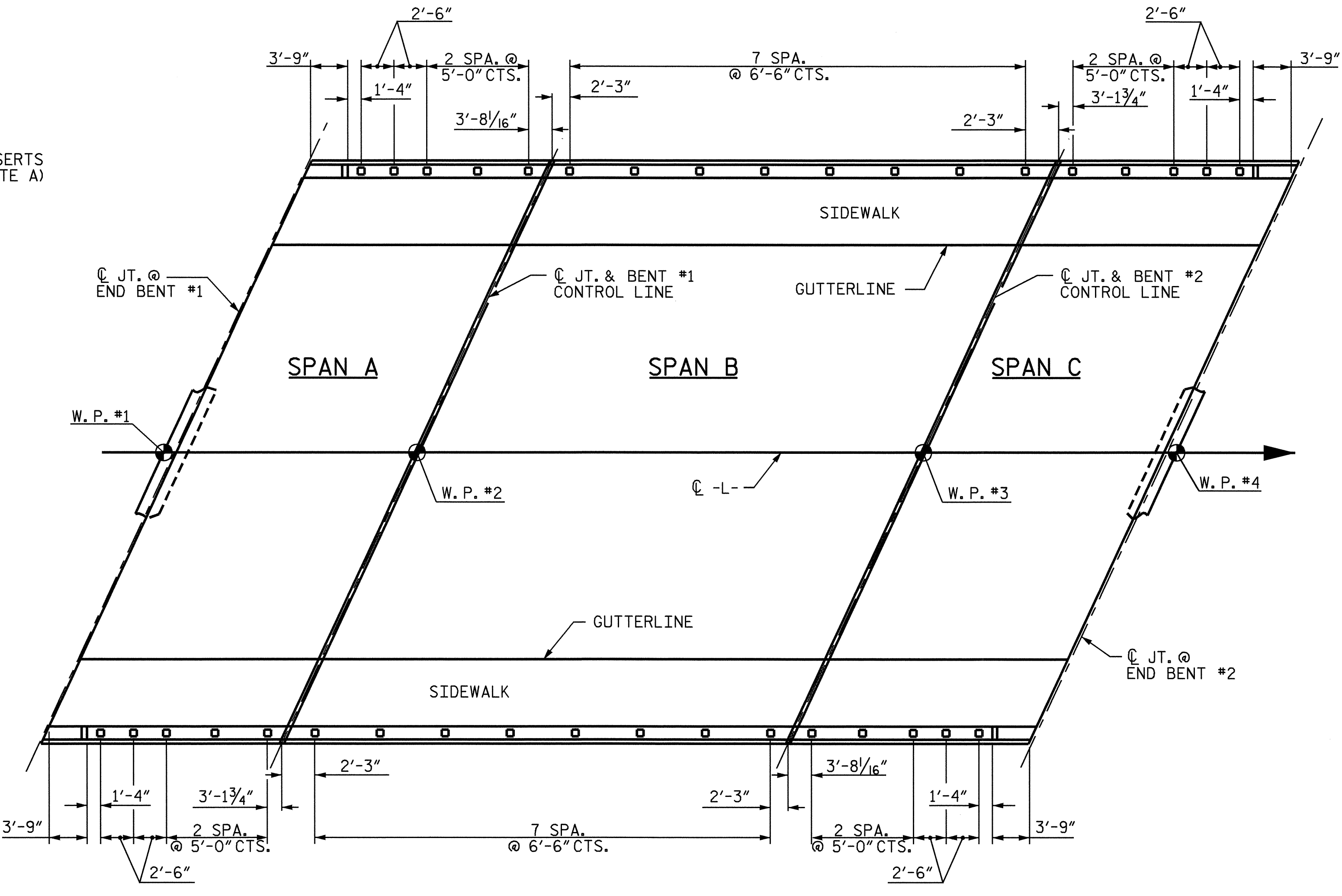
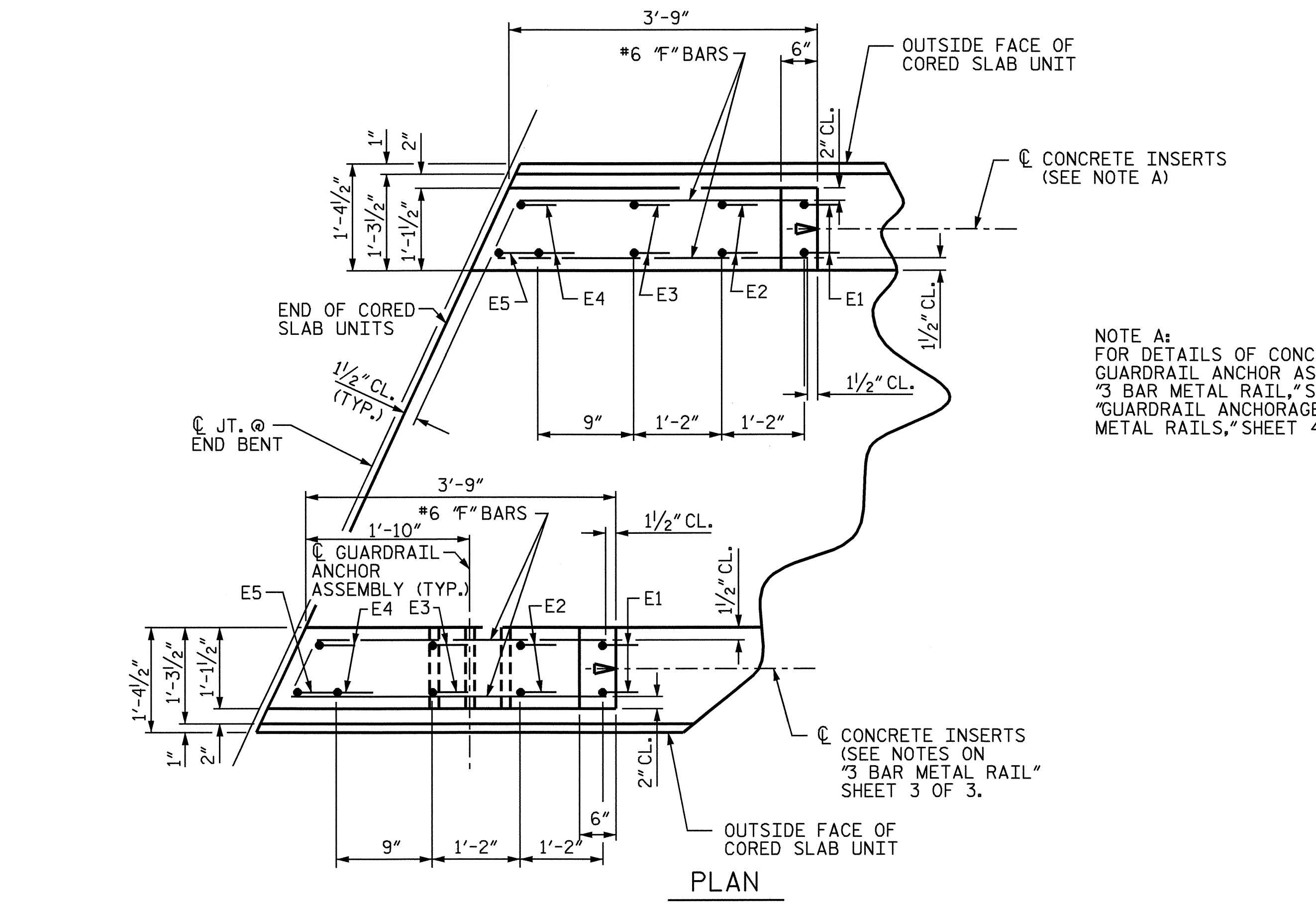


ELEVATION

END VIEW

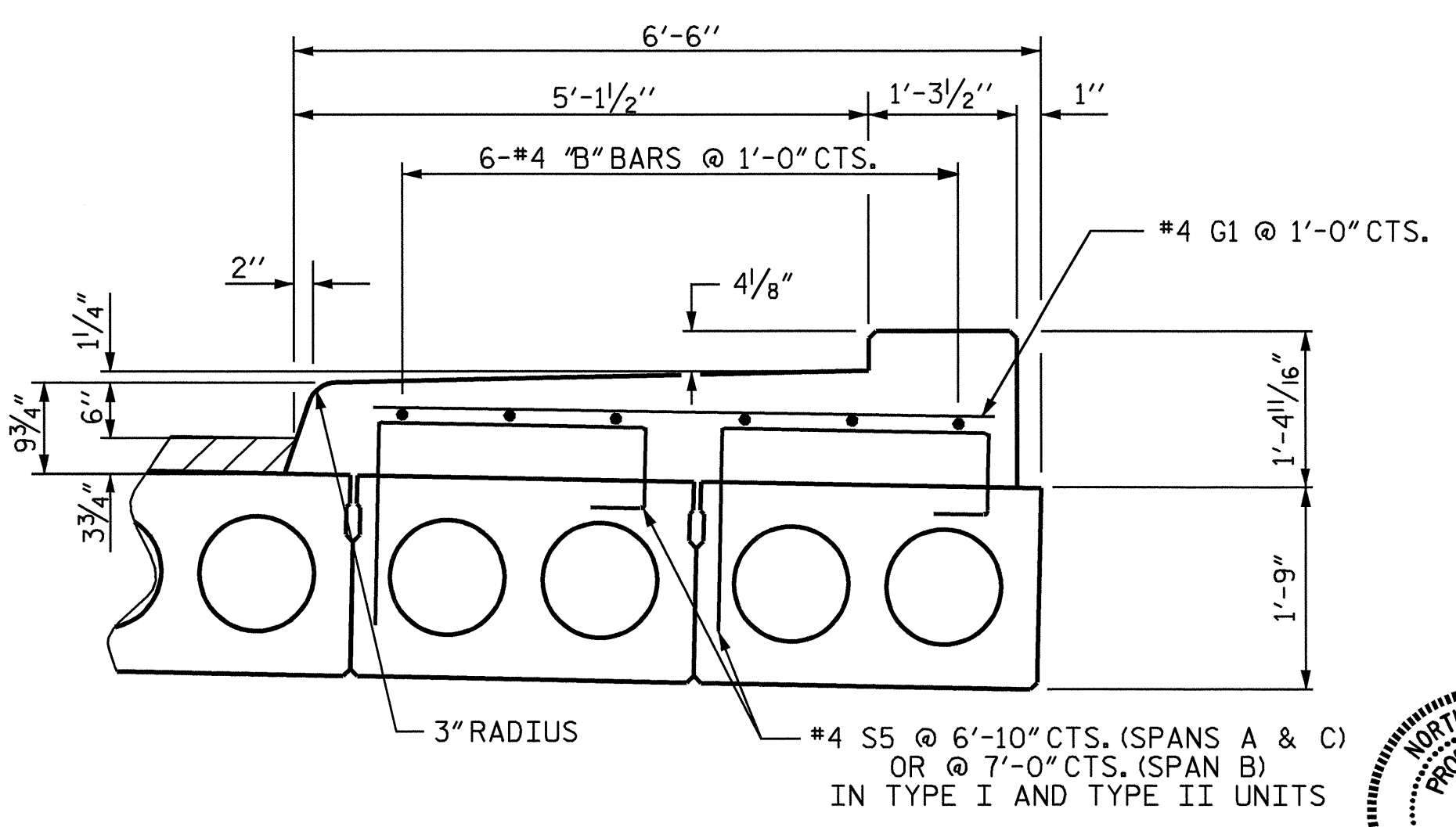


PLAN OF RAIL POST SPACINGS  
 (36 POST & ANCHOR ASSEMBLIES REQUIRED)



END POST DETAILS

NOTE A:  
 FOR DETAILS OF CONCRETE INSERTS AND  
 GUARDRAIL ANCHOR ASSEMBLY, SEE  
 "3 BAR METAL RAIL," SHEET 3 OF 4 AND  
 "GUARDRAIL ANCHORAGE DETAILS FOR  
 METAL RAILS," SHEET 4 OF 4.

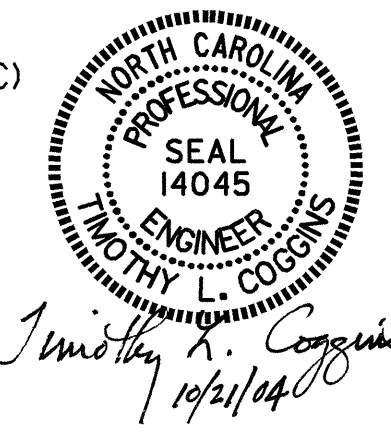


SECTION THRU SIDEWALK

PROJECT NO. B-3685  
PITT COUNTY  
 STATION: 17+47.50 -L-

STATE OF NORTH CAROLINA  
 DEPARTMENT OF TRANSPORTATION  
 RALEIGH

SIDEWALK &  
 END POST DETAILS



ASSEMBLED BY : PEGGY ADKINS DATE : 8-03  
 CHECKED BY : T. AVERETTE DATE : 8-04

REVISIONS						SHEET NO.	
NO.	BY:	DATE:	NO.	BY:	DATE:	S-7	
1			3			TOTAL SHEETS	27
2			4				