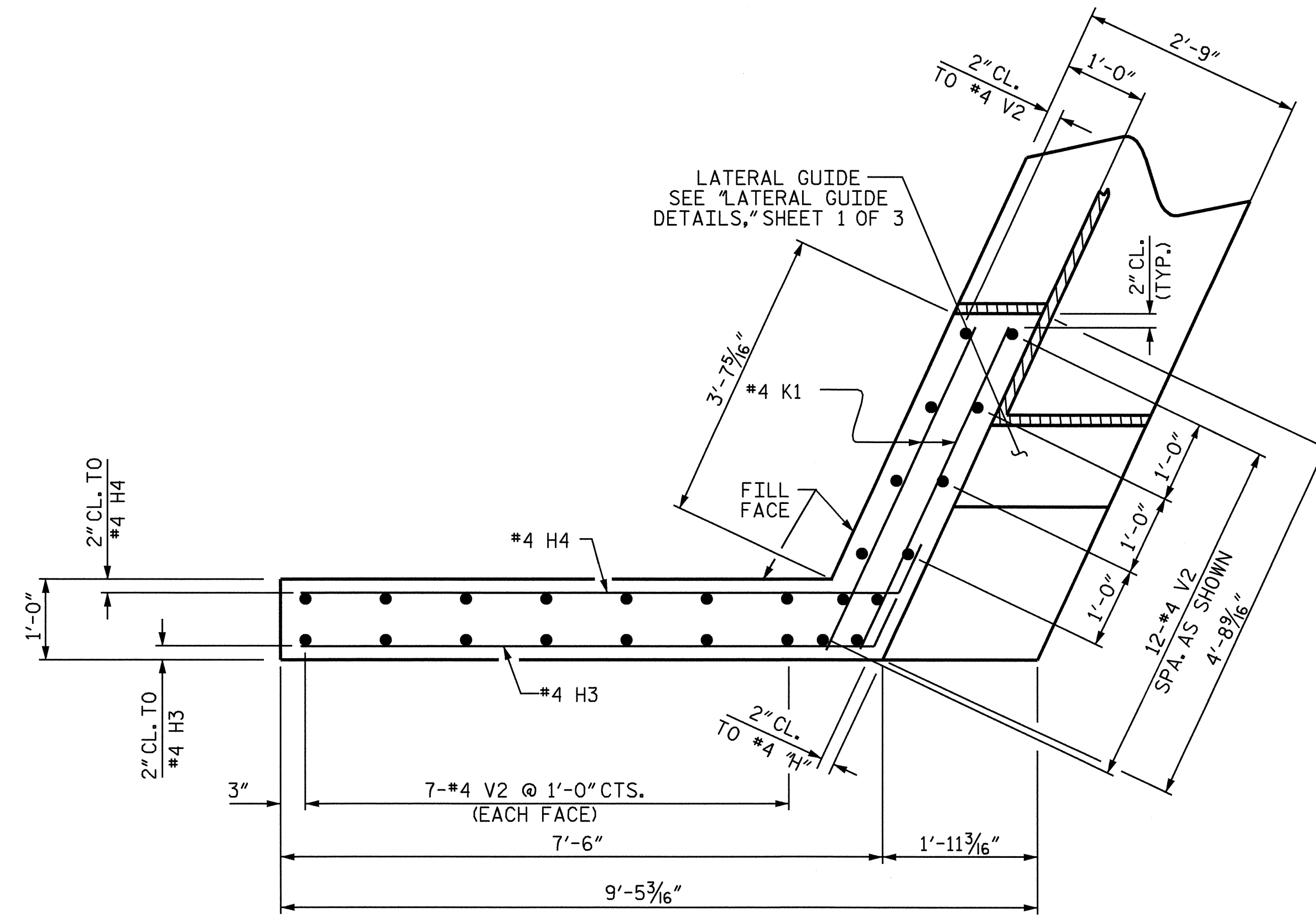
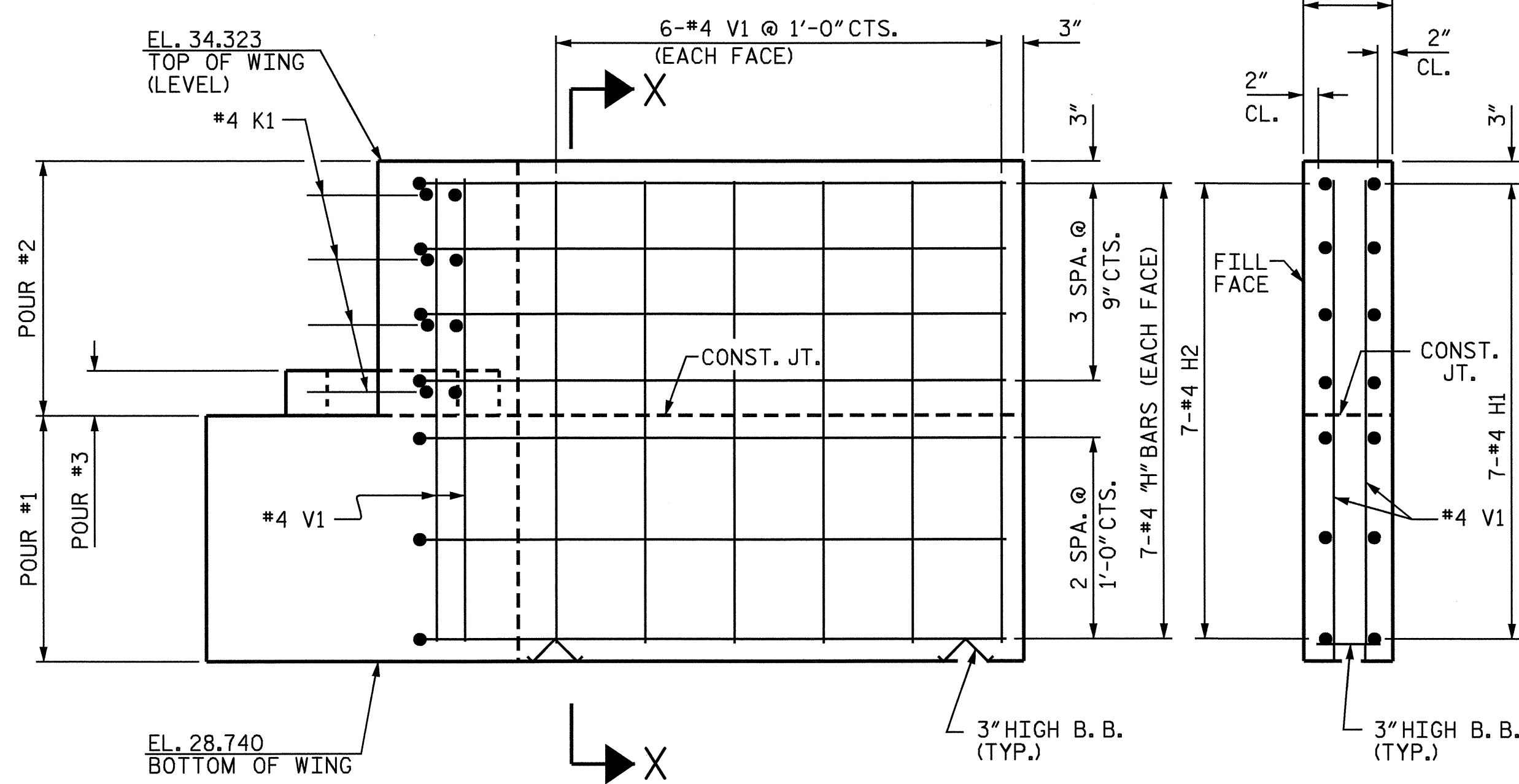


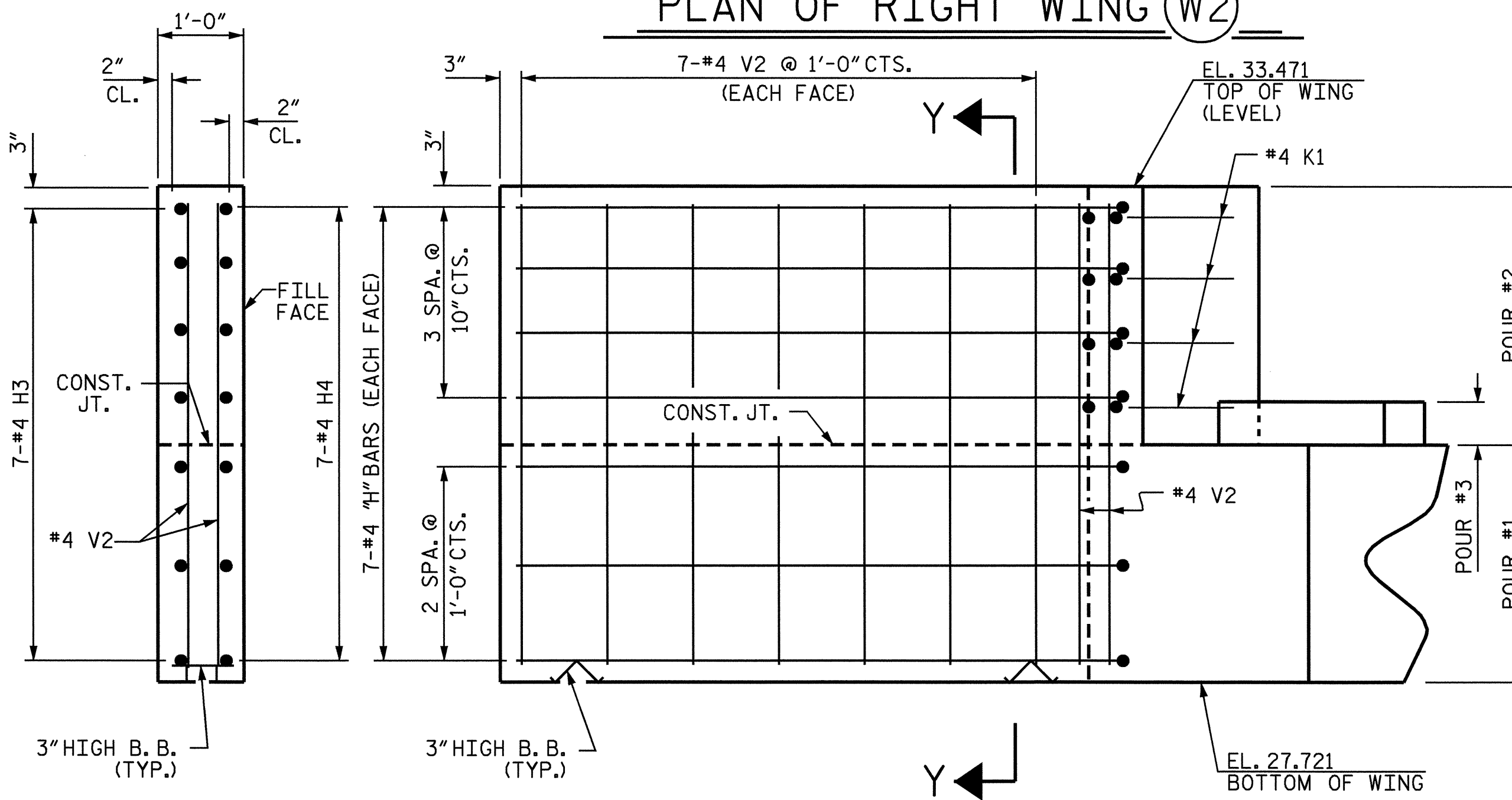
PLAN OF LEFT WING (W1)



PLAN OF RIGHT WING (W2)



ELEVATION OF LEFT WING (W1)



ELEVATION OF RIGHT WING (W2)

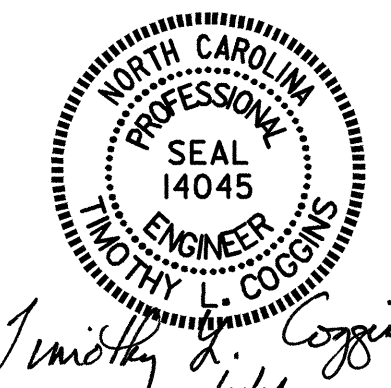
SECTION X-X

SECTION Y-Y

PROJECT NO. B-3685  
 PITT COUNTY  
 STATION: 17+47.50 -L-

SHEET 2 OF 3

STATE OF NORTH CAROLINA  
 DEPARTMENT OF TRANSPORTATION  
 RALEIGH  
 SUBSTRUCTURE  
 END BENT #1



REVISIONS						SHEET NO.	
NO.	BY:	DATE:	NO.	BY:	DATE:	S-14	
1			3			TOTAL SHEETS	
2			4			27	

DRAWN BY: PEGGY ADKINS DATE: 4-04  
 CHECKED BY: T. AVERETTE DATE: 5-04

21-OCT-2004 15:26  
 W:\squad\b3685\pdkins\lmcrostation\B3685\_SD\_EB1.01.dgn  
 pdkins