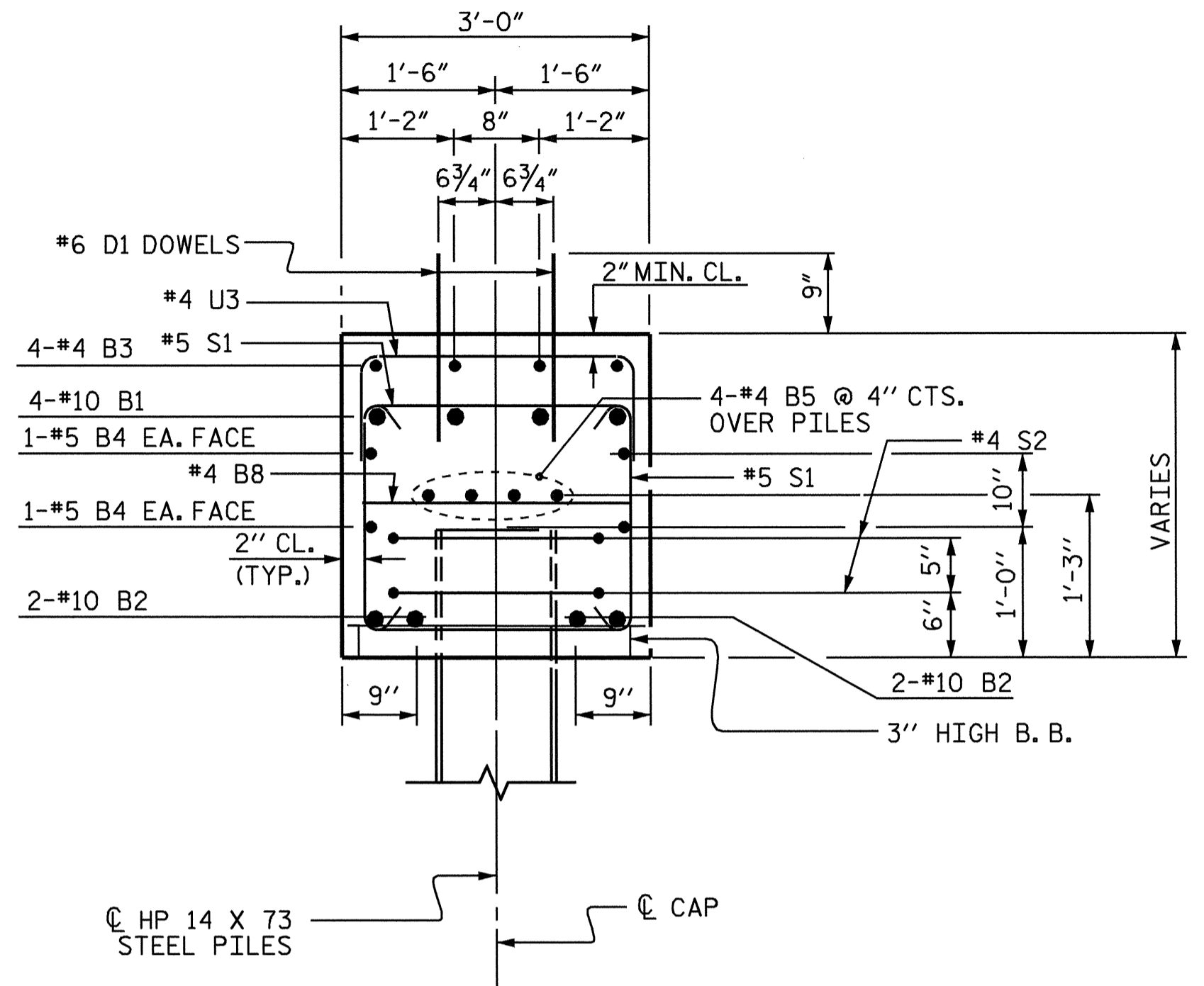


SECTION A-A



SECTION B-B

BAR TYPES		BILL OF MATERIAL				
BENT #1						
BAR	NO.	SIZE	TYPE	LENGTH	WEIGHT	
B1	8	10	1	40'-3"	1386	
B2	8	10	STR	37'-3"	1282	
B3	8	4	STR	19'-0"	102	
B4	8	5	STR	34'-9"	290	
B5	12	4	STR	23'-10"	191	
B6	2	4	STR	2'-11"	4	
B7	2	4	STR	2'-8"	4	
B8	17	4	STR	2'-8"	30	
D1	76	6	STR	1'-6"	171	
S1	65	5	2	8'-4"	565	
S2	20	4	4	7'-7"	101	
U1	2	9	3	9'-10"	67	
U2	4	4	3	5'-6"	15	
U3	24	4	3	5'-8"	91	
U4	2	4	3	4'-7"	6	
U5	2	4	3	4'-2"	6	
U6	2	4	3	3'-8"	5	
U7	6	4	3	5'-2"	21	

REINFORCING STEEL LBS 4337

CLASS "A" CONCRETE BREAKDOWN

POUR #1 CAP 22.6 YD3

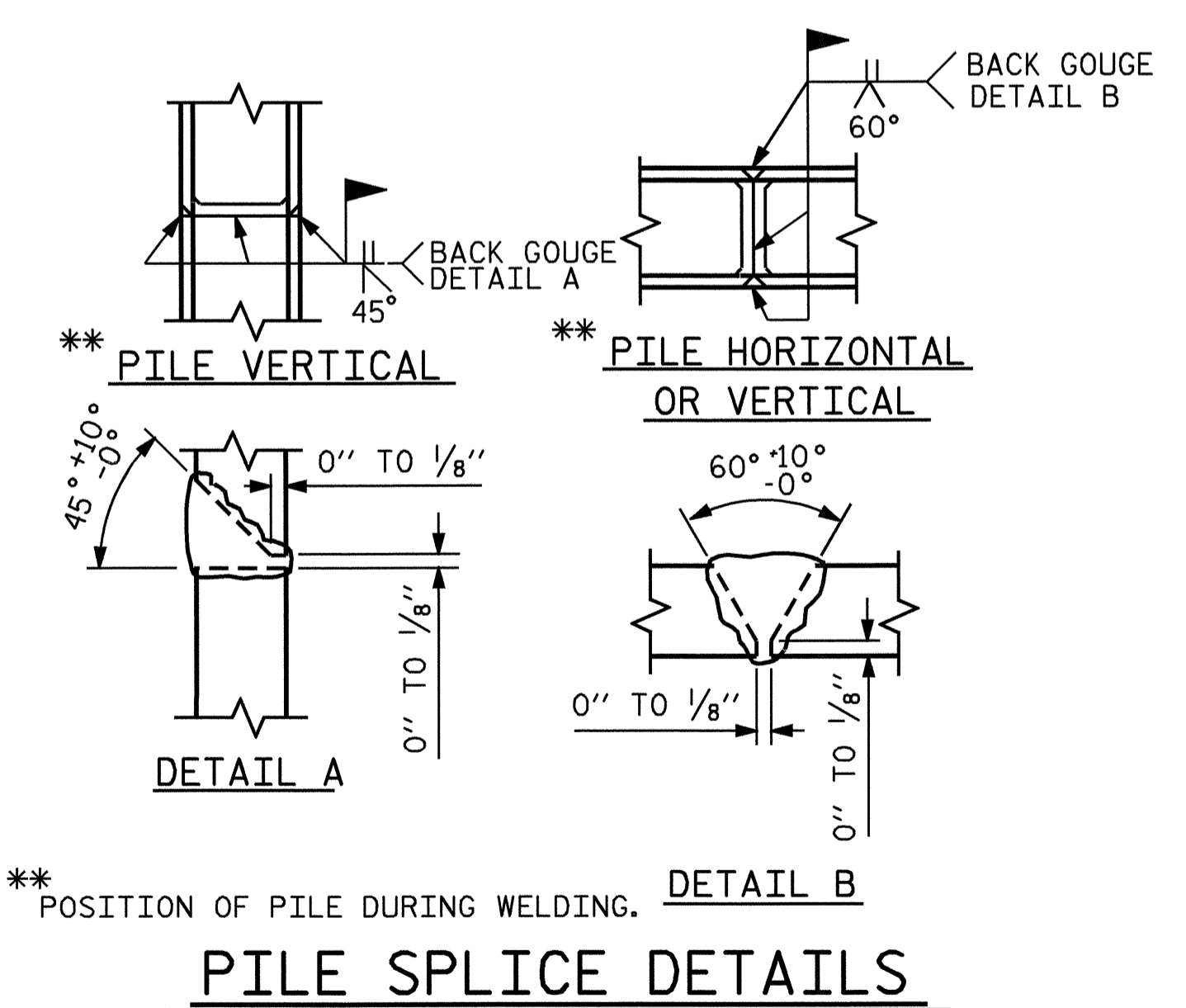
POUR #2 LATERAL GUIDES 0.2 YD3

CLASS "A" CONCRETE TOTAL 22.8 YD3

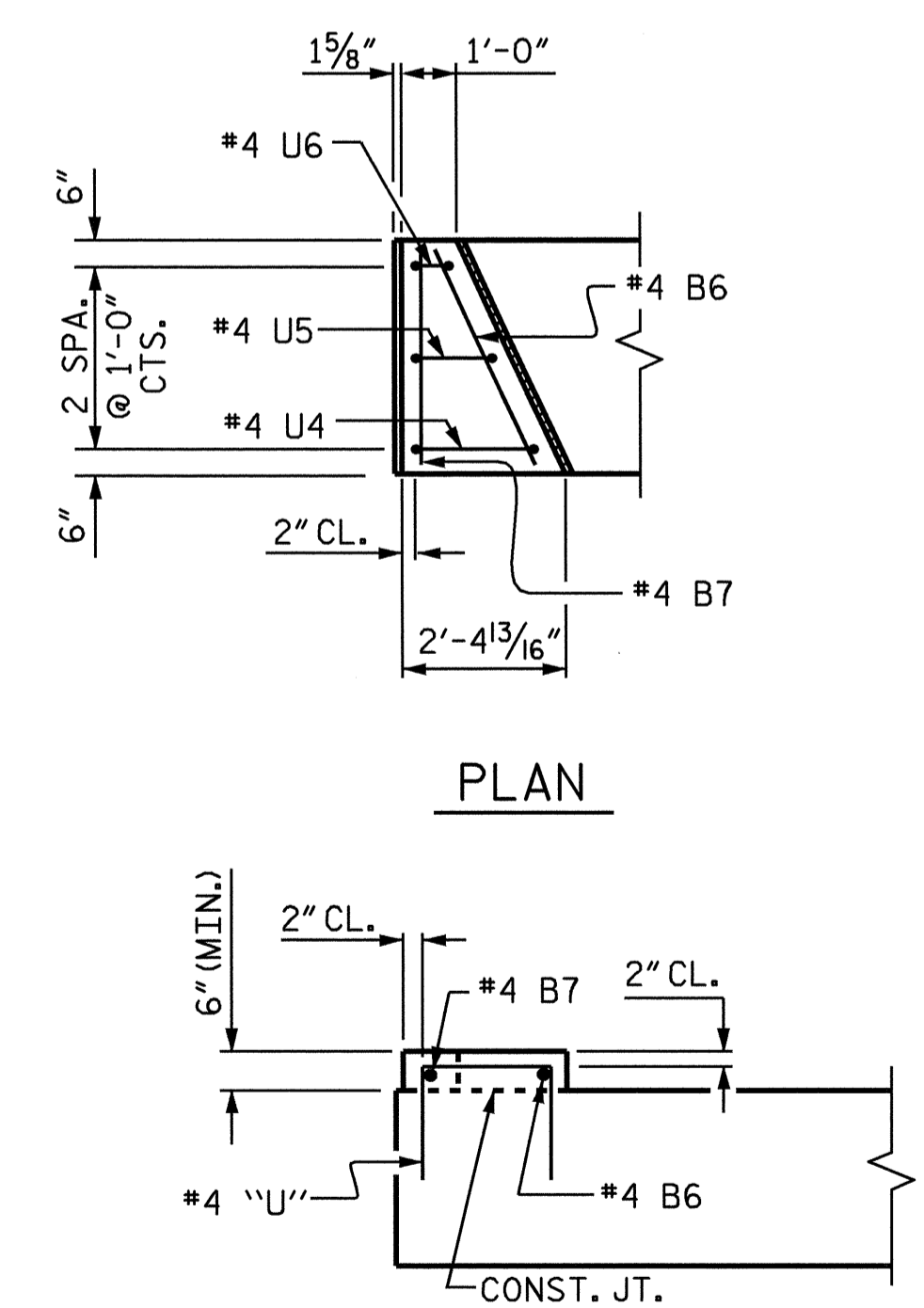
HP 14 X 73 STEEL PILES

NO. 10 LIN. FT. 300

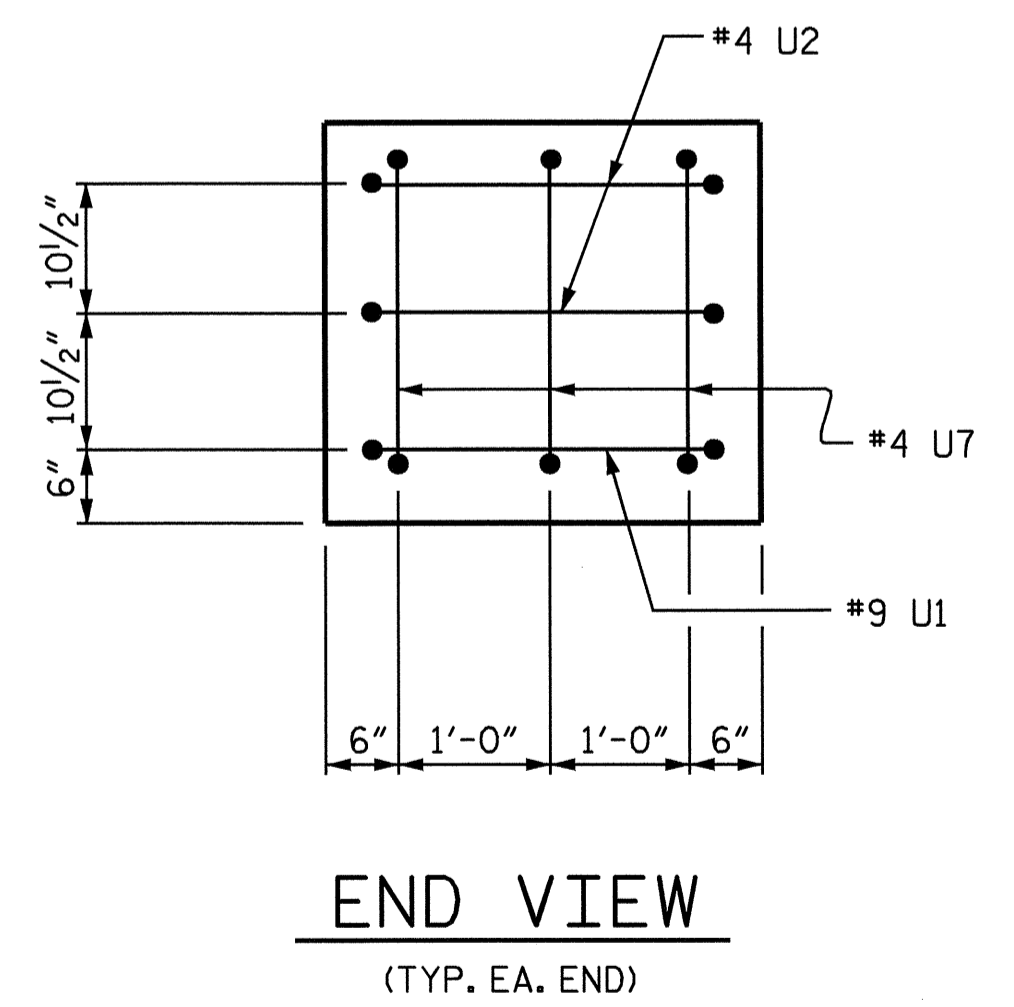
ALL BAR DIMENSIONS ARE OUT TO OUT.



PILE SPLICE DETAILS



LATERAL GUIDE DETAILS
(TYP. EA. LATERAL GUIDE)



END VIEW
(TYP. EA. END)

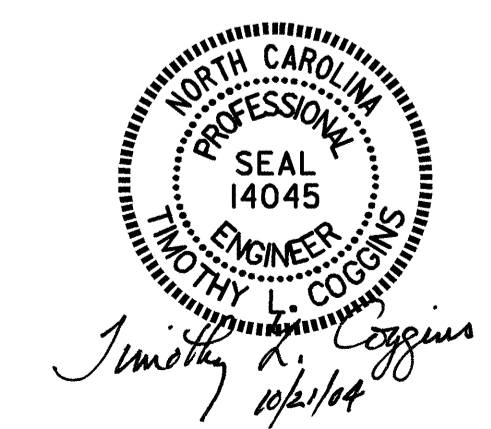
PROJECT NO. B-3685
PITT COUNTY
STATION: 17+47.50 -L-

SHEET 2 OF 2

STATE OF NORTH CAROLINA
DEPARTMENT OF TRANSPORTATION
RALEIGH

SUBSTRUCTURE
BENT #1

REVISIONS						SHEET NO.	
NO.	BY:	DATE:	NO.	BY:	DATE:	S-17	
1			3			TOTAL SHEETS 27	
2			4				



DRAWN BY: PEGGY ADKINS DATE: 7-04
CHECKED BY: T. L. AVERETTE DATE: 8-04