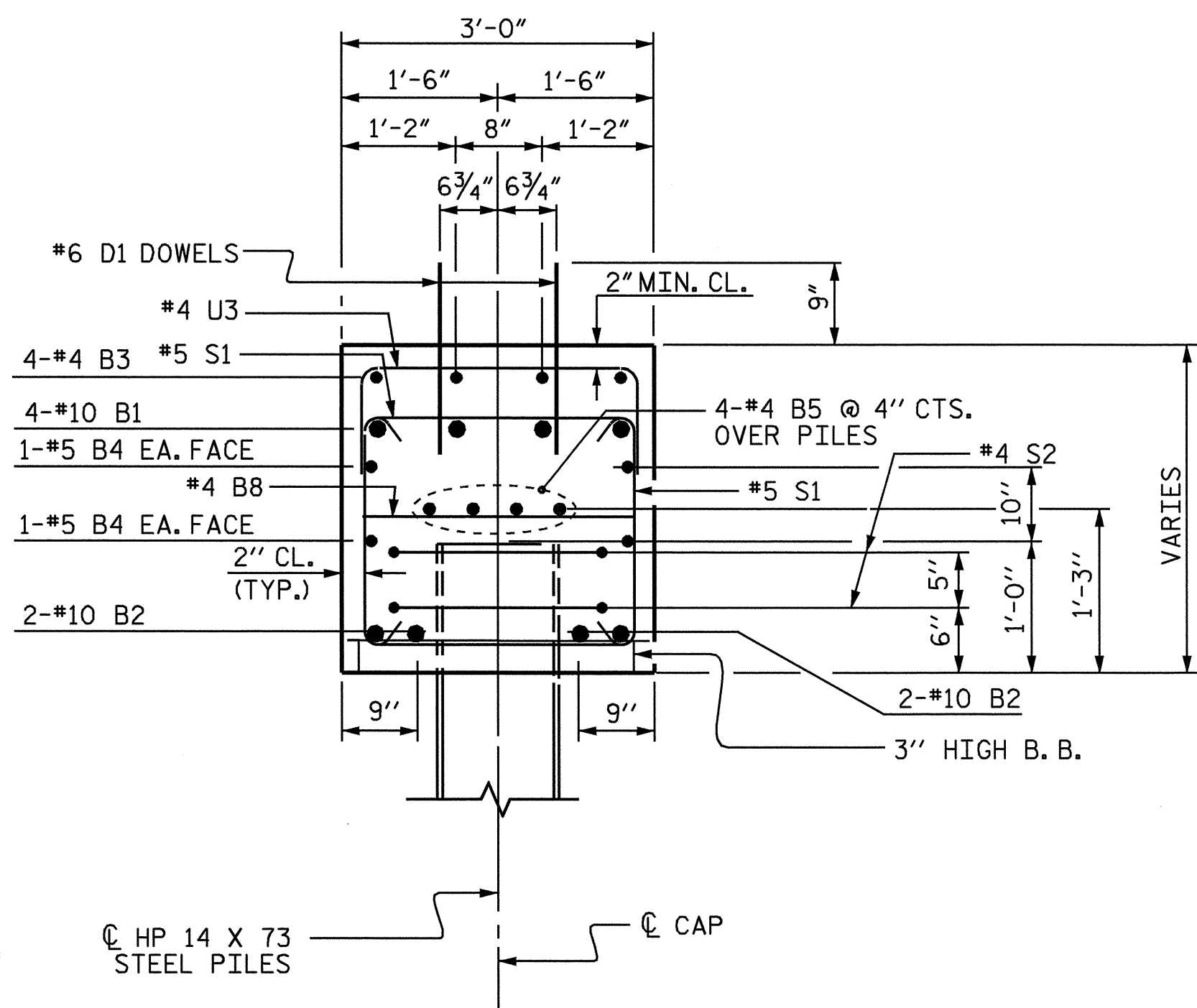
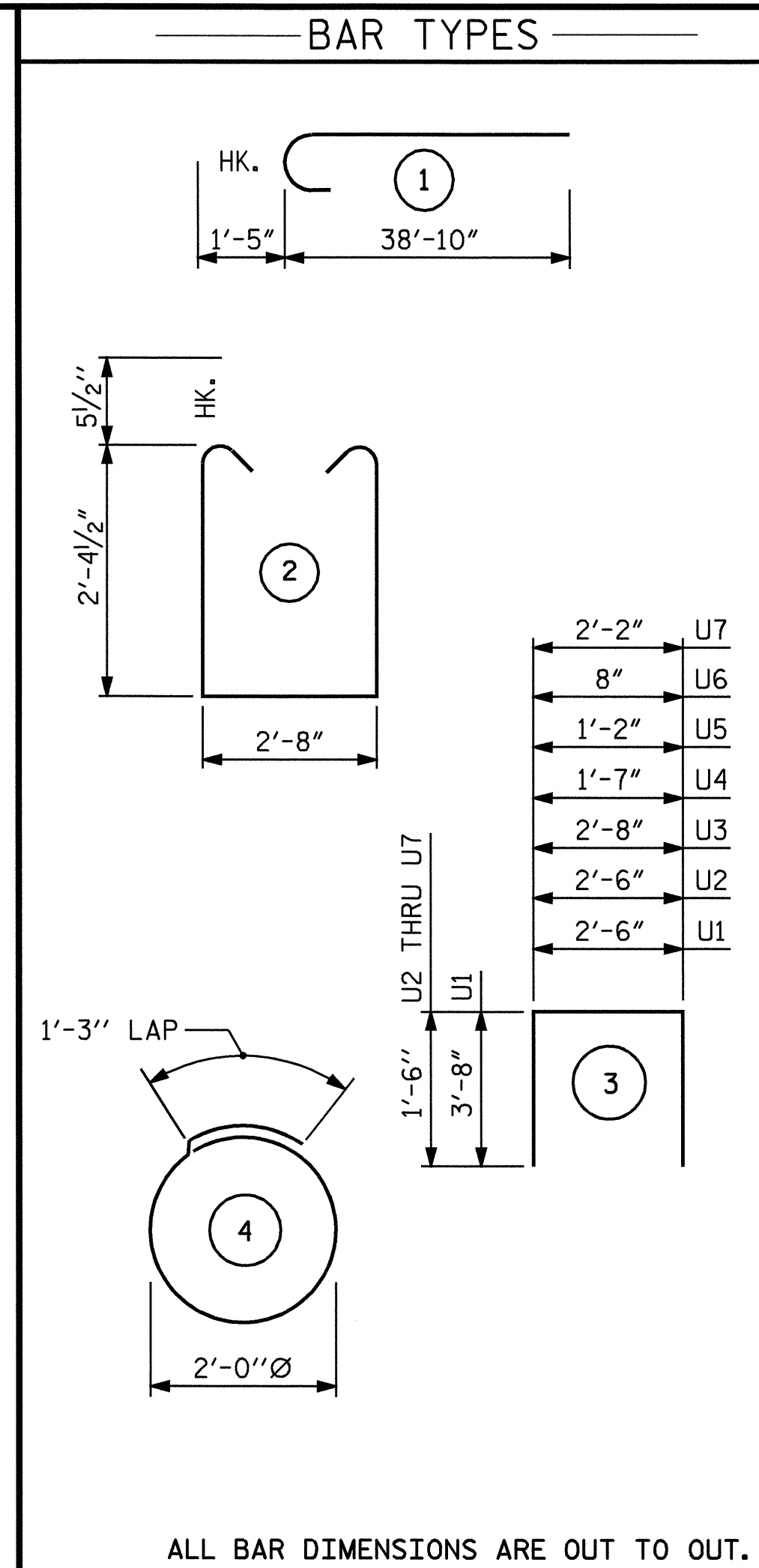


SECTION A-A



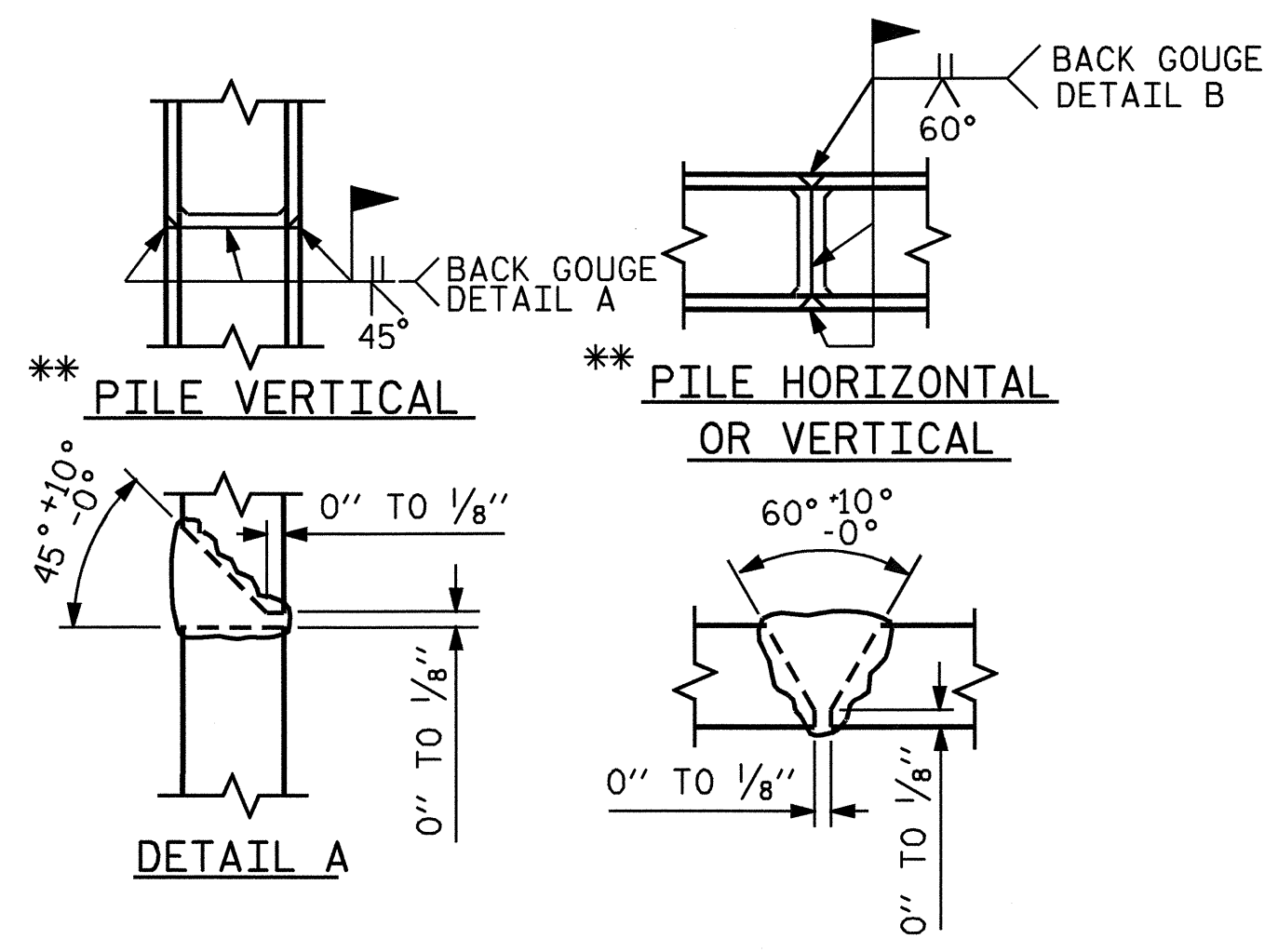
SECTION B-B



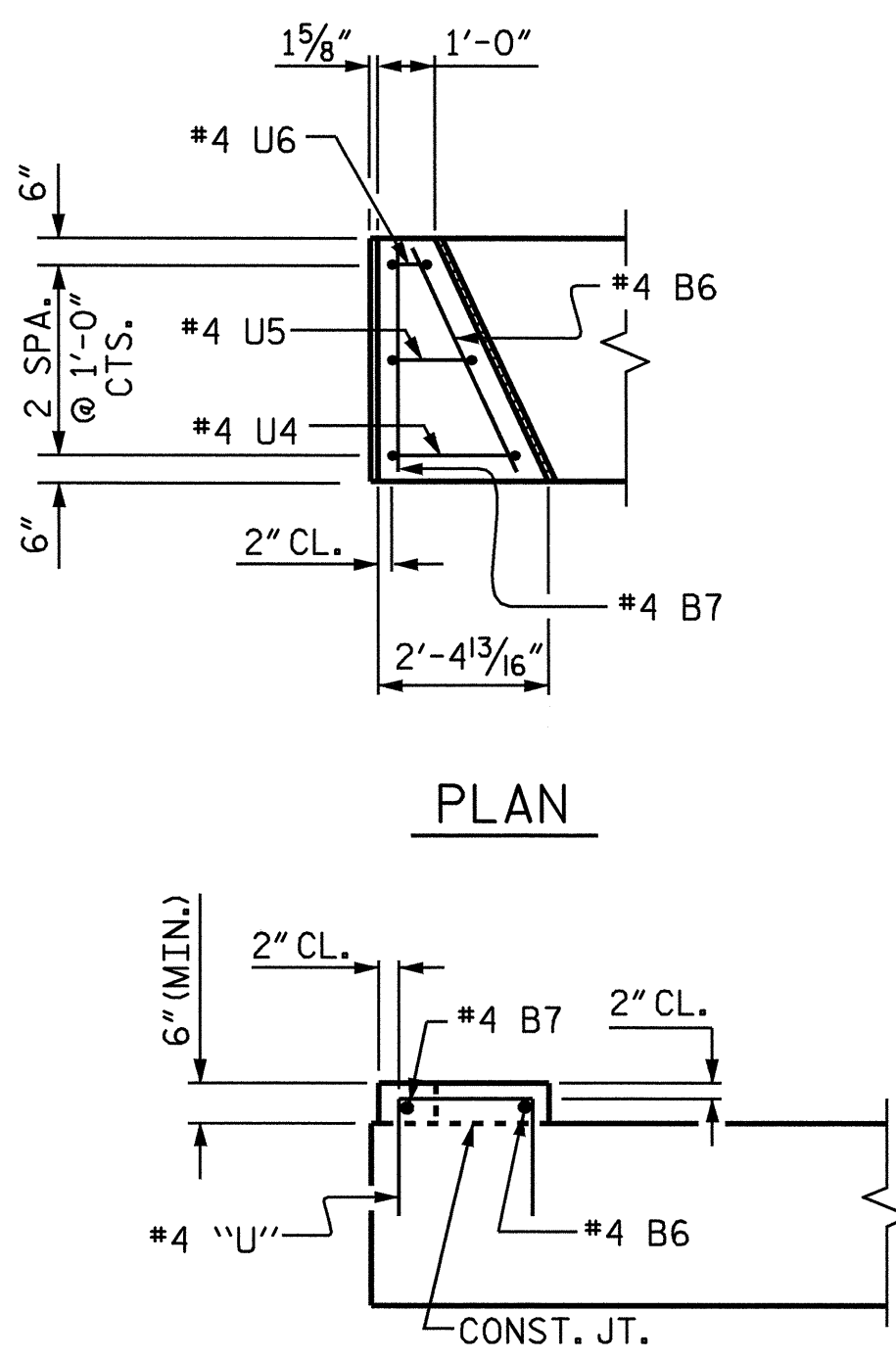
ALL BAR DIMENSIONS ARE OUT TO OUT.

BILL OF MATERIAL					
BENT #2					
BAR	NO.	SIZE	TYPE	LENGTH	WEIGHT
B1	8	10		40'-3"	1386
B2	8	10	STR	37'-3"	1282
B3	8	4	STR	19'-0"	102
B4	8	5	STR	34'-9"	290
B5	12	4	STR	23'-10"	191
B6	2	4	STR	2'-11"	4
B7	2	4	STR	2'-8"	4
B8	17	4	STR	2'-8"	30
D1	76	6	STR	1'-6"	171
S1	65	5	2	8'-4"	565
S2	20	4	4	7'-7"	101
U1	2	9	3	9'-10"	67
U2	4	4	3	5'-6"	15
U3	24	4	3	5'-8"	91
U4	2	4	3	4'-7"	6
U5	2	4	3	4'-2"	6
U6	2	4	3	3'-8"	5
U7	6	4	3	5'-2"	21

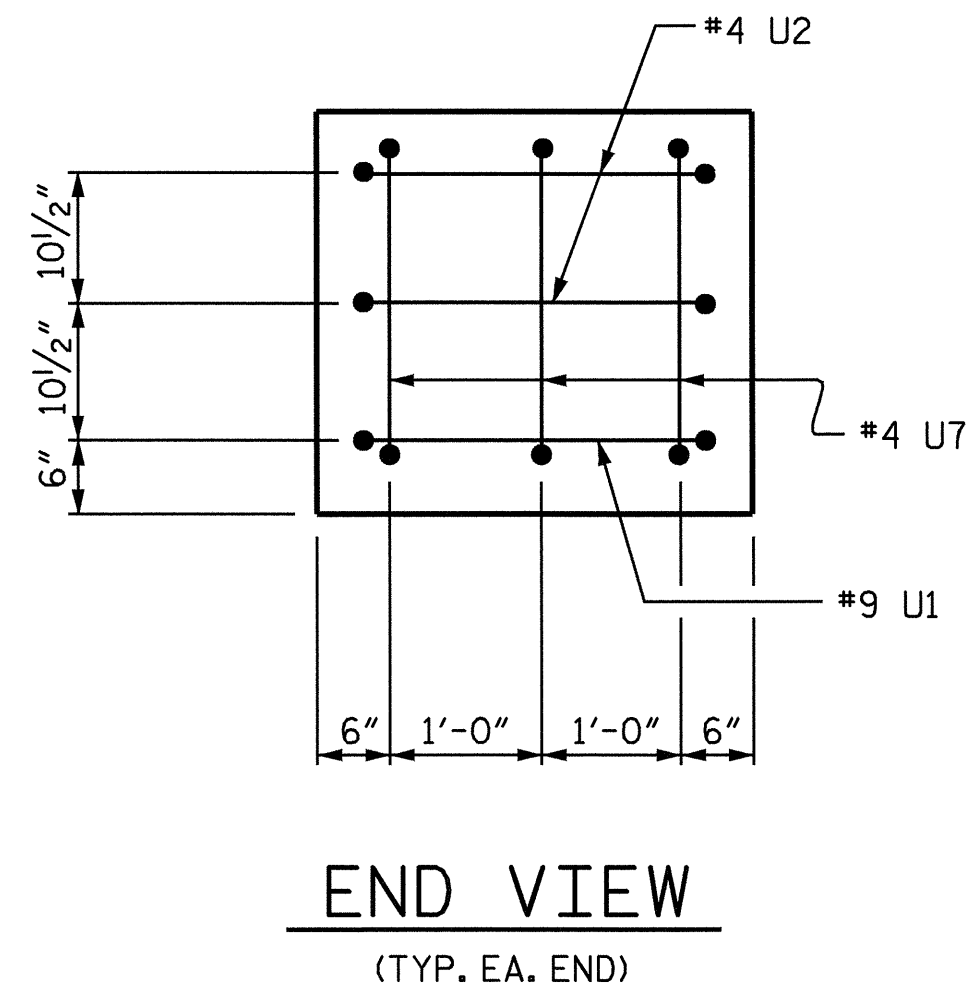
REINFORCING STEEL		LBS	4337
CLASS "A" CONCRETE BREAKDOWN			
POUR #1	CAP	22.6	YD ³
POUR #2	LATERAL GUIDES	0.2	YD ³
CLASS "A" CONCRETE TOTAL		22.8	YD ³
HP 14 X 73 STEEL PILES			
NO.	10	LIN. FT.	300



PILE SPLICE DETAILS



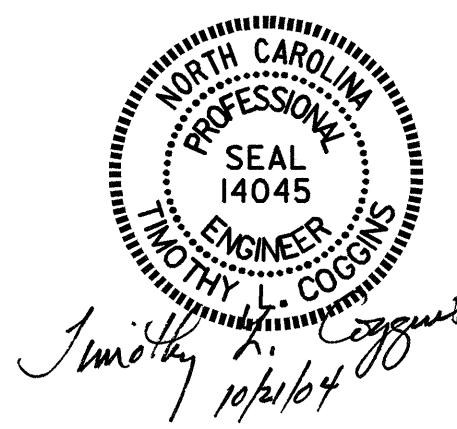
LATERAL GUIDE DETAILS
(TYP. EA. LATERAL GUIDE)



END VIEW
(TYP. EA. END)

PROJECT NO. B-3685
PITT COUNTY
STATION: 17+47.50 -L-

SHEET 2 OF 2
STATE OF NORTH CAROLINA
DEPARTMENT OF TRANSPORTATION
RALEIGH
SUBSTRUCTURE
BENT #2



REVISIONS						SHEET NO.
NO.	BY:	DATE:	NO.	BY:	DATE:	S-19
1			3			TOTAL SHEETS
2			4			27

DRAWN BY: PEGGY ADKINS DATE: 7-04
CHECKED BY: T. L. AVERETTE DATE: 8-04