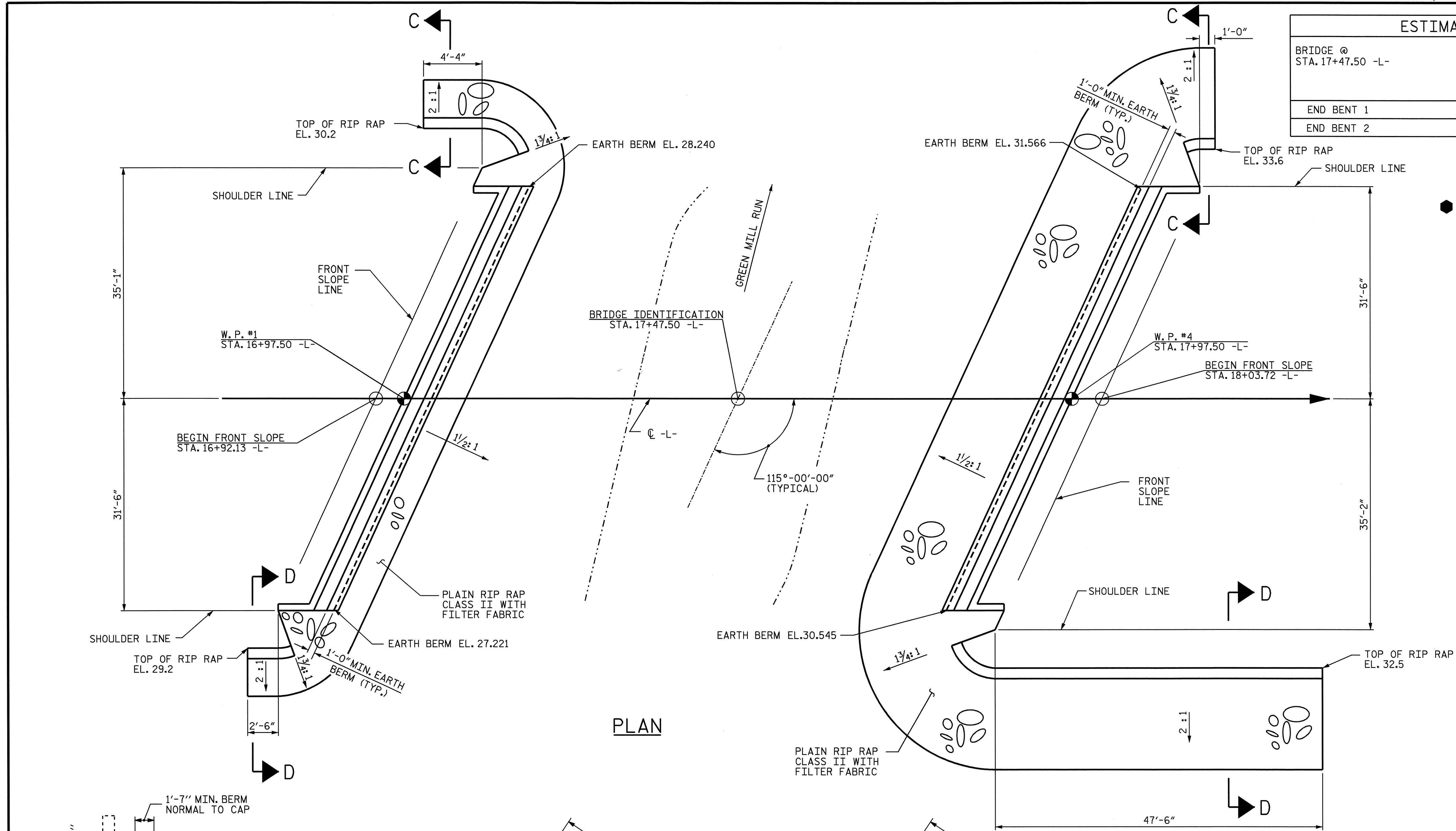
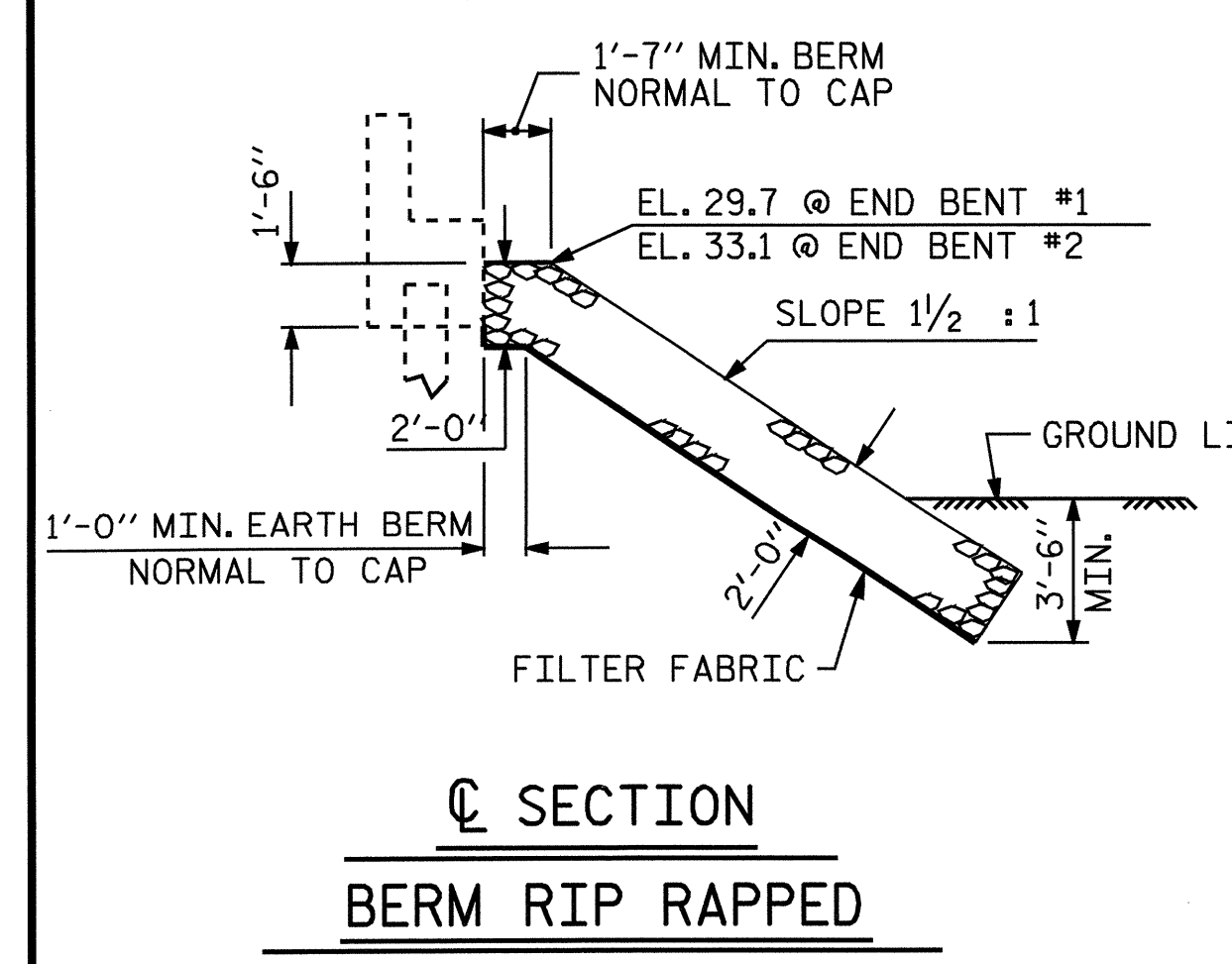


ESTIMATED QUANTITIES		
BRIDGE @ STA. 17+47.50 -L-	PLAIN RIP RAP CLASS II	FILTER FABRIC FOR DRAINAGE
	TONS	SQUARE YARDS
END BENT 1	80	89
END BENT 2	225	250

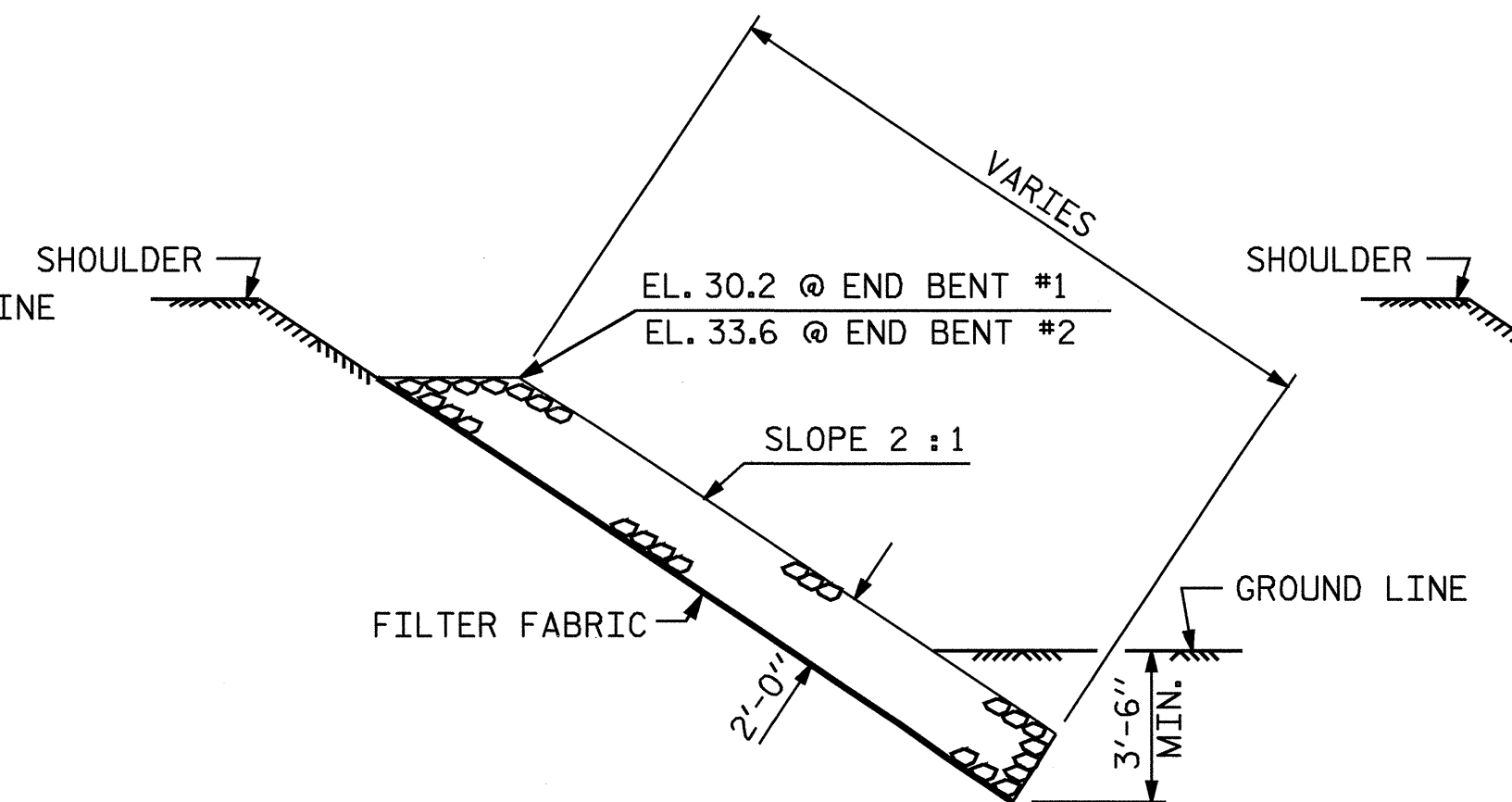
NOTE:
THE COST OF THE FILTER FABRIC SHALL BE INCLUDED IN THE CONTRACT PRICE BID FOR PLAIN RIP RAP CLASS II.



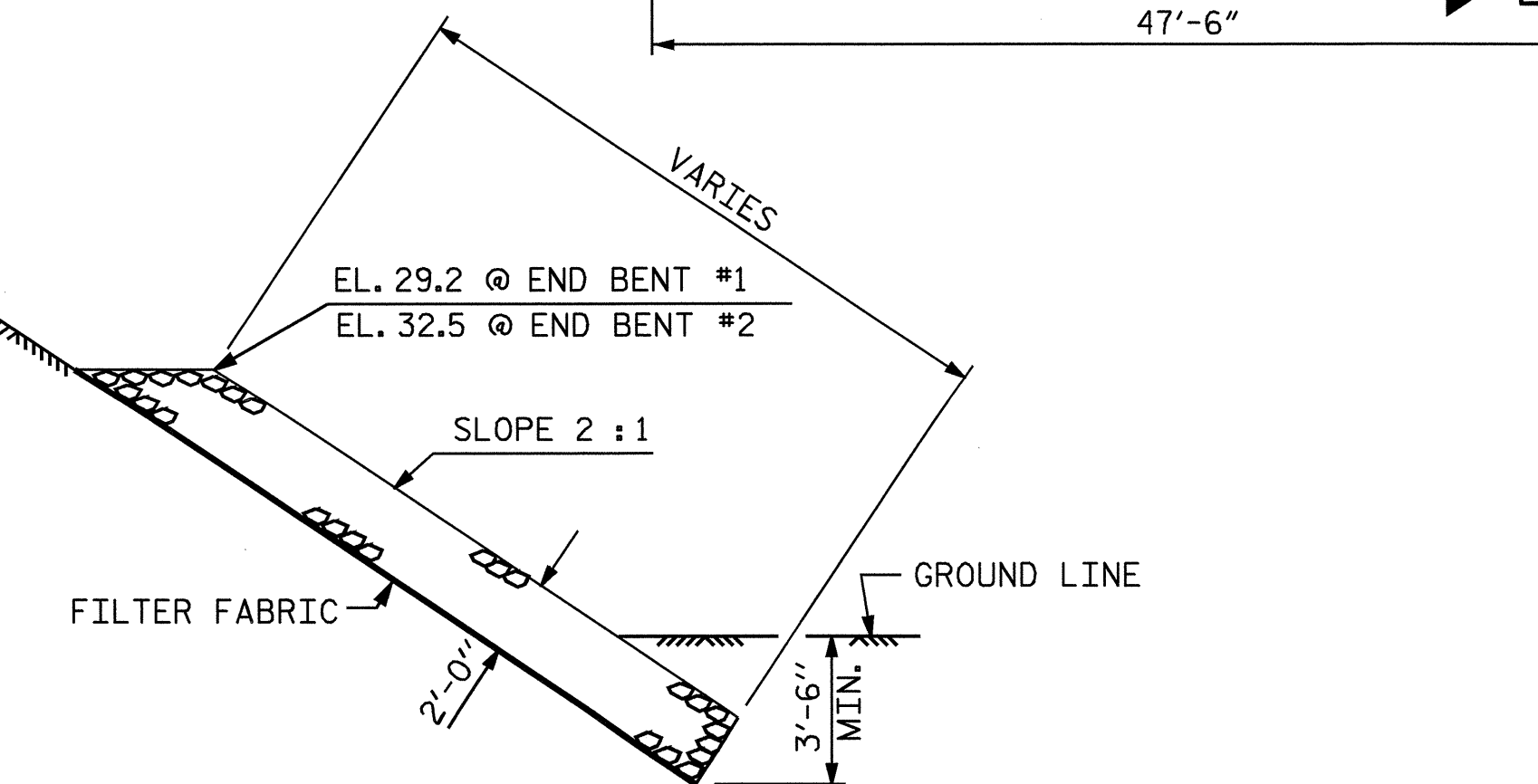
PLAN



SECTION C-C
BERM RIP RAPPED



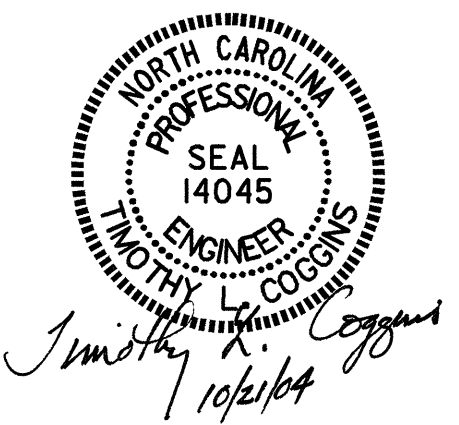
SECTION C-C



SECTION D-D

PROJECT NO. B-3685
PITT COUNTY
STATION: 17+47.50 -L-

STATE OF NORTH CAROLINA
DEPARTMENT OF TRANSPORTATION
RALEIGH
STANDARD
RIP RAP DETAILS



ASSEMBLED BY : PEGGY ADKINS	DATE : 5-03
CHECKED BY : T. AVERETTE	DATE : 6-04
DRAWN BY : REK 1/84	REV. 7/17/98 REK/RWW
CHECKED BY : RDU 1/84	REV. 8/16/99 RWW/LES
	REV. 10/17/00 RWW/LES

REVISIONS					SHEET NO.
NO.	BY:	DATE:	NO.	BY:	DATE:
1			3		
2			4		

TOTAL SHEETS 27