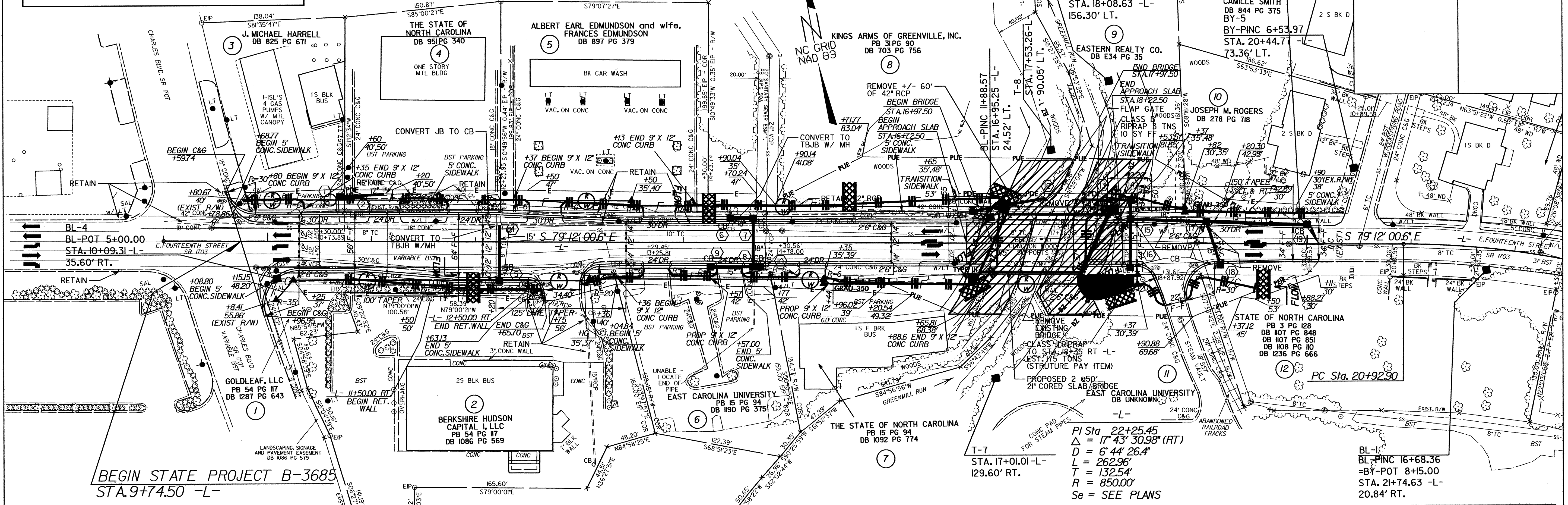
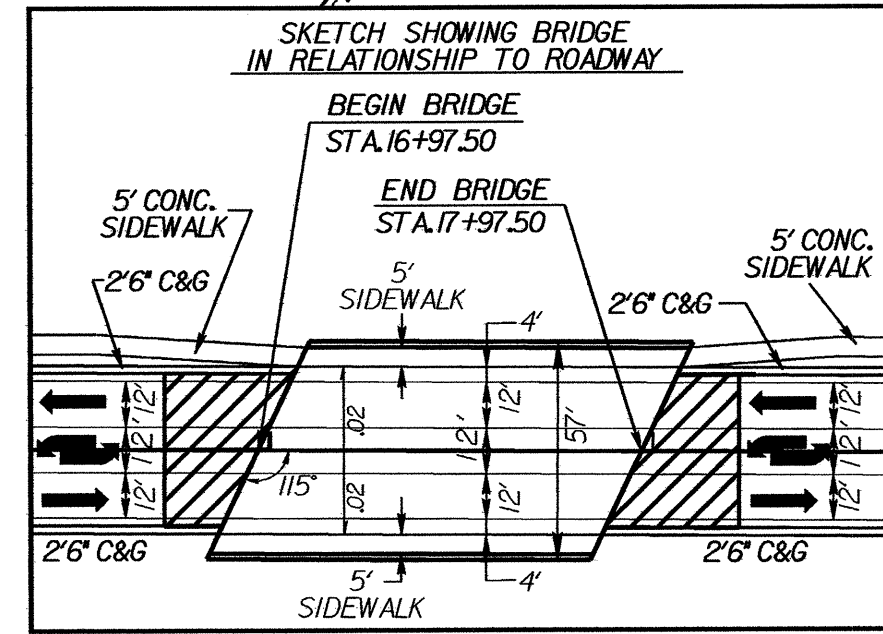
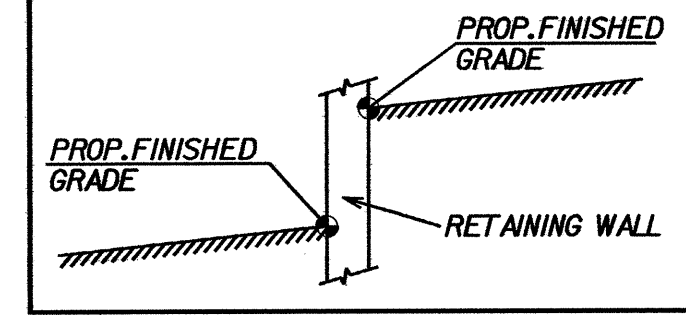


NOTE:
 UTILIZE TEMPORARY ROCK SILT CHECKS TYPE - A
 AS STILLING BASIN WHERE APPLICABLE.



DATUM DESCRIPTION
 THE LOCALIZED COORDINATE SYSTEM DEVELOPED FOR THIS PROJECT IS BASED ON THE STATE PLANE COORDINATES ESTABLISHED BY NCGS FOR MONUMENT "FICKLEN" WITH NAD 83 STATE PLANE GRID COORDINATES OF
 NORTHING: 676571.734 FT EASTING: 2486874.461 FT
 THE AVERAGE COMBINED GRID FACTOR USED ON THIS PROJECT (GROUND TO GRID) IS: 0.999893267
 THE N.C. LAMBERT GRID BEARING AND LOCALIZED HORIZONTAL GROUND DISTANCE FROM "FICKLEN" TO -L- STATION 9+74.50 IS
 N 67° 53' 32.23" W 2781.9366 FT
 ALL LINEAR DIMENSIONS ARE LOCALIZED HORIZONTAL DISTANCES



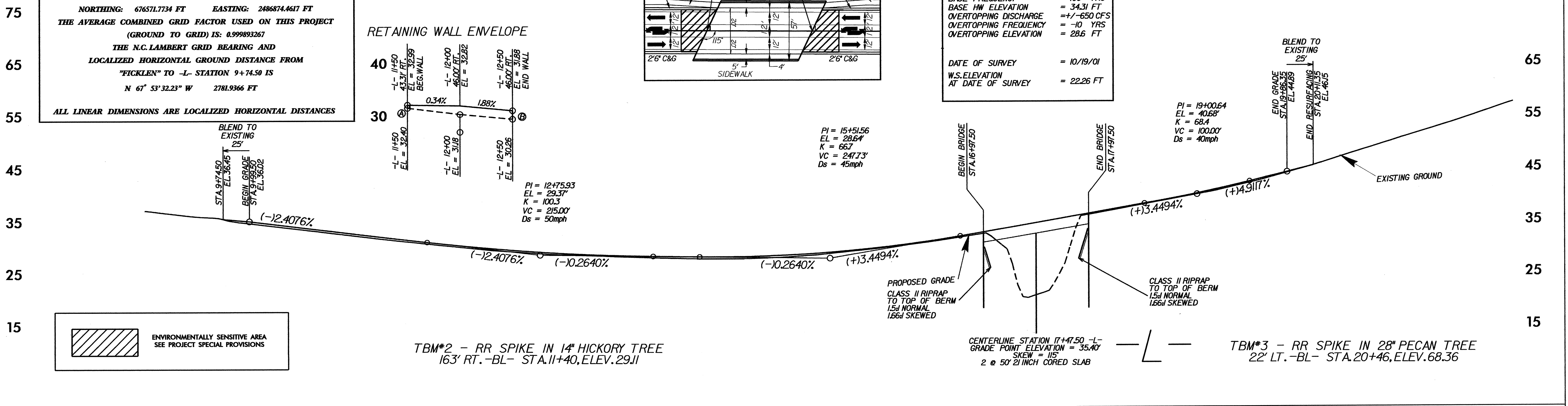
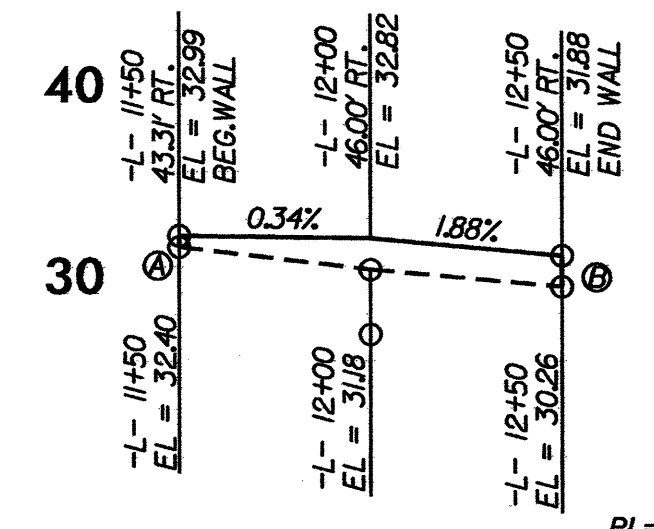
BRIDGE HYDRAULIC DATA

DESIGN DISCHARGE	= 4470 CFS
DESIGN FREQUENCY	= 50 YRS
DESIGN HW ELEVATION	= 33.98 FT
BASE DISCHARGE	= 4930 CFS
BASE FREQUENCY	= 100 YRS
BASE HW ELEVATION	= 34.31 FT
OVERTOPPING DISCHARGE	= +/- 650 CFS
OVERTOPPING FREQUENCY	= 10 YRS
OVERTOPPING ELEVATION	= 28.6 FT
DATE OF SURVEY	= 10/19/01
W.S. ELEVATION AT DATE OF SURVEY	= 22.26 FT

CLEARING AND GRUBBING EROSION CONTROL FOR CONSTRUCTION SHEET 4

NOTE:
 PLACE TEMPORARY ROCK SEDIMENT DAMS TYPE- B AND TEMPORARY ROCK SILT CHECKS TYPE-A AT DRAINAGE OUTLETS.

RETAINING WALL ENVELOPE



ENVIRONMENTALLY SENSITIVE AREA SEE PROJECT SPECIAL PROVISIONS

TBM#2 - RR SPIKE IN 14" HICKORY TREE
 163' RT. -BL- STA. 11+40, ELEV. 29.11

TBM#3 - RR SPIKE IN 28" PECAN TREE
 22' LT. -BL- STA. 20+46, ELEV. 68.36