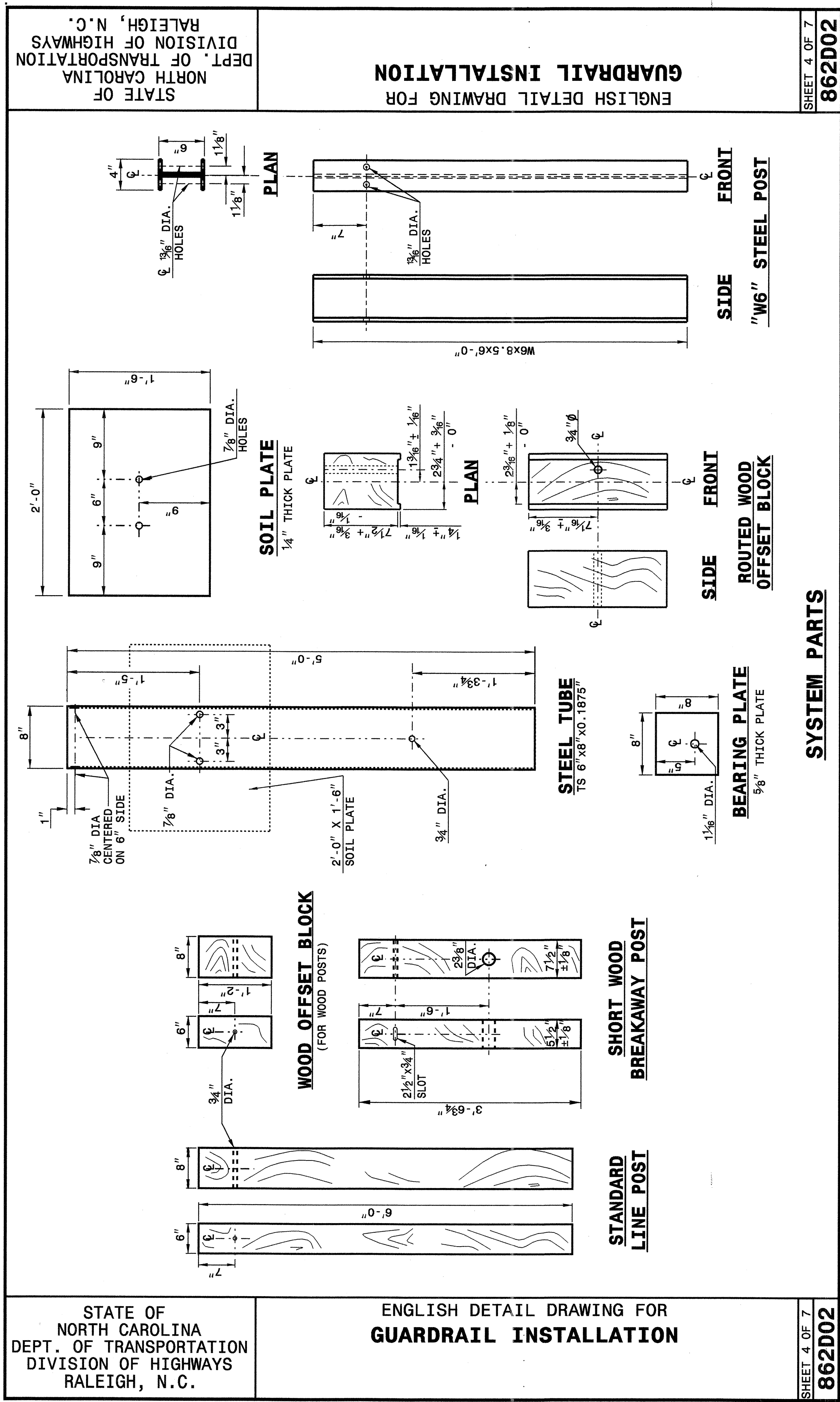


STATE OF NORTH CAROLINA DEPT. OF TRANSPORTATION DIVISION OF HIGHWAYS RALEIGH, N.C.

ENGLISH DETAIL DRAWING FOR GUARDRAIL INSTALLATION

SHEET 3 OF 7 862D02



STATE OF NORTH CAROLINA DEPT. OF TRANSPORTATION DIVISION OF HIGHWAYS RALEIGH, N.C.

ENGLISH DETAIL DRAWING FOR GUARDRAIL INSTALLATION

SHEET 4 OF 7 862D02

19-OCT-2004 11:39 W:\Special\_Details\english\862D02\0862D02.dgn  
 ericw-3 AT US212260

PROJECT SERVICES UNIT  
 STANDARDS AND SPECIAL DESIGN  
 Office 919-250-4128 FAX 919-250-4119

SEE PLATE FOR TITLE

ORIGINAL BY: 2002 STD.862.02 DATE:  
 MODIFIED BY: E.E. WARD DATE: 02-09-03  
 CHECKED BY: *Eric Ward* DATE: 10/2/04  
 FILE SPEC.: /usr/stds/02todetail/english/86202/862D02.dgn

