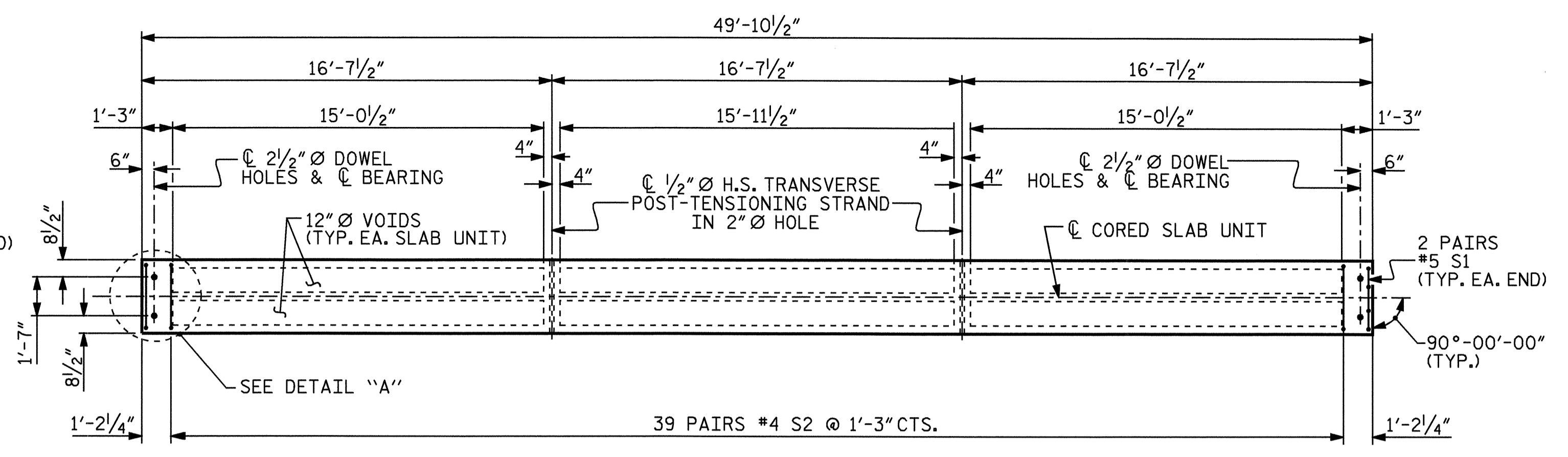
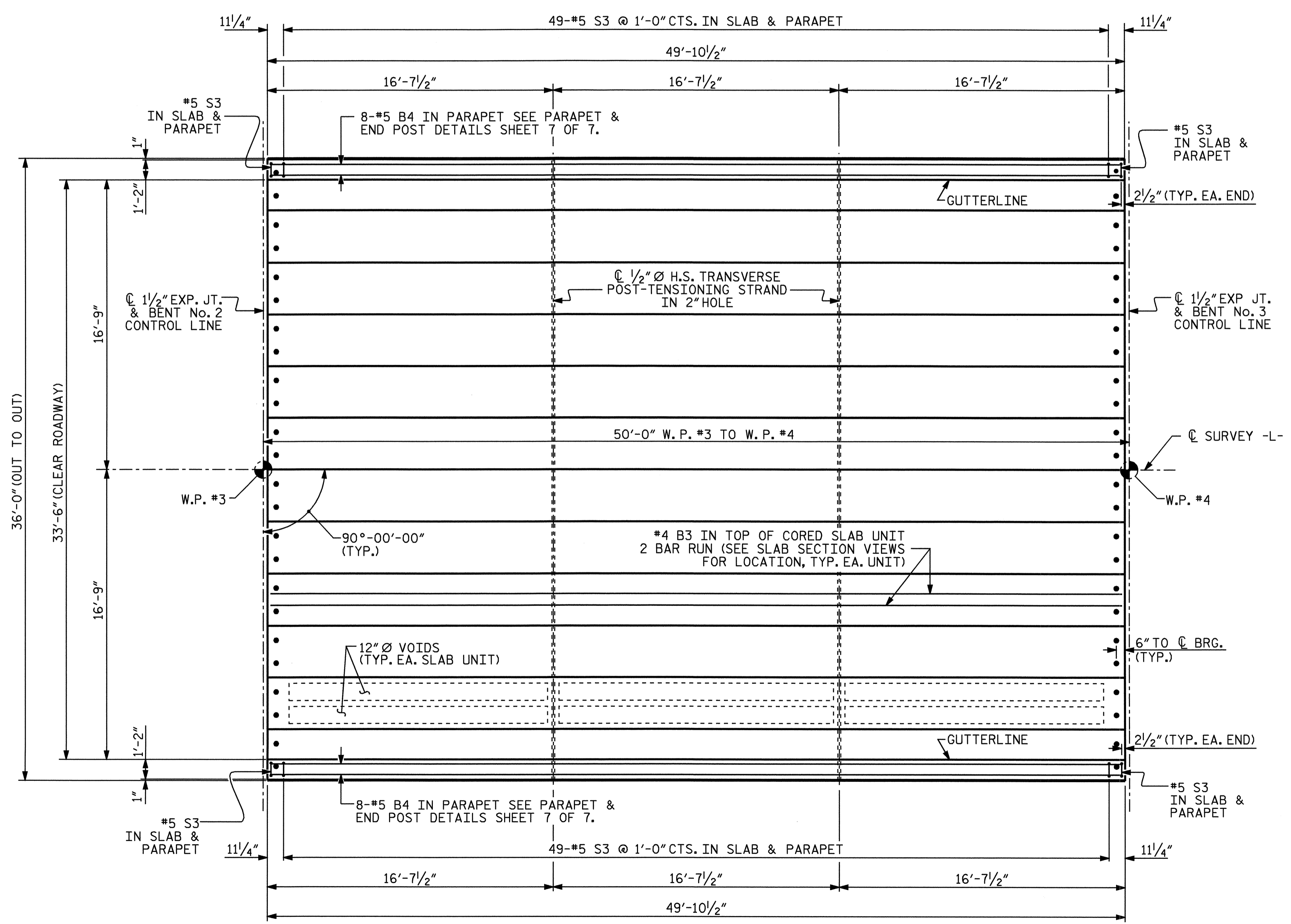


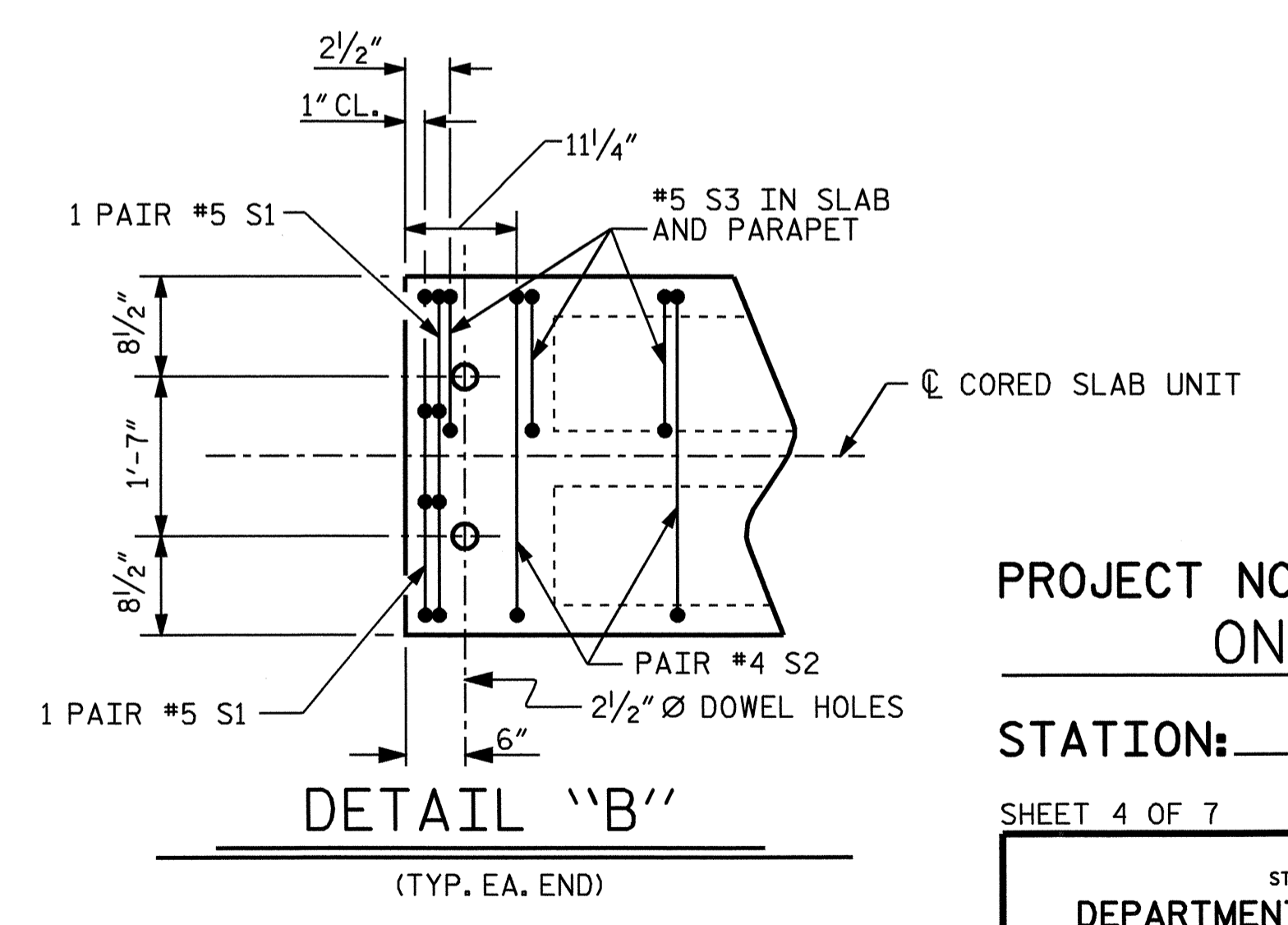
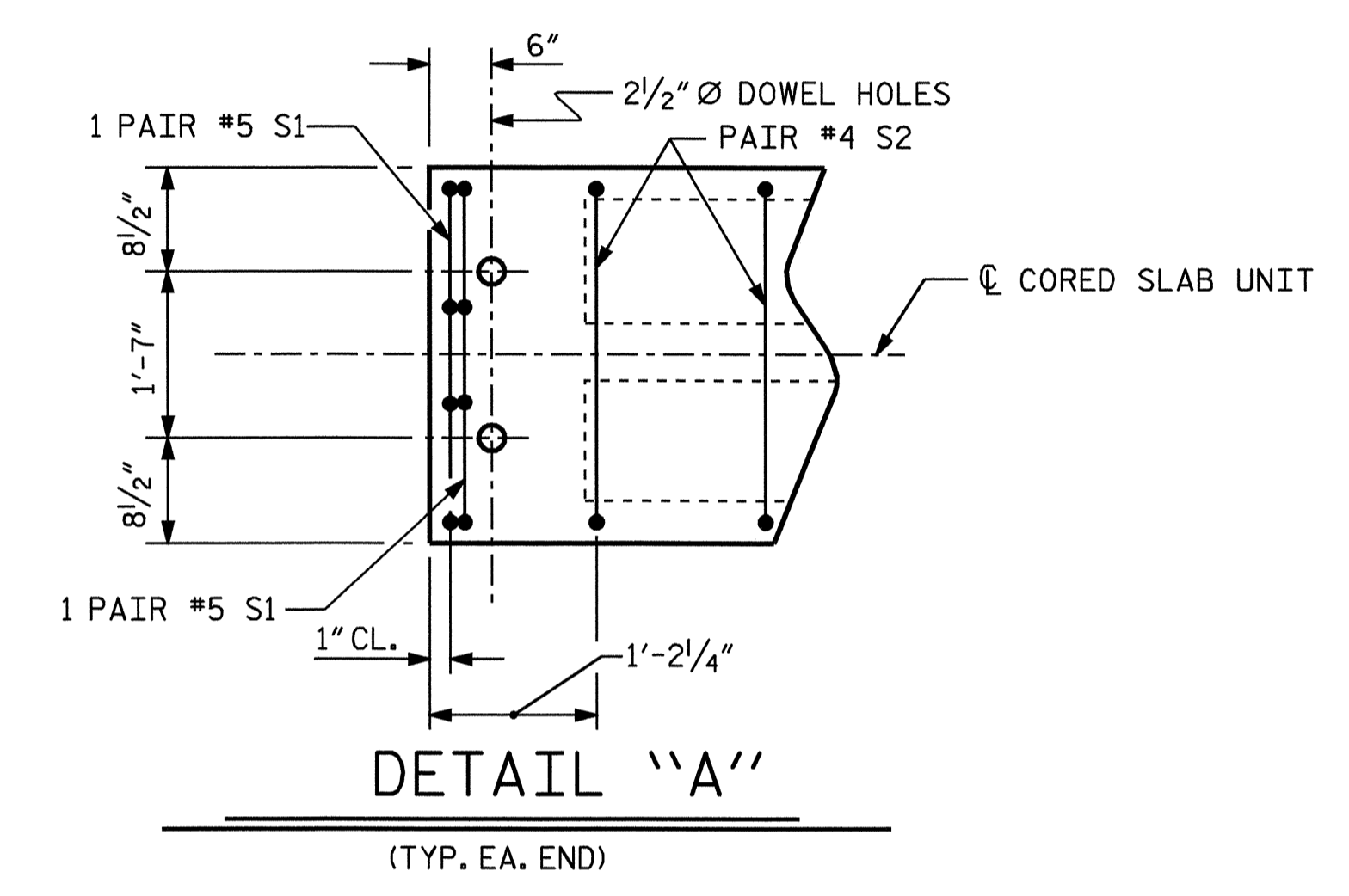
PLAN OF EXTERIOR CORED SLAB UNIT



PLAN OF INTERIOR CORED SLAB UNIT



PLAN OF SPAN C



PROJECT NO. B-3682
 ONSLOW COUNTY
 STATION: 27+84.47 -L-
 SHEET 4 OF 7



DRAWN BY: A. V. ROYAL DATE: 1-04
 CHECKED BY: B. N. GRADY DATE: 4-04

REVISIONS				SHEET NO.	
NO.	BY	DATE	NO.	DATE	S-7
1			3		TOTAL SHEETS
2			4		26