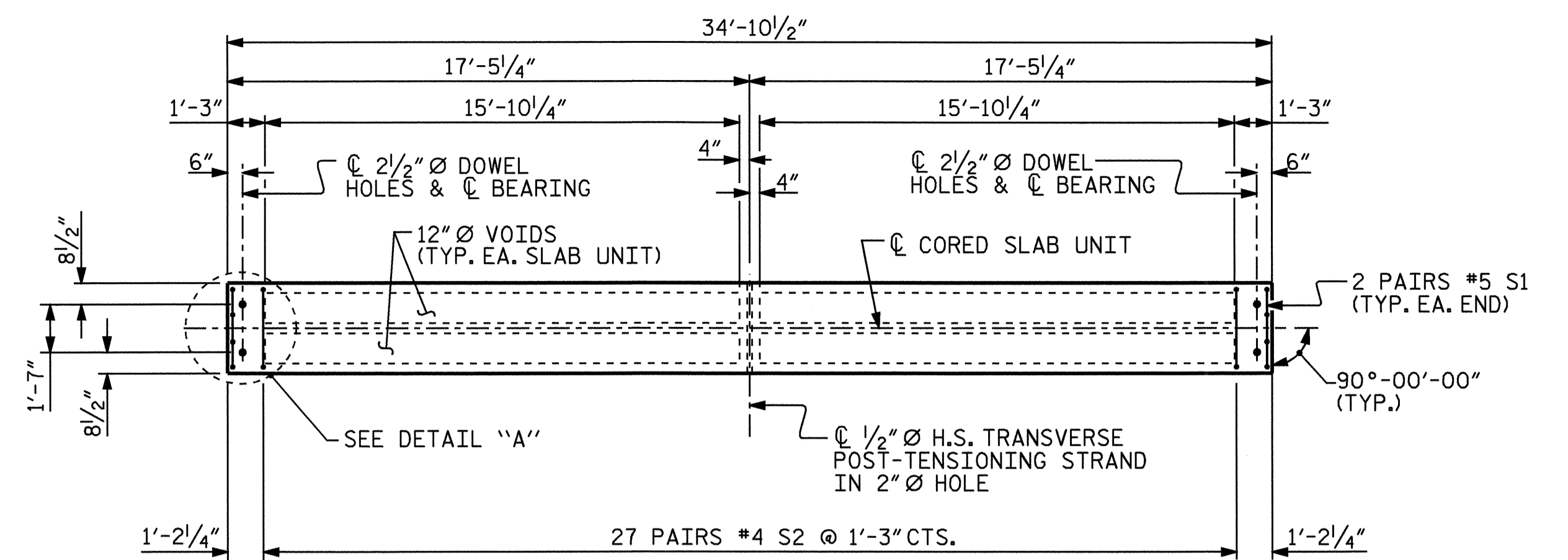
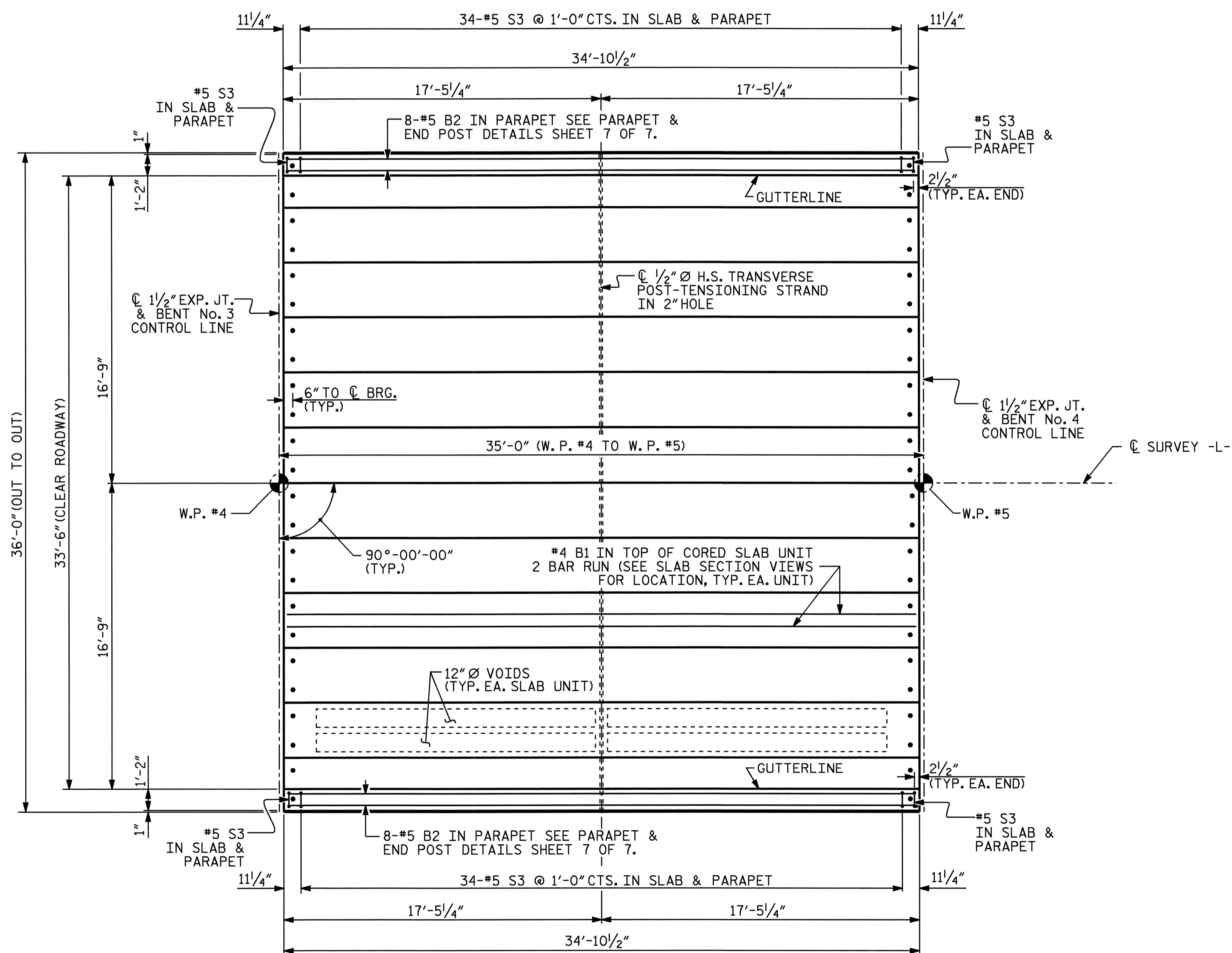


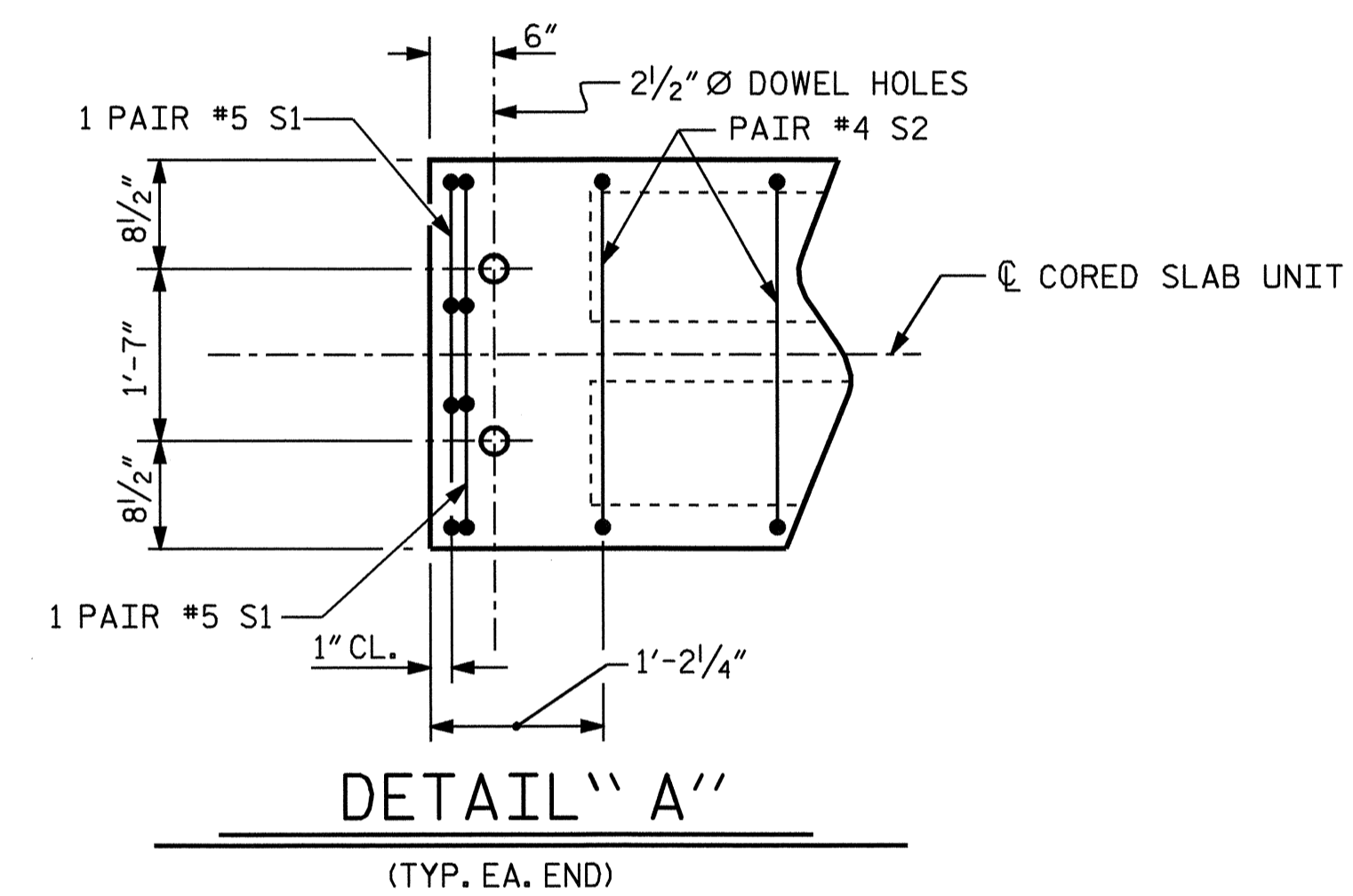
PLAN OF EXTERIOR CORED SLAB UNIT



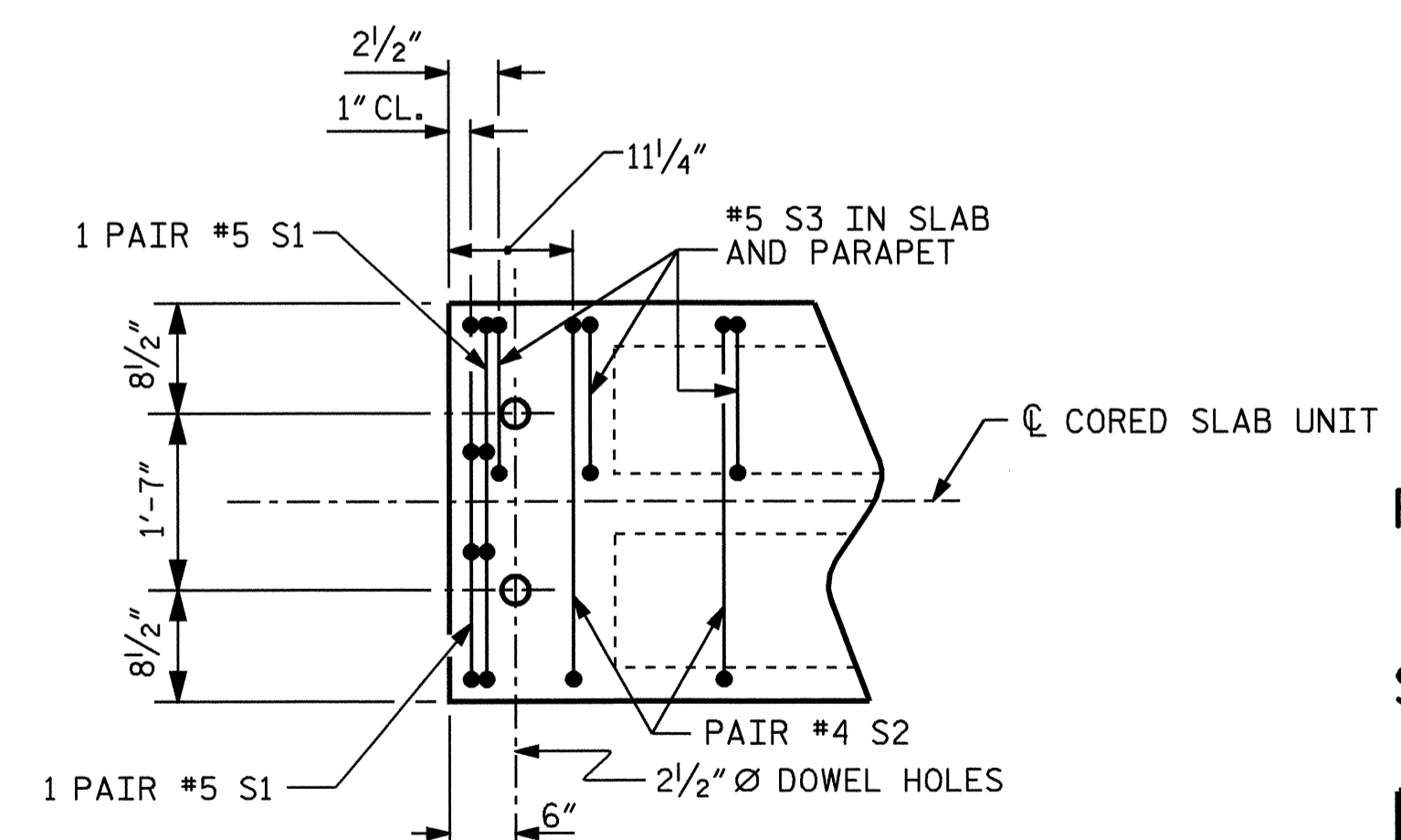
PLAN OF INTERIOR CORED SLAB UNIT



PLAN OF SPAN D



DETAIL "A"
(TYP. EA. END)



DETAIL "B"

PROJECT NO. B-3682
ONSLOW COUNTY
 STATION: 27+84.47 -L-
 SHEET 5 OF 7



STATE OF NORTH CAROLINA DEPARTMENT OF TRANSPORTATION RALEIGH					
SUPERSTRUCTURE PLAN OF SPAN D					
REVISIONS					
NO.	BY:	DATE:	NO.	BY:	DATE:
1			3		
2			4		
SHEET NO.					S-8
TOTAL SHEETS					26

DRAWN BY : A. V. ROYAL DATE : 1-04
 CHECKED BY : B. N. GRADY DATE : 4-04