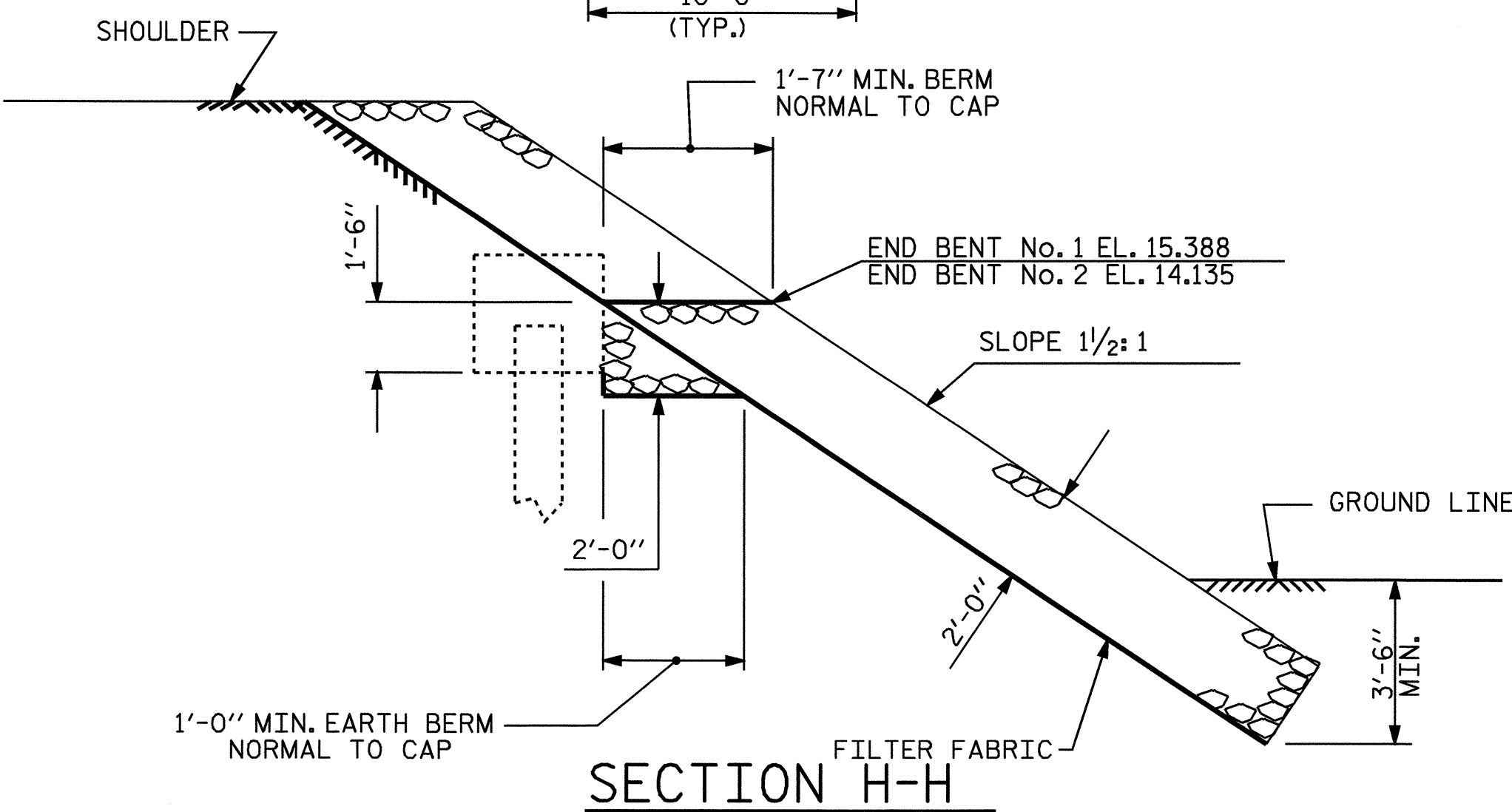
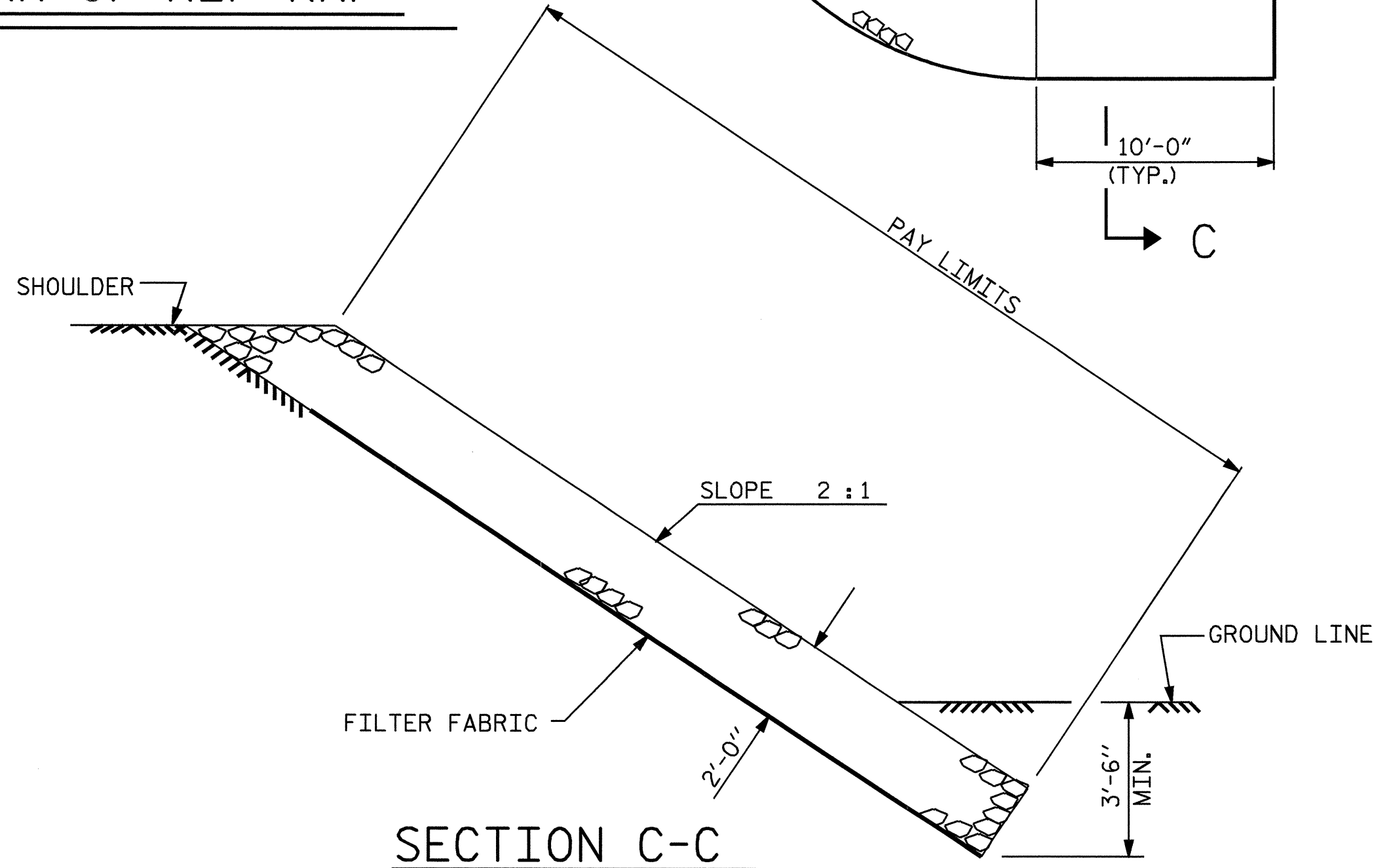


PLAN OF RIP RAP

ESTIMATED QUANTITIES		
BRIDGE @ STA. 27+84.47 -L-	PLAIN RIP RAP CLASS II (2'-0" THICK)	FILTER FABRIC FOR DRAINAGE
	TONS	SQUARE YARDS
END BENT No. 1	125	139
END BENT No. 2	110	123



SECTION H-H



SECTION C-C

PROJECT NO. B-3682  
 ONSLOW COUNTY  
 STATION: 27+84.47 -L-

STATE OF NORTH CAROLINA  
 DEPARTMENT OF TRANSPORTATION  
 RALEIGH  
 STANDARD  
 RIP RAP DETAILS



DRAWN BY: R. G. EMERSON DATE: 08/04  
 CHECKED BY: A. R. CHESSON DATE: 08/04

REVISIONS						SHEET NO. S-24 TOTAL SHEETS 26
NO.	BY:	DATE:	NO.	BY:	DATE:	
1			3			
2			4			

08-NOV-2004 15:27  
 W:\sq\acw\b3682\remer\emerson\MICROS21\B-368202.DGN  
 dpatrey