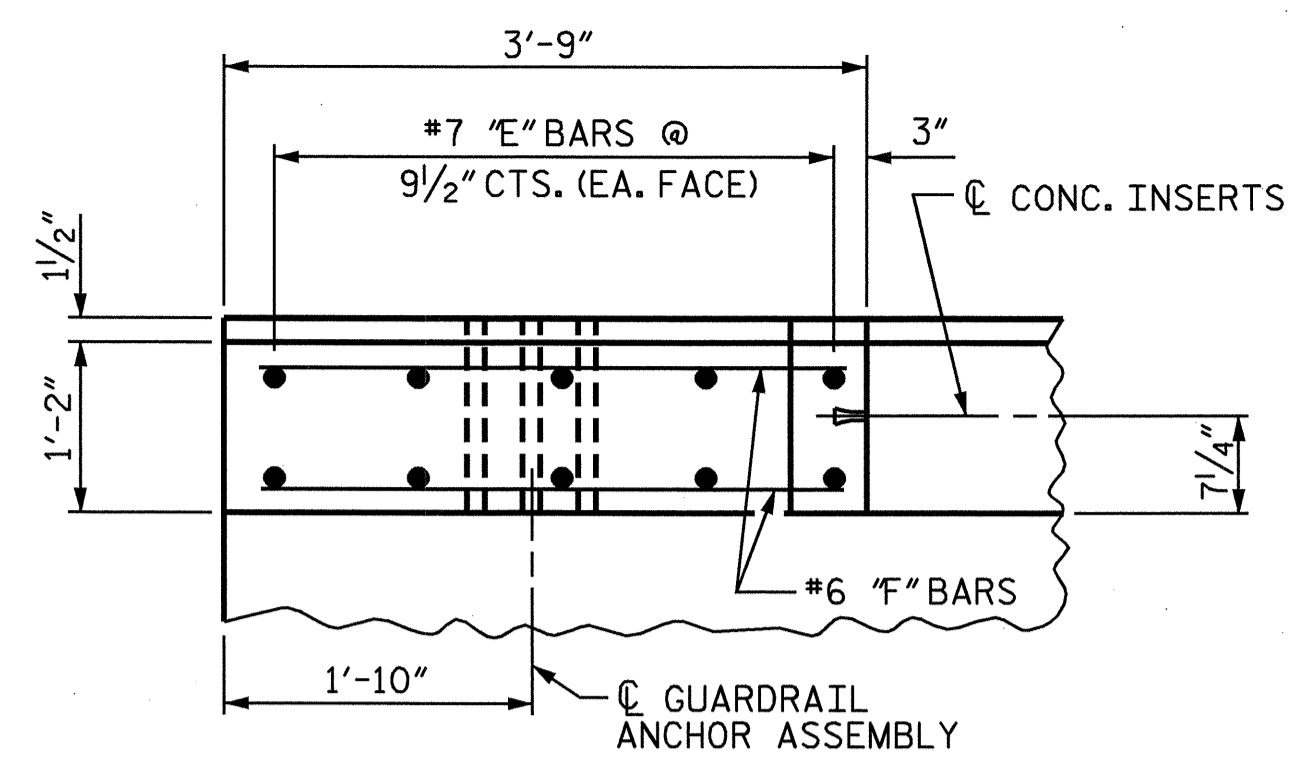
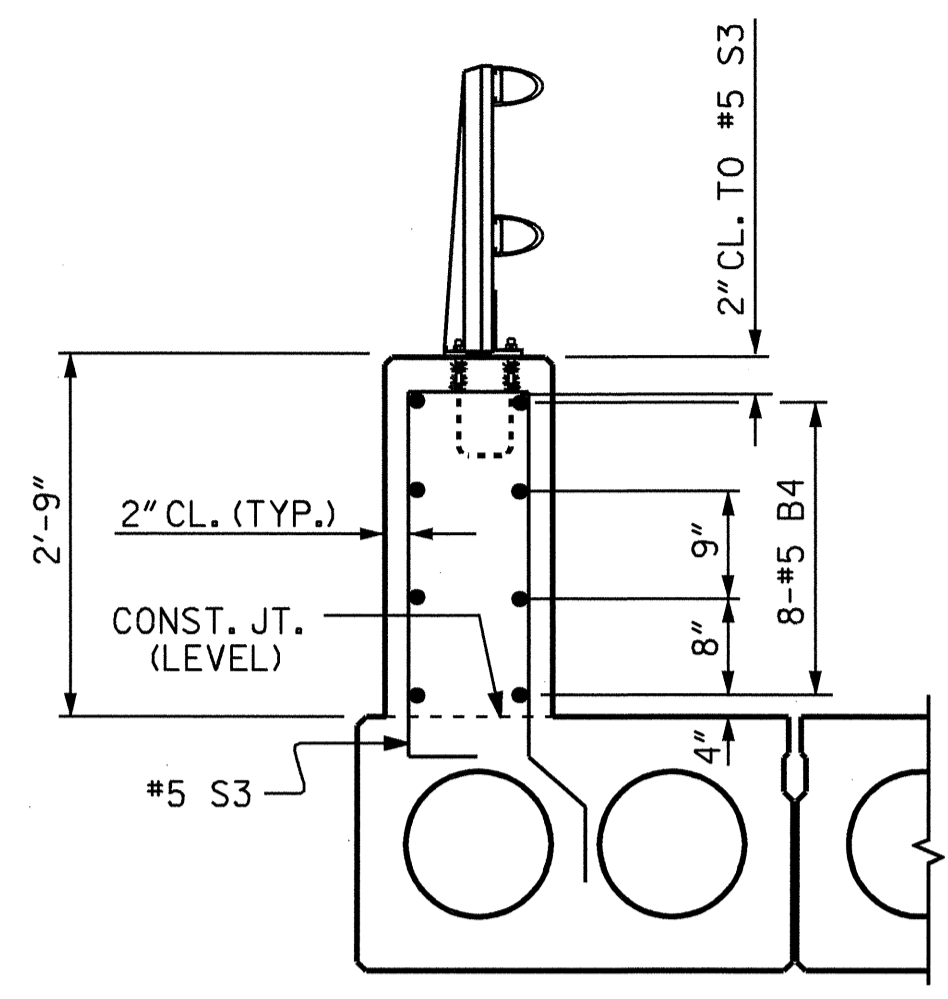


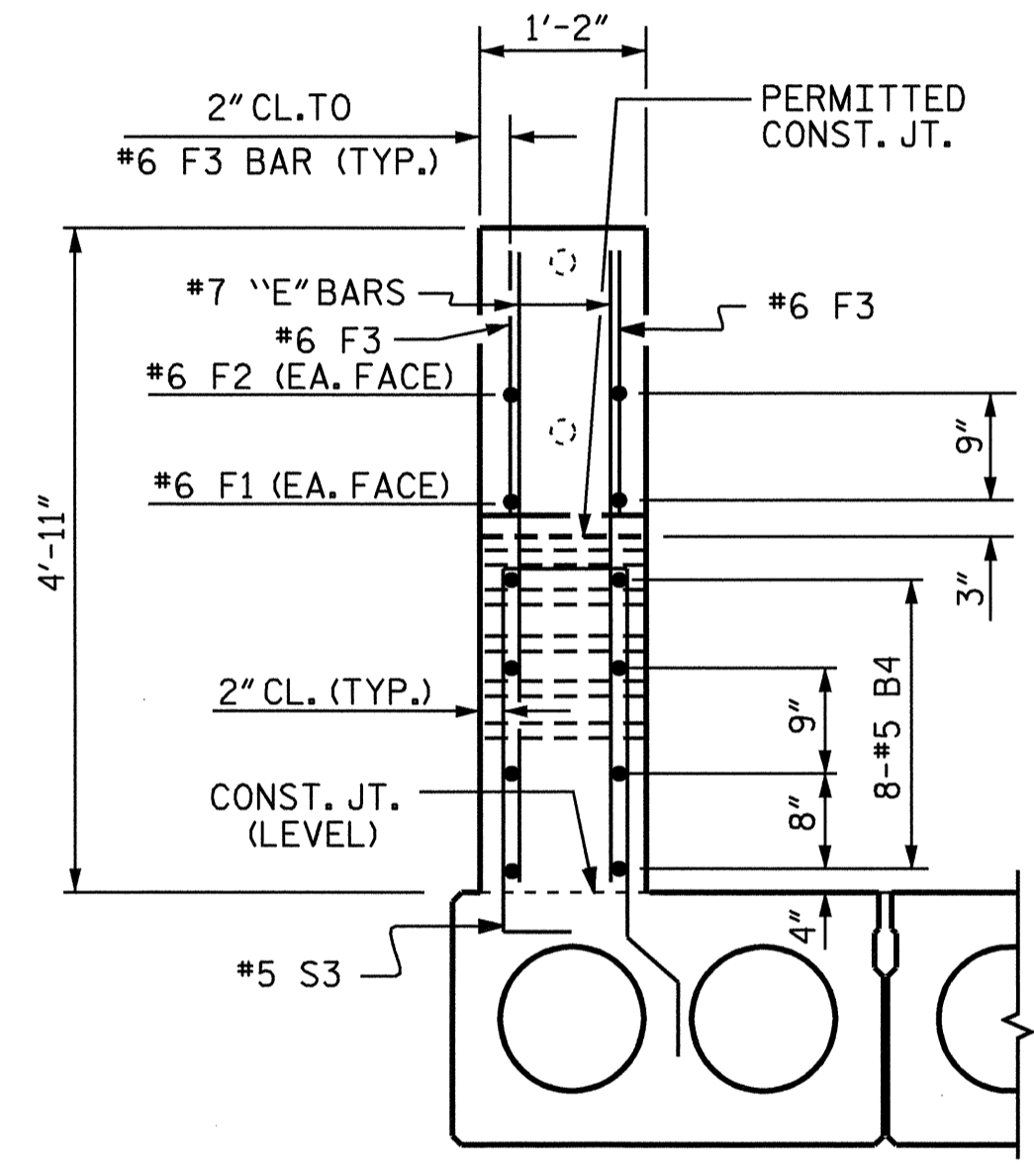
PLAN OF PARAPET



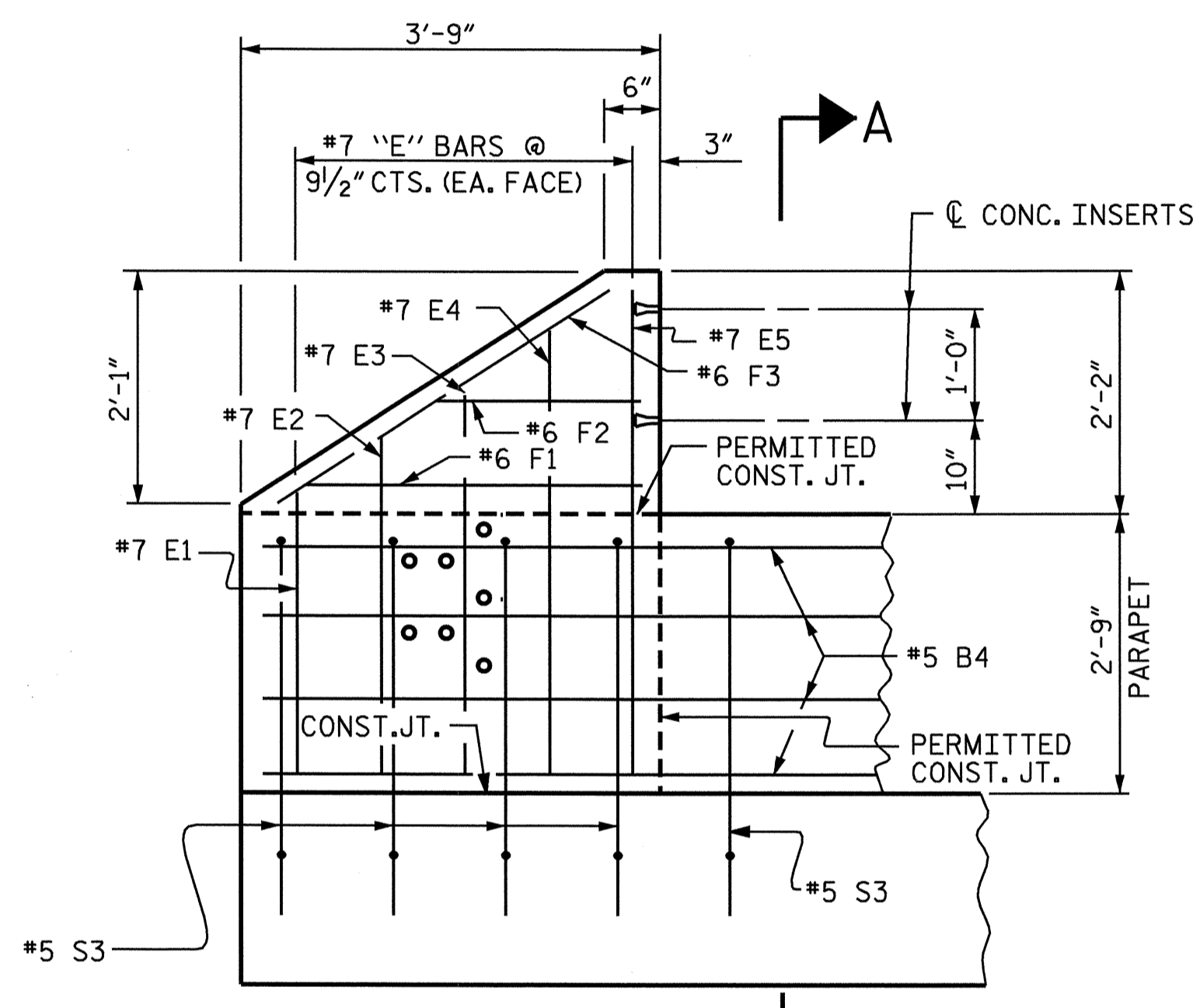
PLAN OF END POST



SECTION A-A



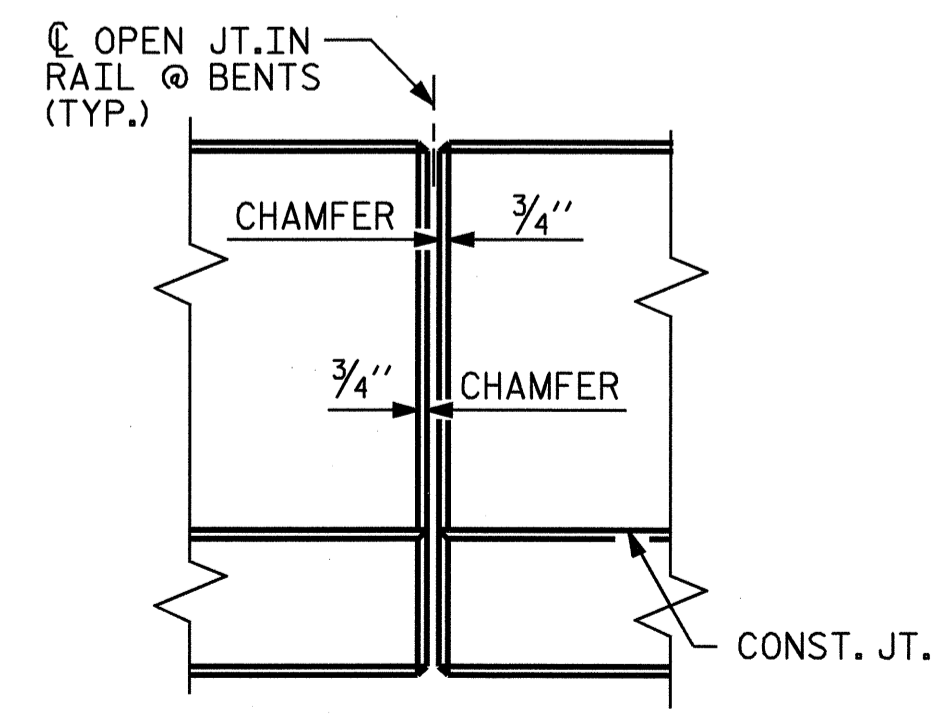
END VIEW



ELEVATION

PARAPET AND END POST FOR TWO BAR RAIL

(SPAN A, LEFT SIDE END POST SHOWN, ALL END POST SIMILAR.)



ELEVATION AT EXPANSION JOINTS
PARAPET DETAILS

BILL OF MATERIAL						
PARAPETS AND FOUR END POSTS						
BAR	NO.	SIZE	TYPE	LENGTH	WEIGHT	
*B4	64	#5	STR	49'-6"	3304	
*E1	8	#7	STR	2'-9"	45	
*E2	8	#7	STR	3'-4"	55	
*E3	8	#7	STR	3'-10"	63	
*E4	8	#7	STR	4'-4"	71	
*E5	8	#7	STR	4'-8"	76	
*F1	8	#6	STR	3'-4"	40	
*F2	8	#6	STR	2'-0"	24	
*F3	8	#6	STR	3'-11"	47	
* EPOXY COATED REINF. STEEL = 3725 LBS						
* CLASS "AA" CONCRETE 48.3 C.Y.						
1'-2" X 33" CONCRETE PARAPET 399.75 L.F.						

* THESE BARS ARE EPOXY COATED
* THIS QUANTITY INCLUDES THE END POST CONCRETE.

NOTES:

ALL REINFORCING STEEL IN PARAPET SHALL BE EPOXY COATED.

PROJECT NO. B-3496
NEW HANOVER COUNTY
STATION: 17+67.00 -L-

SHEET 1 OF 5

STATE OF NORTH CAROLINA DEPARTMENT OF TRANSPORTATION RALEIGH					
CONCRETE PARAPET AND END POST DETAILS					
JUNE 1994					SHEET NO. S-10
REVISIONS					
NO.	BY:	DATE:	NO.	BY:	DATE:
1			3		
2			4		
TOTALS					28

