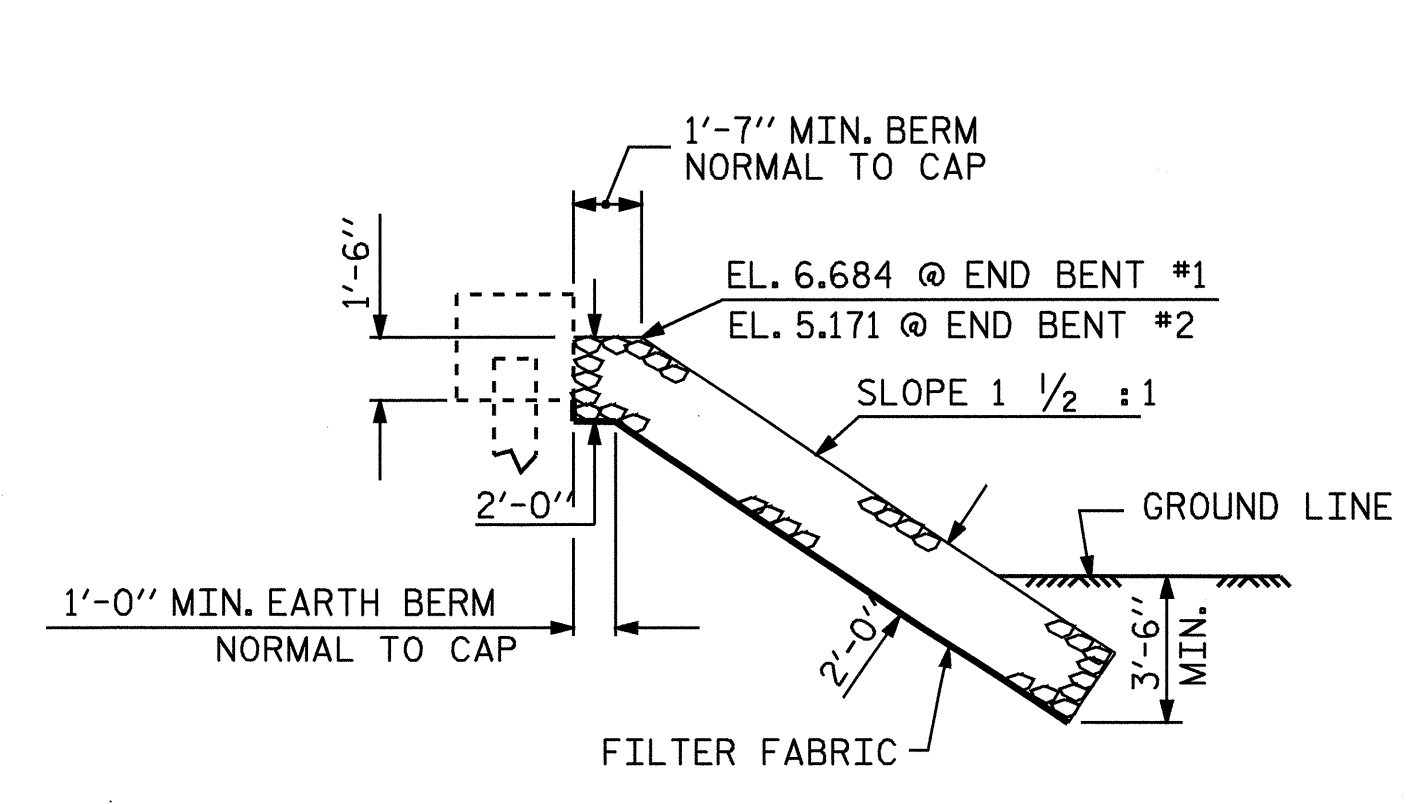
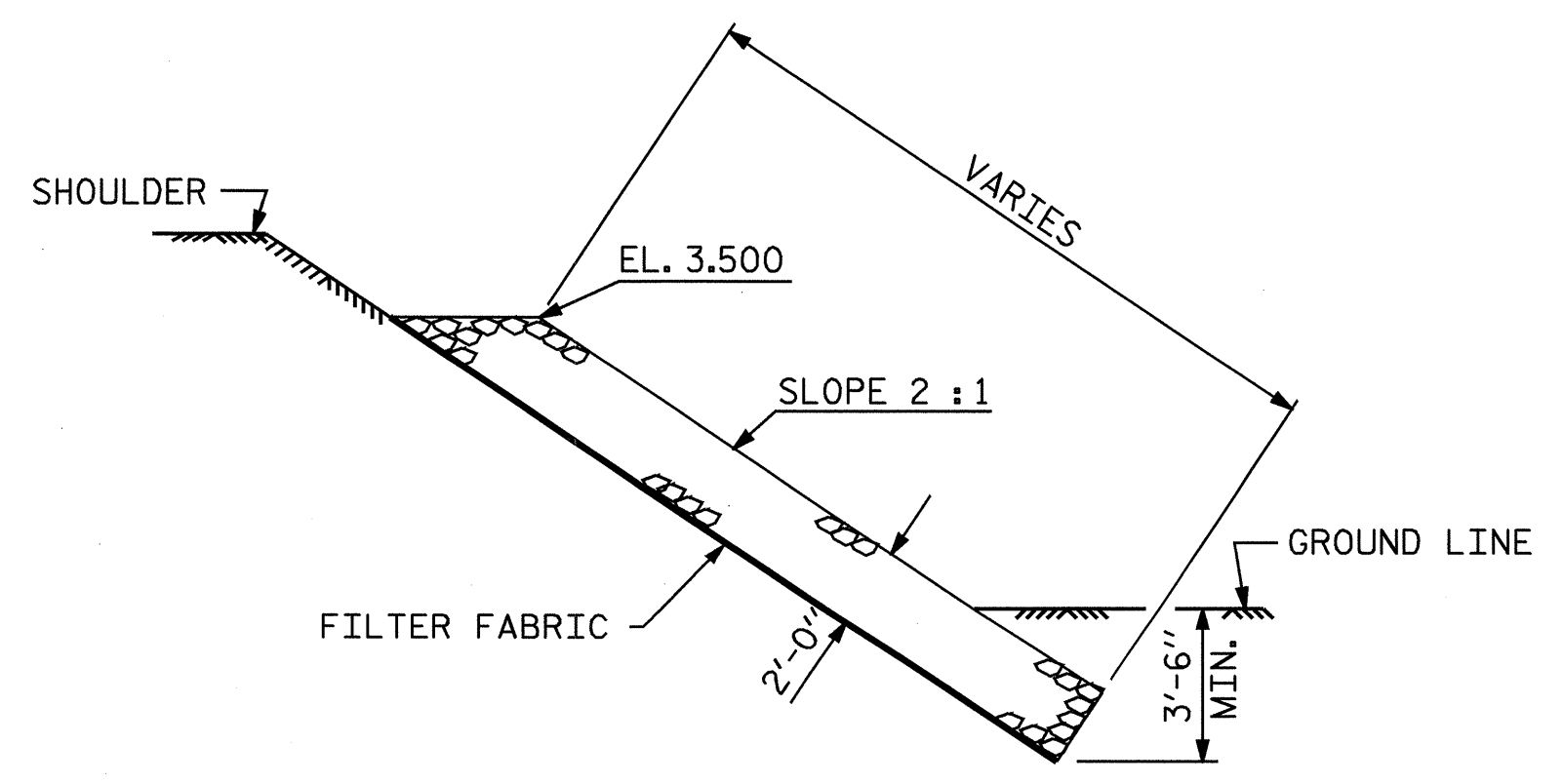


PLAN



SECTION C-C  
BERM RIP RAPPED



SECTION C-C

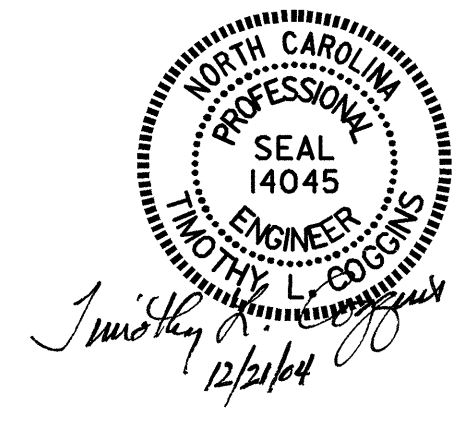
ESTIMATED QUANTITIES		
BRIDGE @ STA. 17+67.00 -L-	PLAIN RIP RAP CLASS I (2'-0" THICK)	FILTER FABRIC FOR DRAINAGE
	TONS	SQUARE YARDS
END BENT 1	142	158
END BENT 2	92	102

THE COST OF THE FILTER FABRIC SHALL BE INCLUDED IN THE CONTRACT PRICE BID FOR PLAIN RIP RAP CLASS I.

PROJECT NO. B-3496  
NEW HANOVER COUNTY  
STATION: 17+67.00 -L-

STATE OF NORTH CAROLINA  
DEPARTMENT OF TRANSPORTATION  
RALEIGH

RIP RAP DETAILS



ASSEMBLED BY : PEGGY ADKINS	DATE : 1/03
CHECKED BY : T. AVERETTE	DATE : 10/03
DRAWN BY : FCJ 2/88	REV. 7/17/98 REK/RWW
CHECKED BY : ARB 8/88	REV. 8/16/99 RWW/LES
	REV. 10/17/00 RWW/LES

REVISIONS						SHEET NO. S-26
NO.	BY:	DATE:	NO.	BY:	DATE:	
1			3			TOTAL SHEETS 28
2			4			