

DATUM DESCRIPTION

THE LOCALIZED COORDINATE SYSTEM DEVELOPED FOR THIS PROJECT IS BASED ON THE STATE PLANE COORDINATES ESTABLISHED BY NC DOT FOR MONUMENT "B-3182-1" WITH NAD 1983/95 STATE PLANE GRID COORDINATES OF NORTHING: 904664.103(11) EASTING: 2310809.687(11) THE AVERAGE COMBINED GRID FACTOR USED ON THIS PROJECT (GROUND TO GRID) IS: 1.00001358 THE N.C. LAMBERT GRID BEARING AND LOCALIZED HORIZONTAL GROUND DISTANCE FROM "B-3182-1" TO -L- STATION 10+00.00 IS N 4° 26' 40" W 1,153.57(11) ALL LINEAR DIMENSIONS ARE LOCALIZED HORIZONTAL DISTANCES VERTICAL DATUM USED IS NAVD 88

UTILITIES BY OTHERS

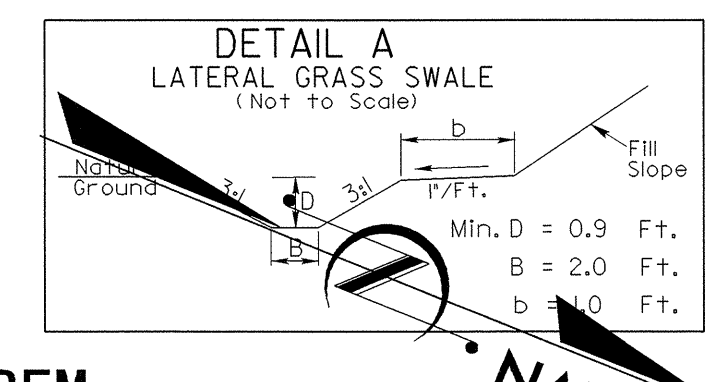
NOTE:
ALL PROPOSED UTILITY WORK SHOWN ON THIS SHEET WILL BE DONE BY OTHERS

GRASS SWALE
DA=0.5 AC
L = 150 FT

Q(5-YR) = 4 CFS
V = 1.7 FPS
D = 0.9 FT
So = 0.009

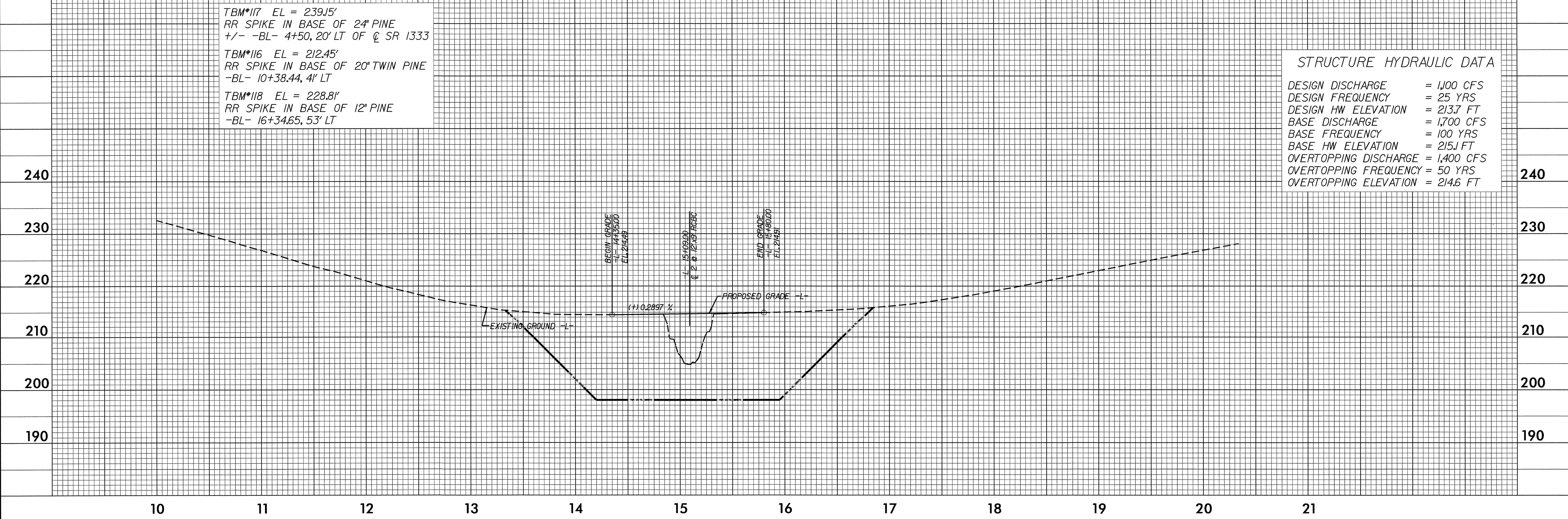
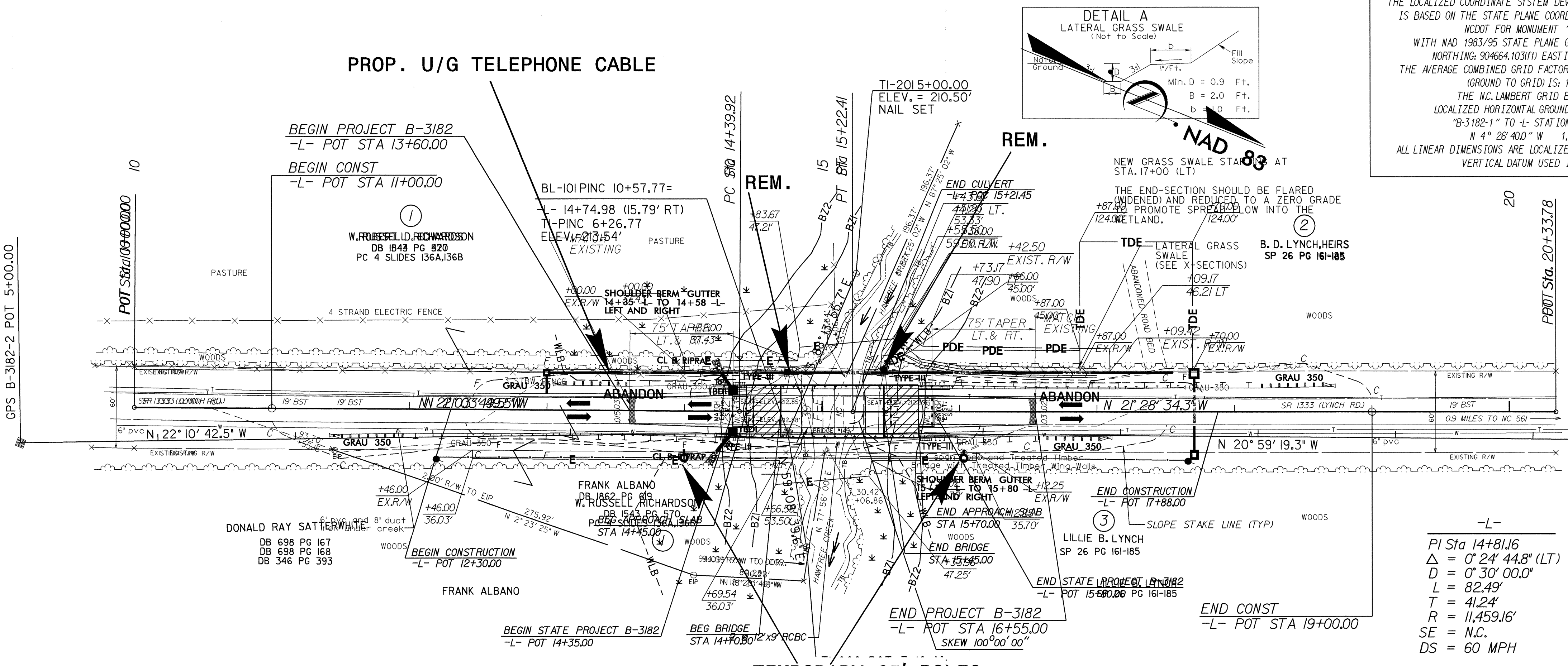
-L-
PI Sta 14+81.16
Δ = 0° 24' 44.8" (LT)
D = 0° 30' 00.0"
L = 82.49'
T = 41.24'
R = 11,459.16'
SE = N.C.
DS = 60 MPH

-L-
PI Sta 14+81.16
Δ = 0° 24' 44.8" (LT)
D = 0° 30' 00.0"
L = 82.49'
T = 41.24'
R = 11,459.16'
SE = NC
DS = 60 MPH



GPS B-3182-2 POT 5+00.00

GPS B-3182-3 POT 18+46.98



CG4:FILEB:200005_007388
REV:1/1/00
FILEB:200005_007388_001.dwg
1/1/00
1/1/00
1/1/00