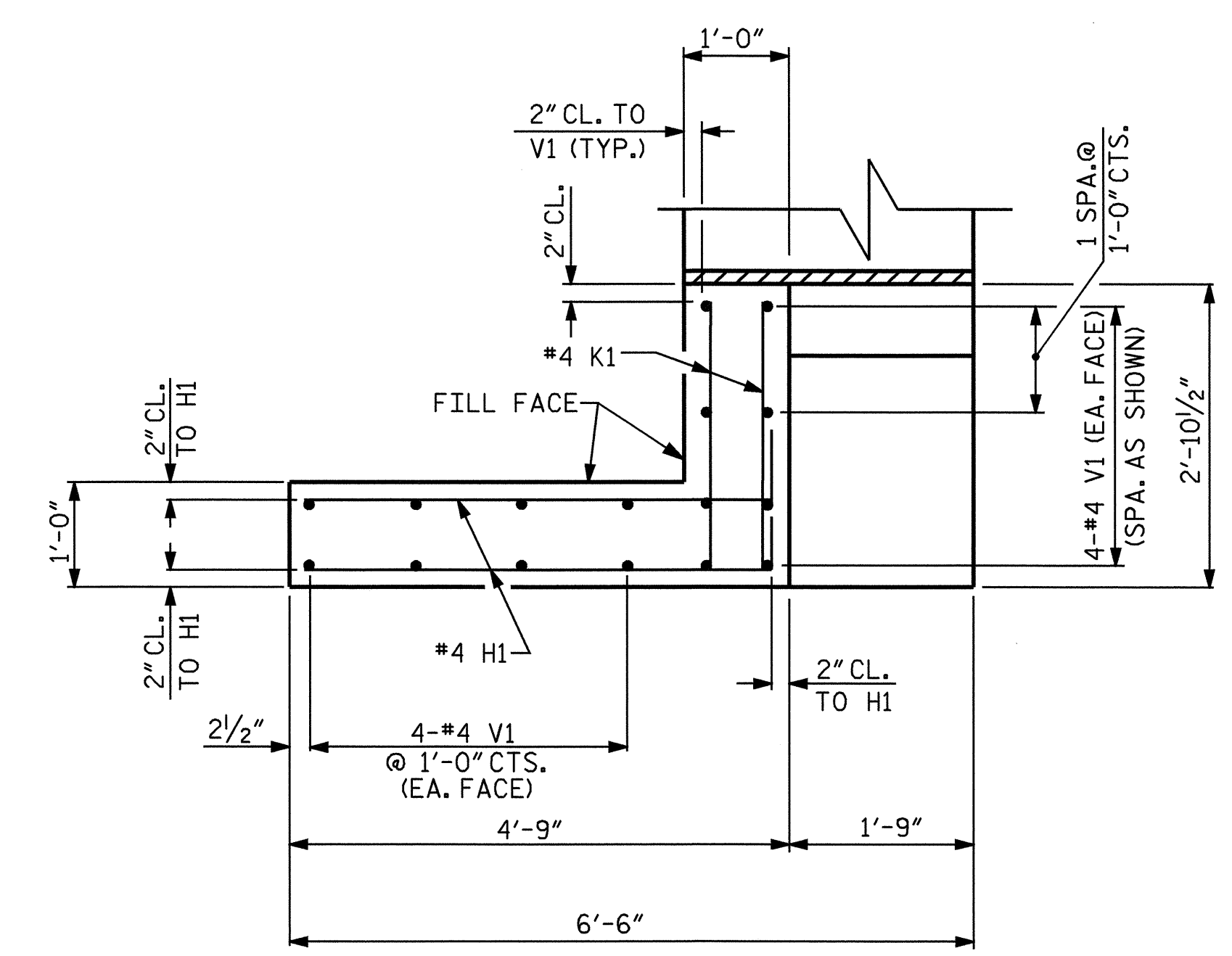
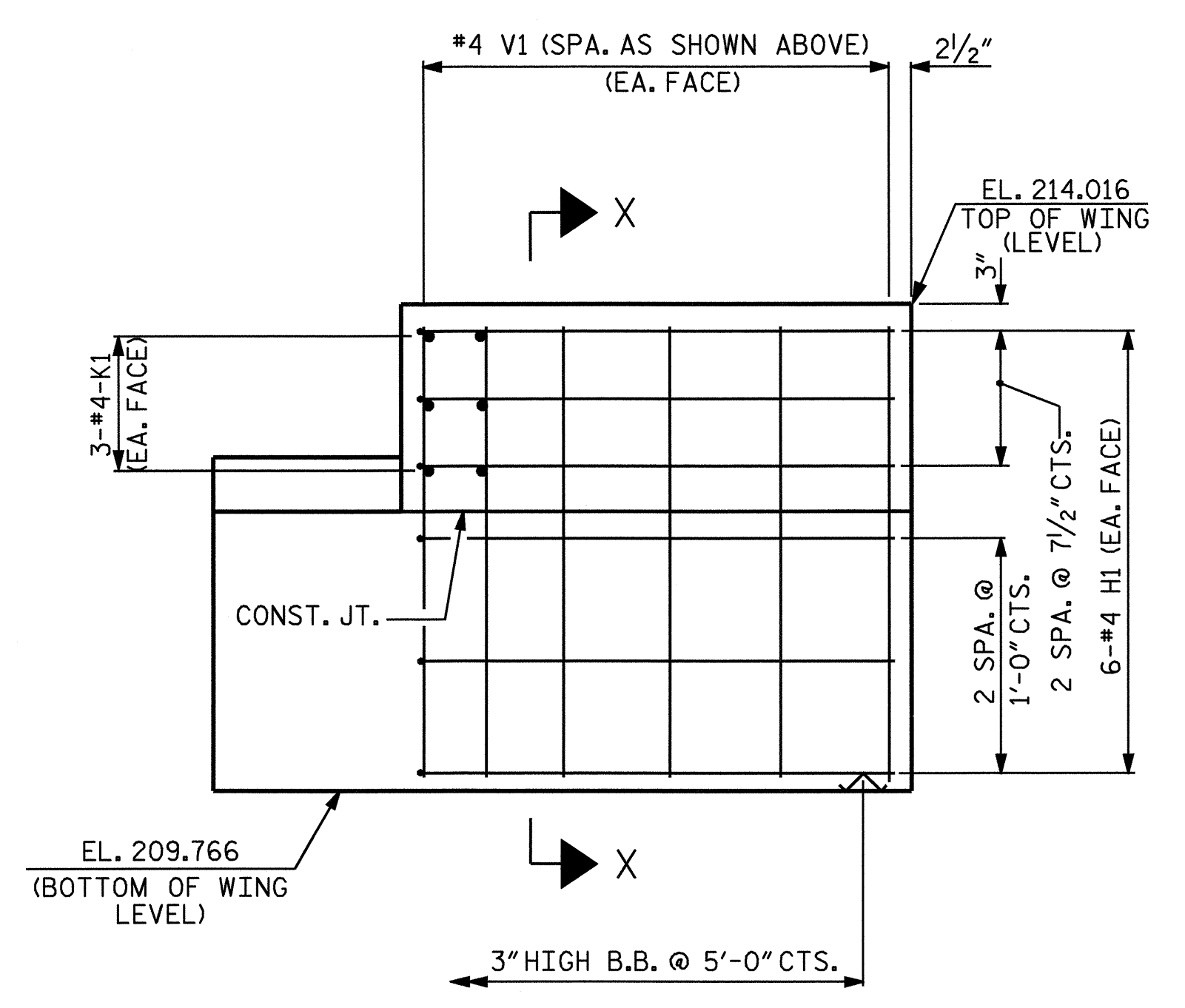


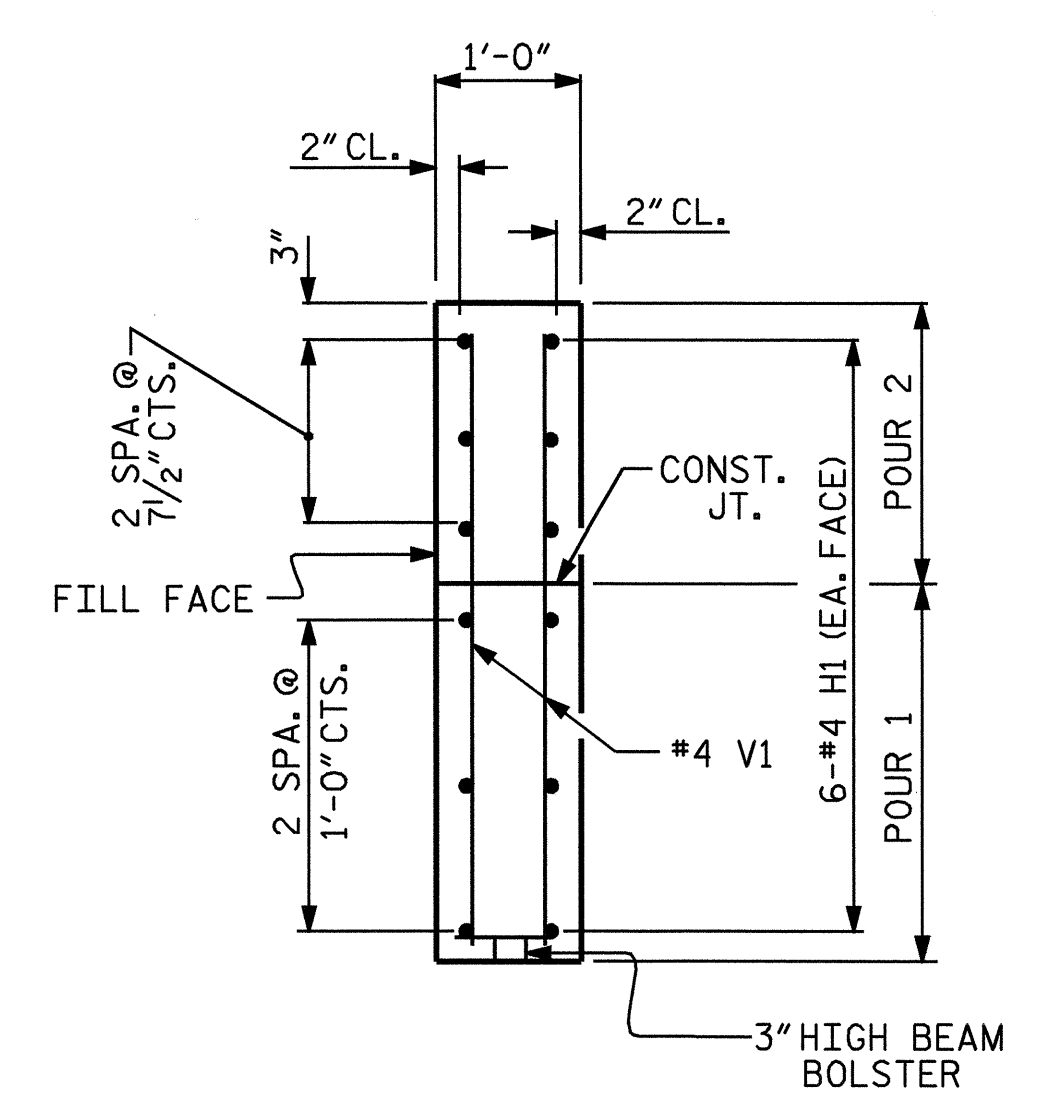
PLAN OF WING W1



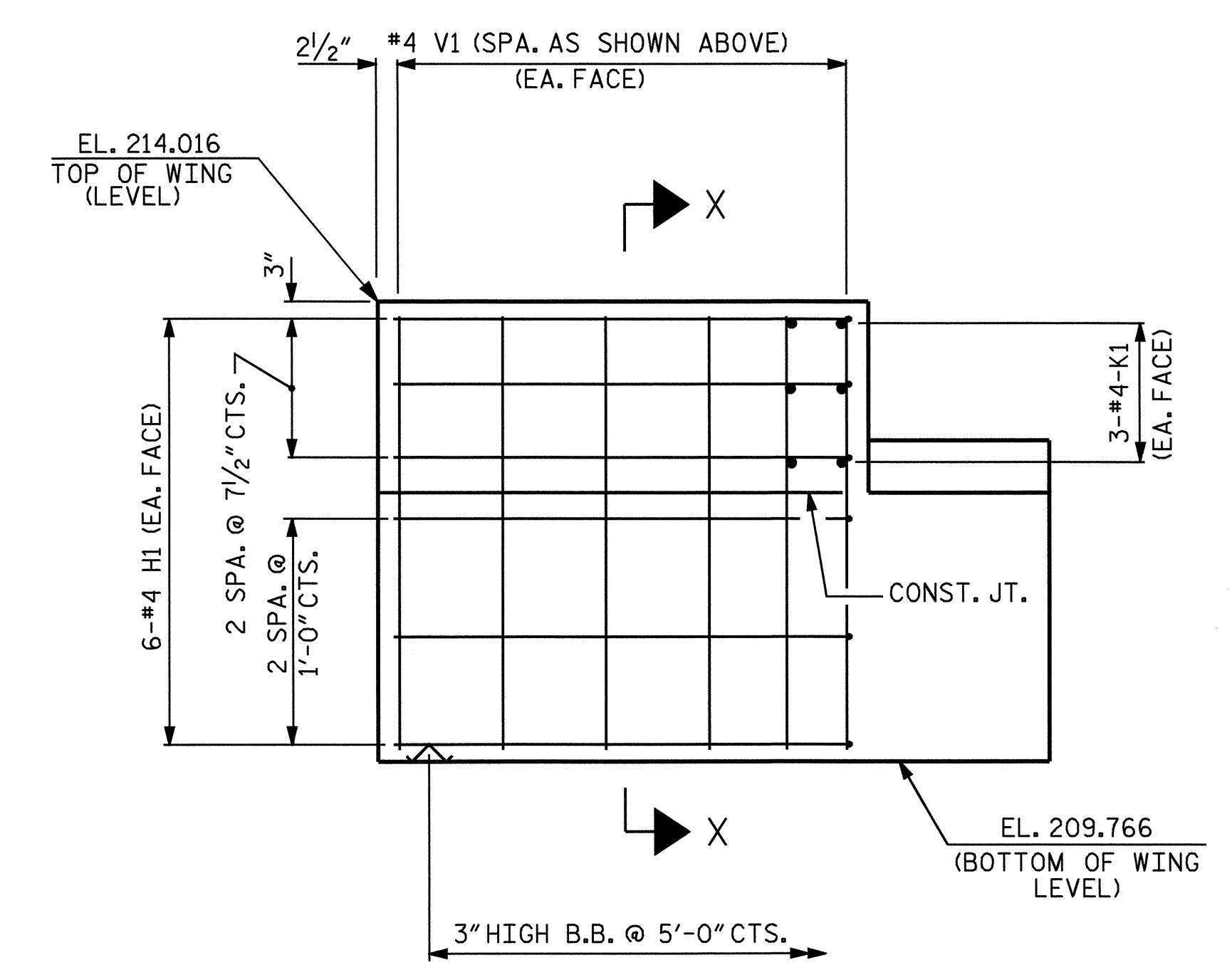
PLAN OF WING W2



ELEVATION OF WING W1



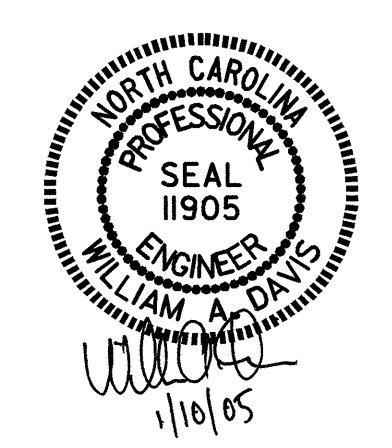
SECTION X-X



ELEVATION OF WING W2

PROJECT NO. B-3182  
HALIFAX COUNTY  
 STATION: 15+07.50 -L-  
 SHEET 2 OF 3

STATE OF NORTH CAROLINA  
 DEPARTMENT OF TRANSPORTATION  
 RALEIGH  
  
 SUBSTRUCTURE  
 END BENT #1



DRAWN BY : G. O. COOPER DATE : 2/02/04  
 CHECKED BY : J. G. KHARVA DATE : 2/7/04

REVISIONS						SHEET NO.
NO.	BY:	DATE:	NO.	BY:	DATE:	S-9
1			3			TOTAL SHEETS
2			4			19