

NOTES

THE GUARDRAIL ANCHOR ASSEMBLY SHALL CONSIST OF A 1/4" HOLD DOWN PLATE AND 7 - 7/8" Ø BOLTS WITH NUTS AND WASHERS.

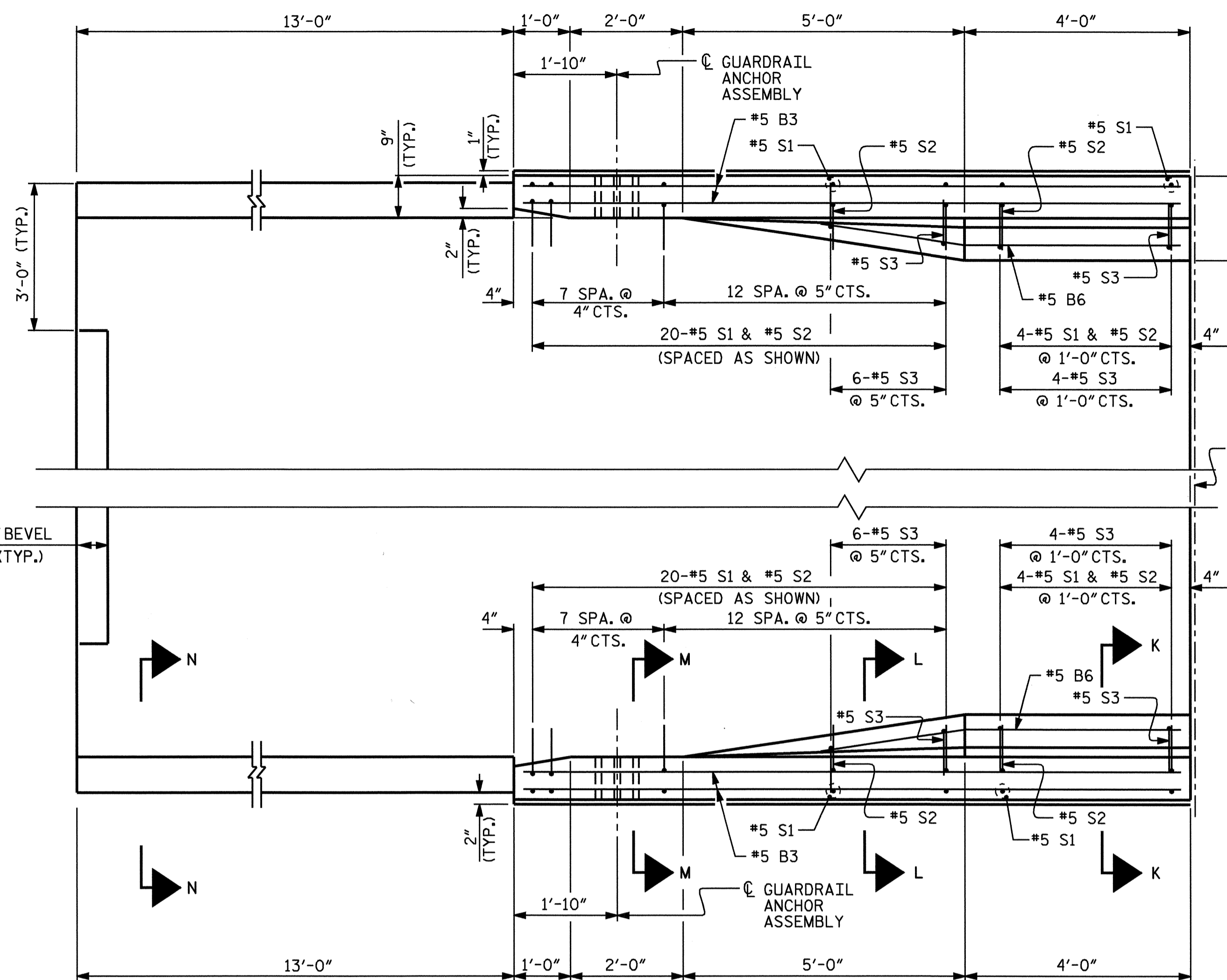
THE HOLD-DOWN PLATE SHALL CONFORM TO AASHTO M270 GRADE 36. AFTER FABRICATION, THE HOLD-DOWN PLATE SHALL BE HOT-DIP GALVANIZED IN ACCORDANCE WITH AASHTO M111.

BOLTS SHALL CONFORM TO THE REQUIREMENTS OF ASTM A307 AND NUTS SHALL CONFORM TO THE REQUIREMENTS OF AASHTO M291. BOLTS, NUTS AND WASHERS SHALL BE GALVANIZED. AT THE CONTRACTOR'S OPTION, STAINLESS STEEL BOLTS, NUTS AND WASHERS MAY BE USED AS AN ALTERNATE FOR THE 7/8" Ø GALVANIZED BOLTS, NUTS AND WASHERS. THEY SHALL CONFORM TO OR EXCEED THE MECHANICAL REQUIREMENTS OF ASTM A307. THE USE OF THIS ALTERNATE SHALL BE APPROVED BY THE ENGINEER.

AFTER INSTALLATION, THE EXPOSED THREAD OF THE BOLT SHALL BE BURRED WITH A SHARP POINTED TOOL.

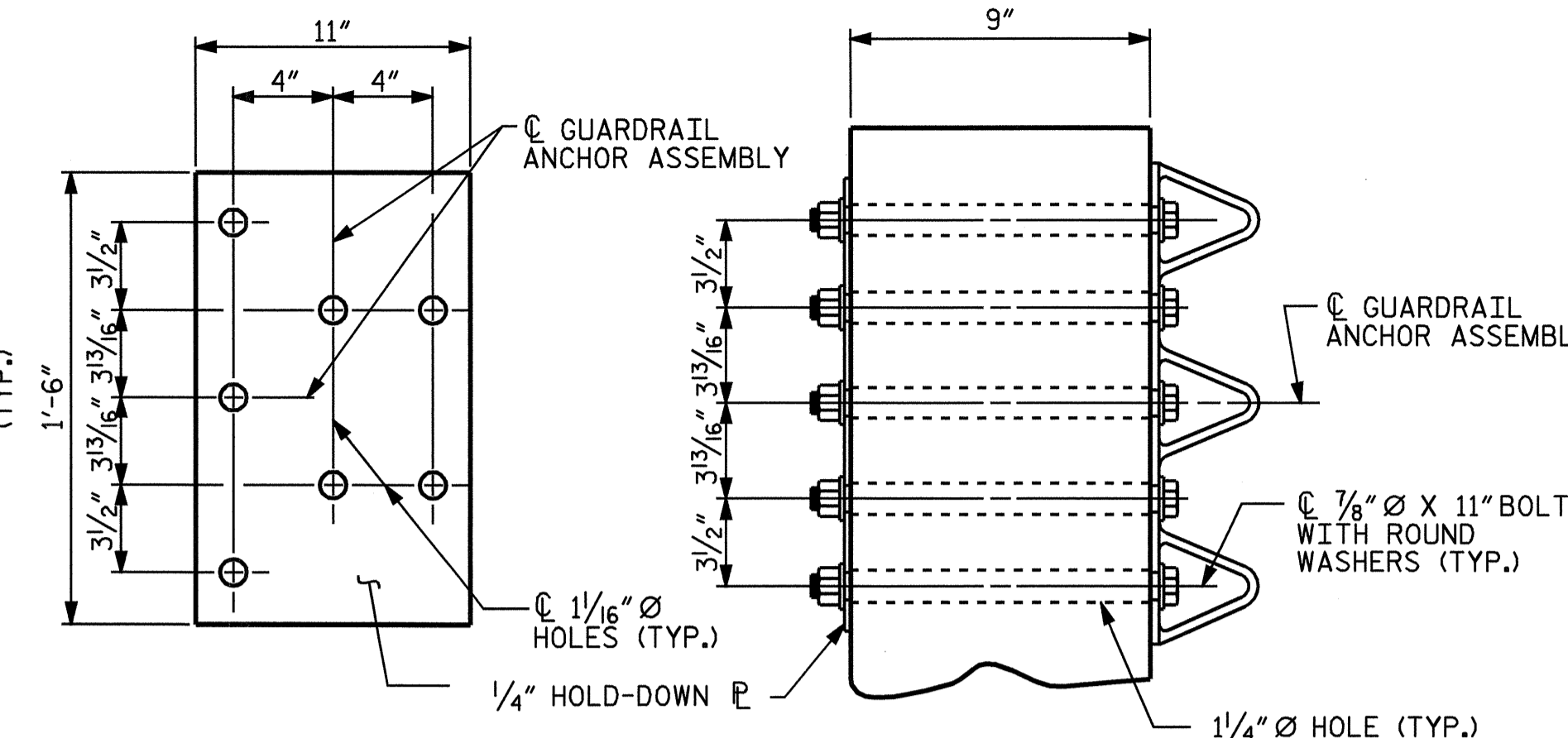
THE COST OF THE GUARDRAIL ANCHOR ASSEMBLIES WITH BOLTS, NUTS AND WASHERS COMPLETE IN PLACE, SHALL BE INCLUDED IN THE LUMP SUM CONTRACT PRICE BID FOR CONSTRUCTION OF SUPERSTRUCTURE.

THE 1 1/4" Ø HOLES SHALL BE FORMED OR DRILLED WITH A CORE BIT. IMPACT TOOLS WILL NOT BE PERMITTED. ANY CONCRETE DAMAGED BY THIS WORK SHALL BE REPAIRED TO THE SATISFACTION OF THE ENGINEER.



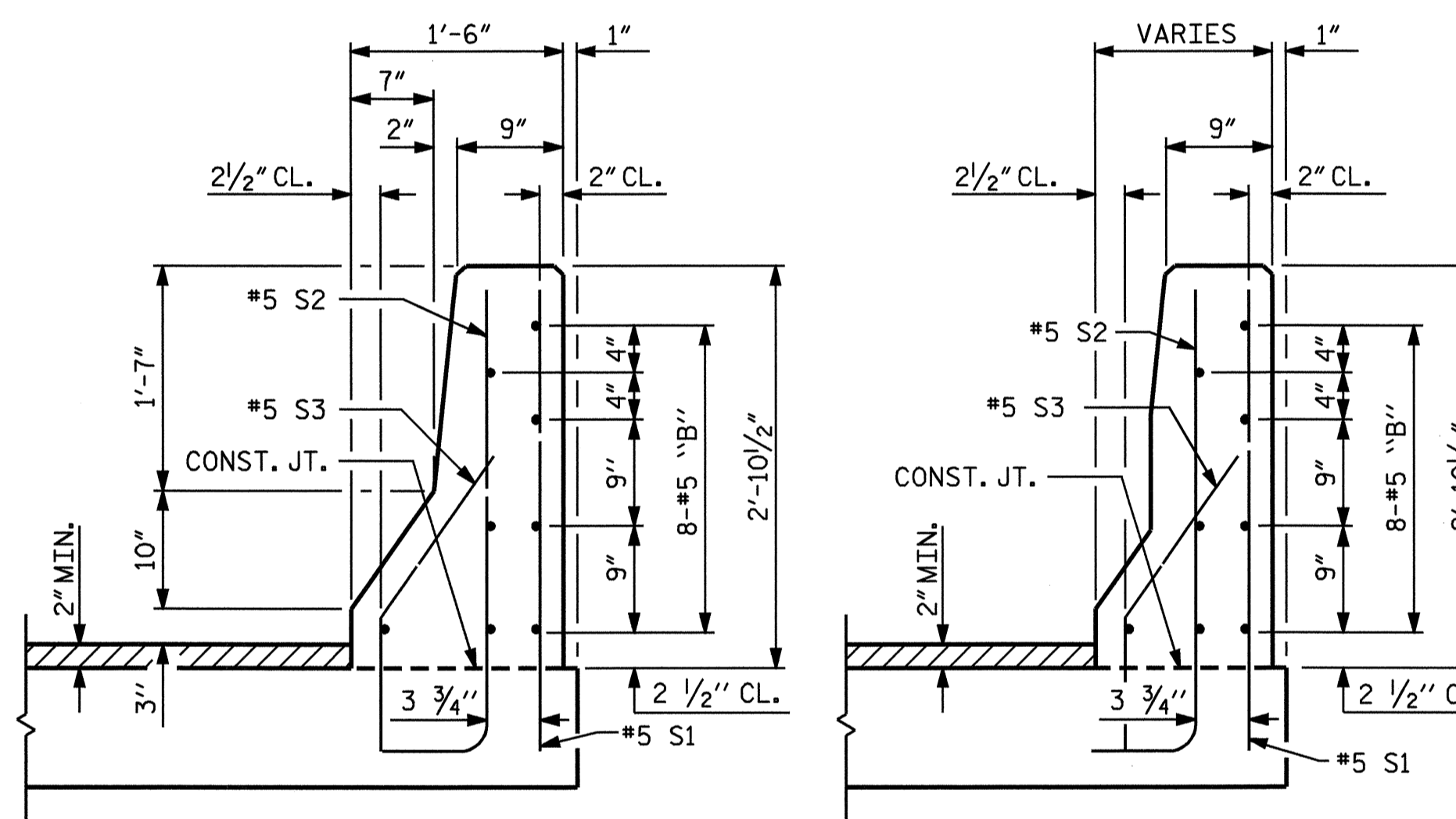
PLAN

BEGIN APPROACH SLAB SHOWN, END APPROACH SLAB SIMILAR



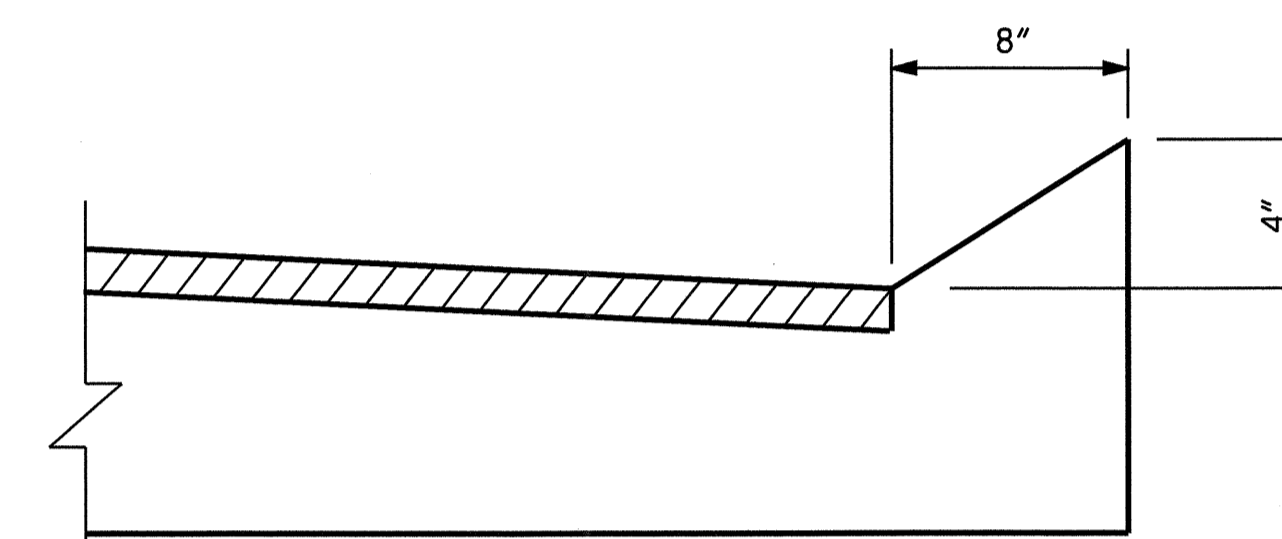
SECTION E-E

GUARDRAIL ANCHOR ASSEMBLY DETAILS

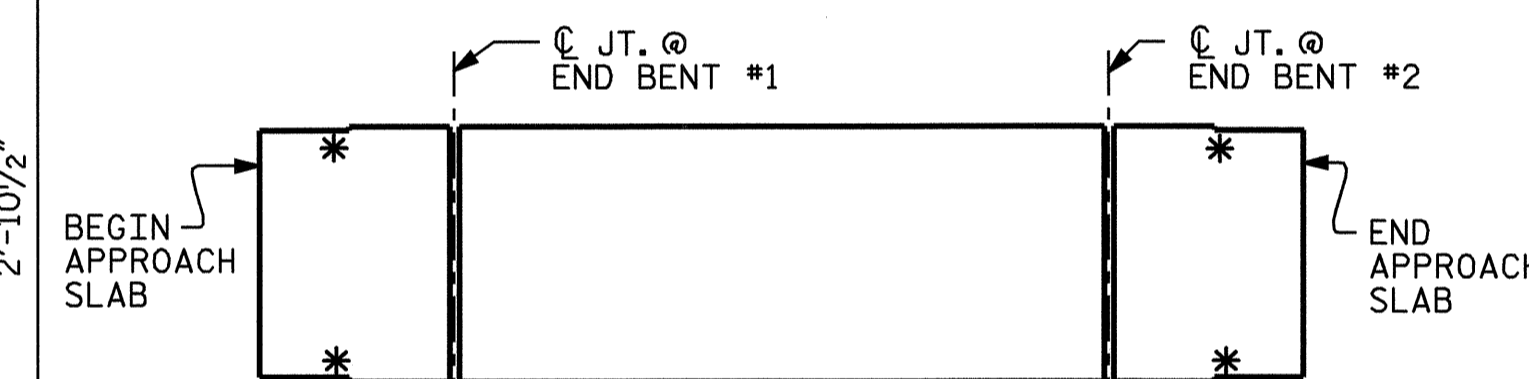


SECTION K-K

SECTION L-L

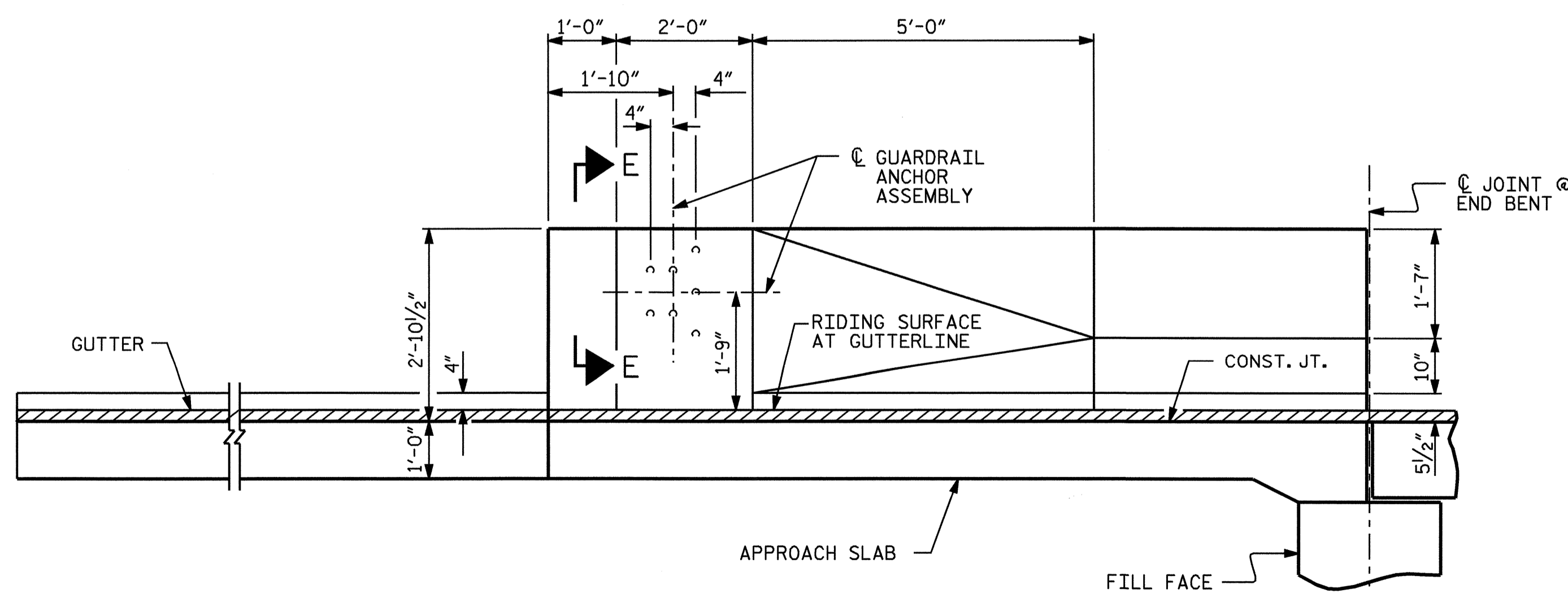


SECTION N-N

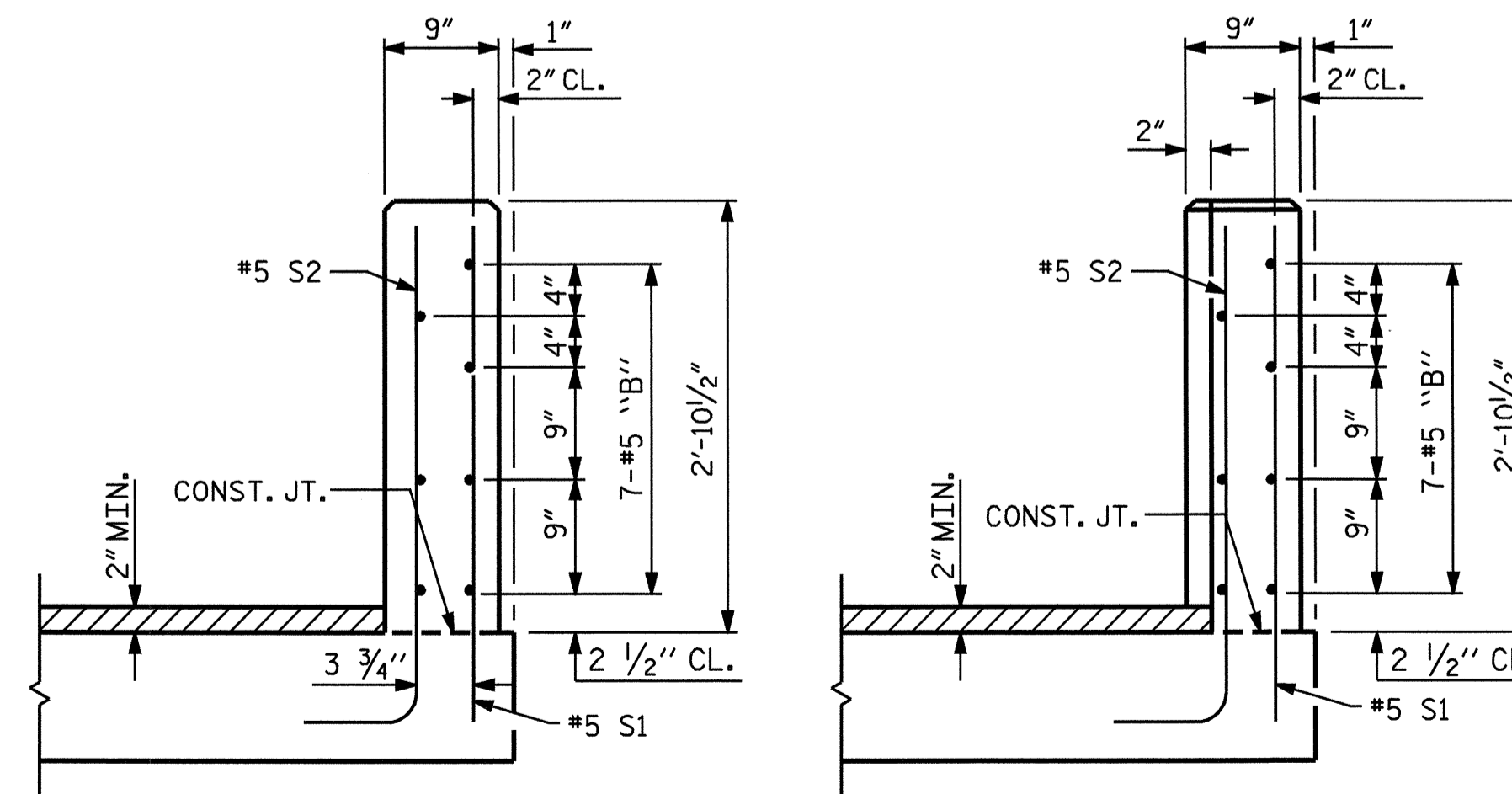


SKETCH SHOWING POINTS OF ATTACHMENT

* INDICATES POINTS OF ATTACHMENT

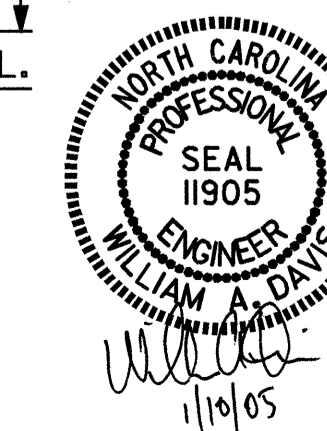


ELEVATION



SECTION M-M

END VIEW



PROJECT NO. B-3182
HALIFAX COUNTY
 STATION: 15+07.50 -L-

SHEET 2 OF 3

STATE OF NORTH CAROLINA
 DEPARTMENT OF TRANSPORTATION
 RALEIGH
 STANDARD
 BRIDGE APPROACH SLAB
 DETAILS FOR
 PRESTRESSED CONCRETE
 CORED SLAB WITH
 BARRIER RAIL

REVISIONS						SHEET NO. S-18
NO.	BY:	DATE:	NO.	BY:	DATE:	
1			3			TOTAL SHEETS 19
2			4			

STD. NO. BAS9

ASSEMBLED BY : <u>J. D. HAWK</u>	DATE : <u>05/01/04</u>
CHECKED BY : <u>J. G. KHARVA</u>	DATE : <u>10/4/04</u>
DRAWN BY : <u>LES 8/01</u>	REV. <u>5/7/03</u> RWW/JTE
CHECKED BY : <u>RDR 8/01</u>	