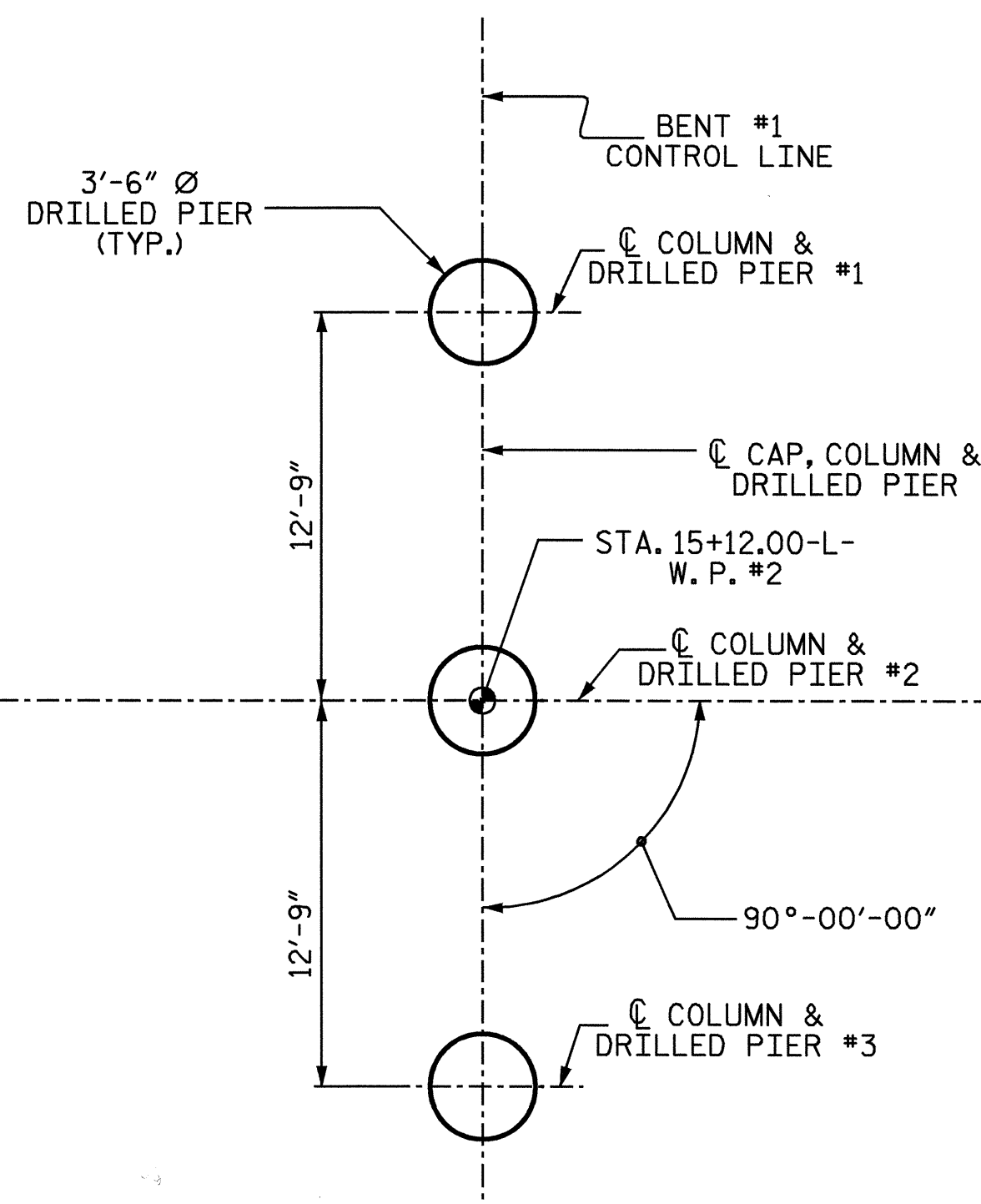
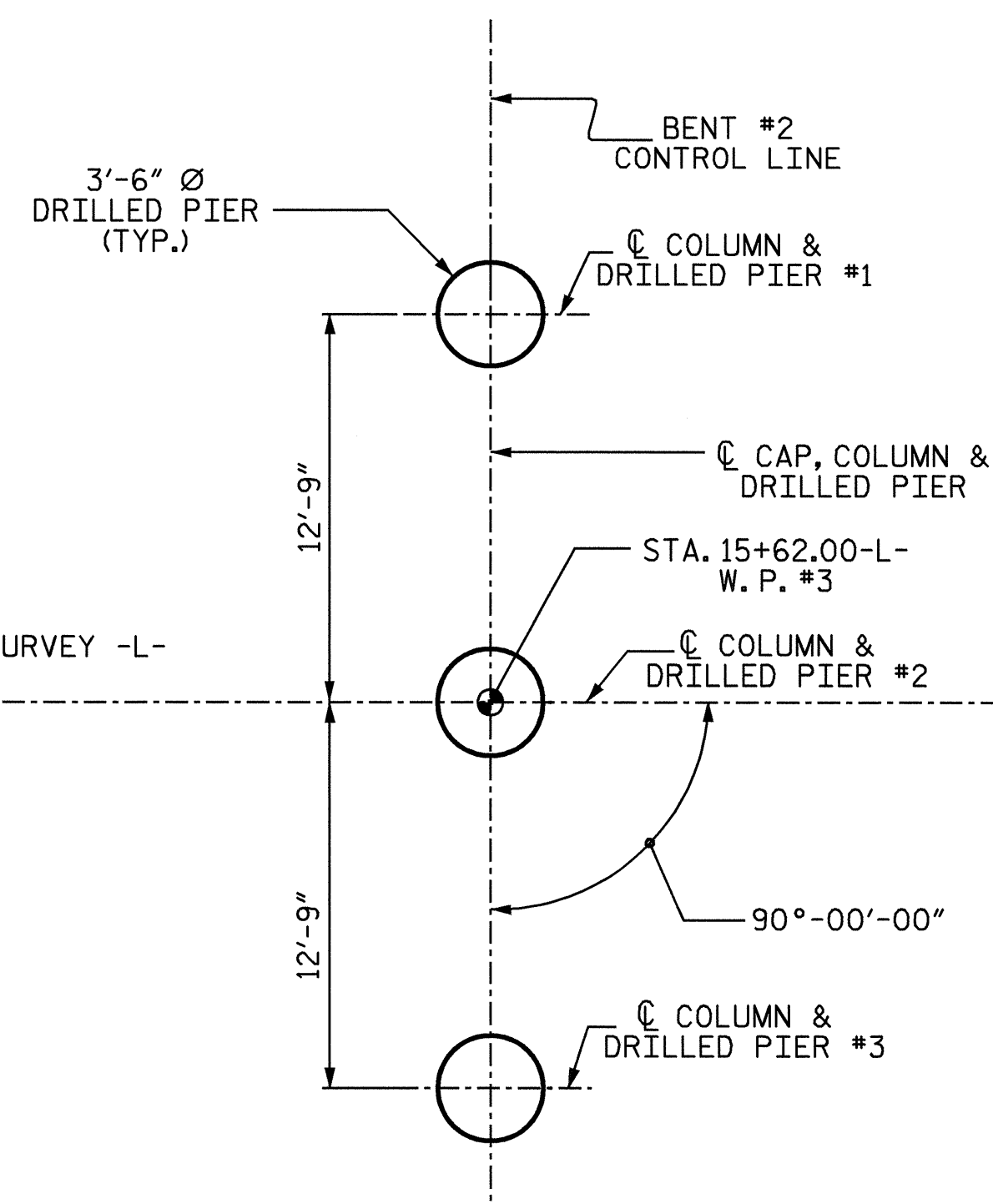


END BENT #1

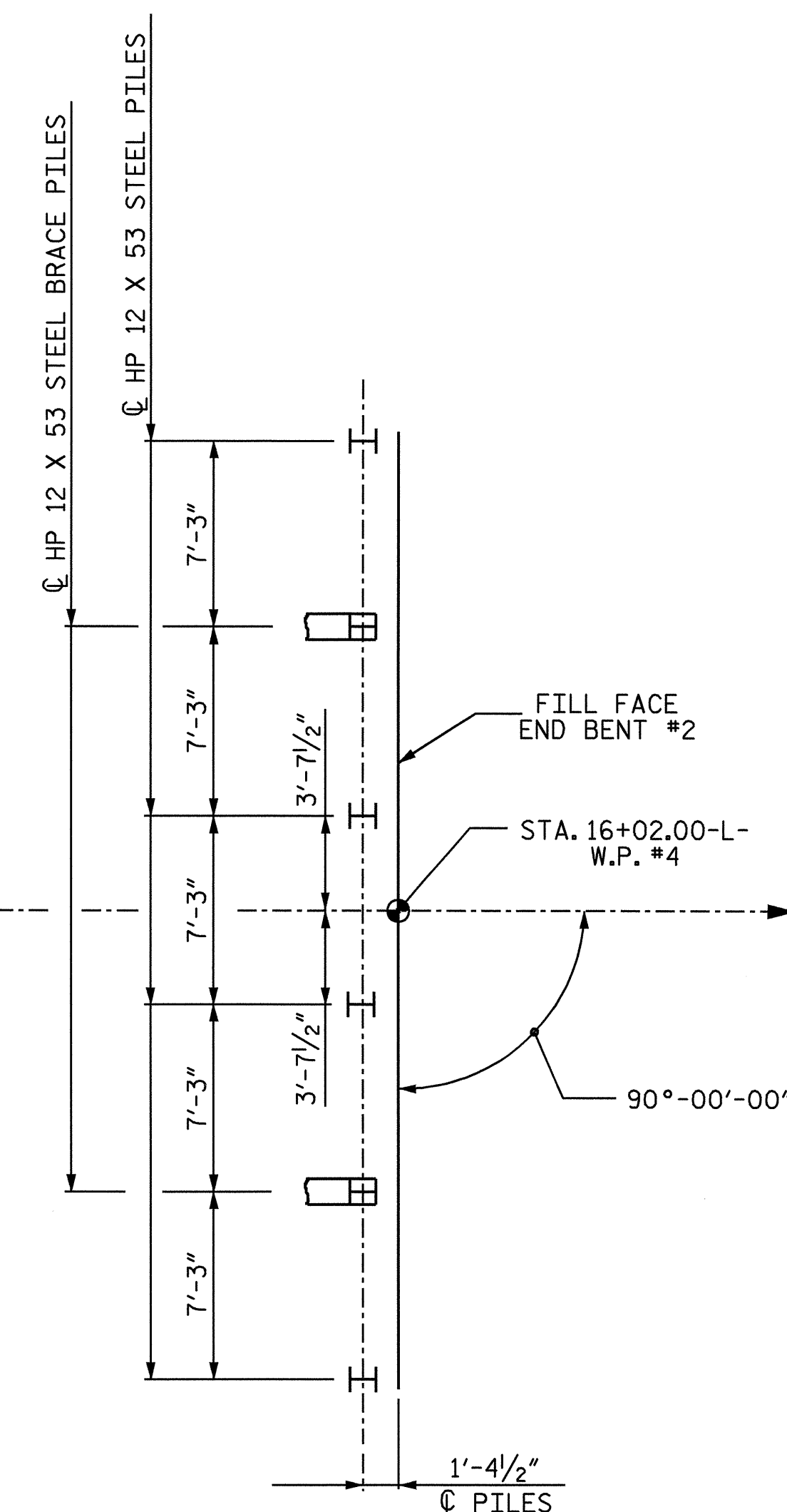


BENT #1

STA. 15+37.00-L-  
CL BRIDGE



BENT #2



END BENT #2

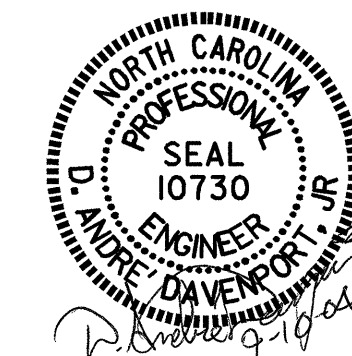
FOUNDATION LAYOUT

HP 12 X 53 STEEL BRACE PILES ARE BATTERED 3:12  
DIMENSIONS LOCATING PILES ARE SHOWN TO THE PILE CENTERLINE

PROJECT NO. B-4515  
FRANKLIN COUNTY  
STATION: 15+37.00-L-

SHEET 2 OF 3

STATE OF NORTH CAROLINA  
DEPARTMENT OF TRANSPORTATION  
RALEIGH  
GENERAL DRAWING  
FOR BRIDGE OVER  
BEAR SWAMP CREEK ON  
SR 1235 BETWEEN  
SR 1237 AND SR 1276



DRAWN BY : D. A. DAVENPORT DATE : 8/04  
CHECKED BY : H.T. BARBOUR DATE : 8/04

10-SEP-2004 08:00  
W:\sqad\jnb4515\davenport\Microsoft\10n\4515.sd\_gd\_01.dgn  
ddavenport

REVISIONS						SHEET NO.
NO.	BY:	DATE:	NO.	BY:	DATE:	5-2
1			3			TOTAL SHEETS
2			4			24

NC005