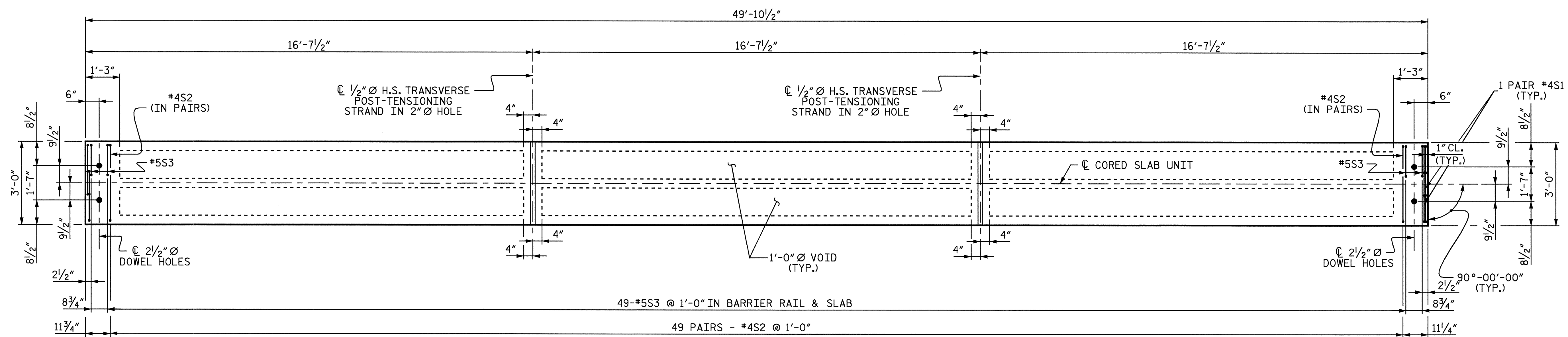


PLAN OF INTERIOR SLAB - SPAN B



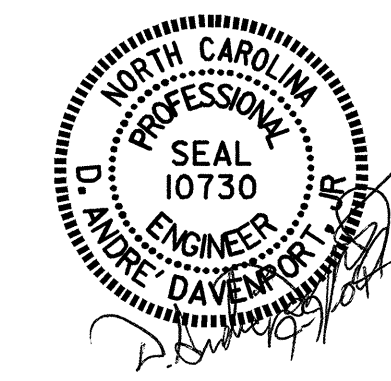
PLAN OF EXTERIOR SLAB - SPAN B

PROJECT NO. B-4515
FRANKLIN COUNTY
 STATION: 15+37.00-L-

SHEET 6 OF 7

STATE OF NORTH CAROLINA
 DEPARTMENT OF TRANSPORTATION
 RALEIGH

SUPERSTRUCTURE
 PLAN OF SPAN B
 CORED SLAB DETAILS



DRAWN BY : B.N. GRADY/AAC DATE : 12/02
 CHECKED BY : H.T. BARBOUR DATE : 9/04

REVISIONS						SHEET NO.
NO.	BY:	DATE:	NO.	BY:	DATE:	S-9
1			3			TOTAL SHEETS
2			4			24