

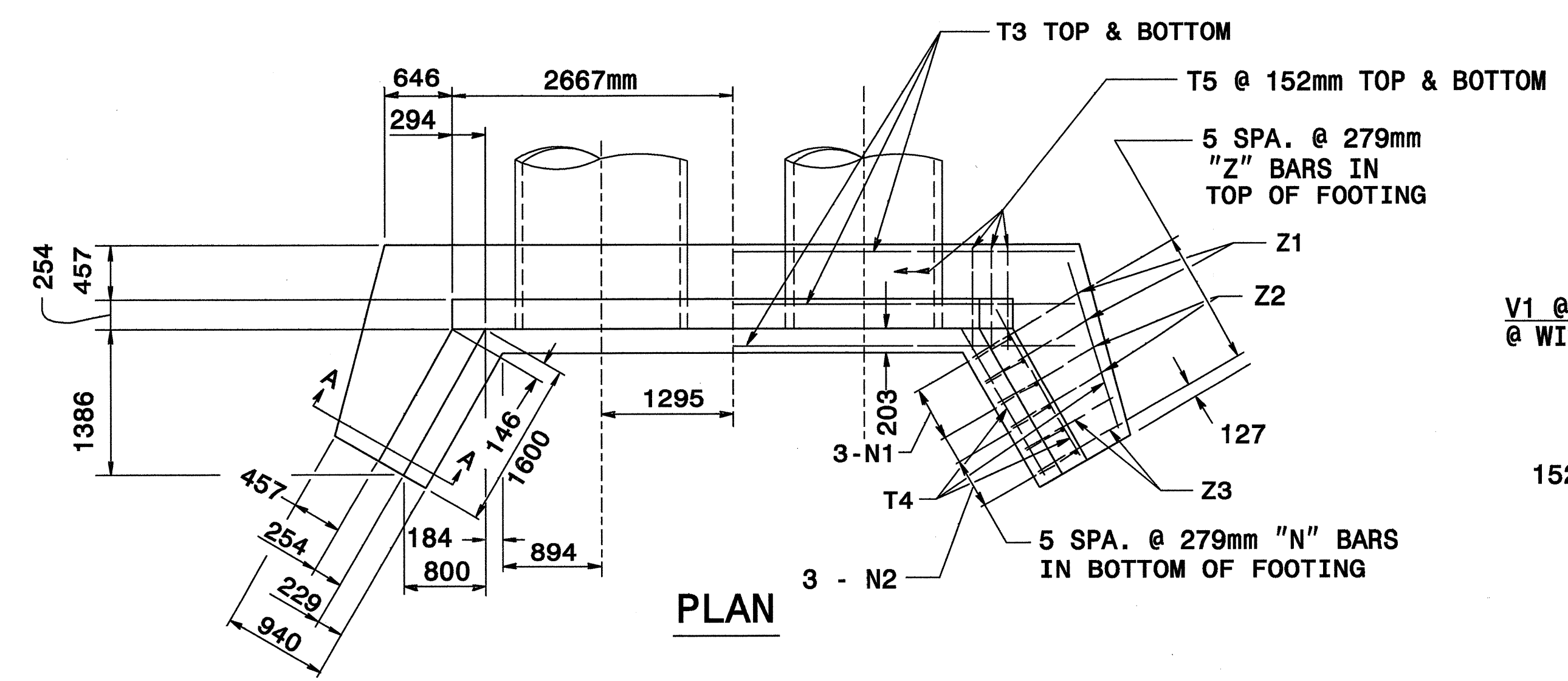


STATE OF NORTH CAROLINA
 DEPT. OF TRANSPORTATION
 DIVISION OF HIGHWAYS
 RALEIGH, N.C.

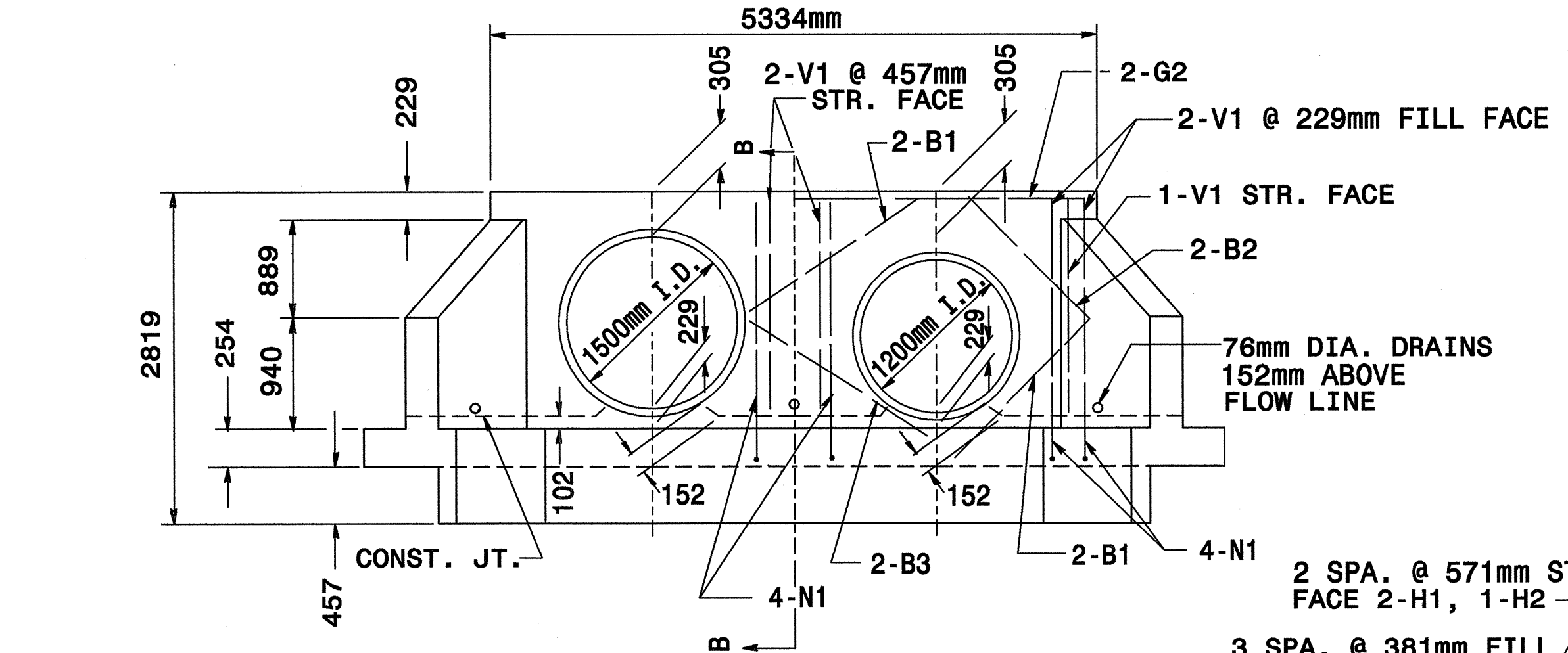
STATE OF NORTH CAROLINA
 DEPT. OF TRANSPORTATION
 DIVISION OF HIGHWAYS
 RALEIGH, N.C.

METRIC DETAIL DRAWING FOR
REINFORCED CONCRETE ENDWALL
 1200mm & 1500mm PIPE - 90° SKEW

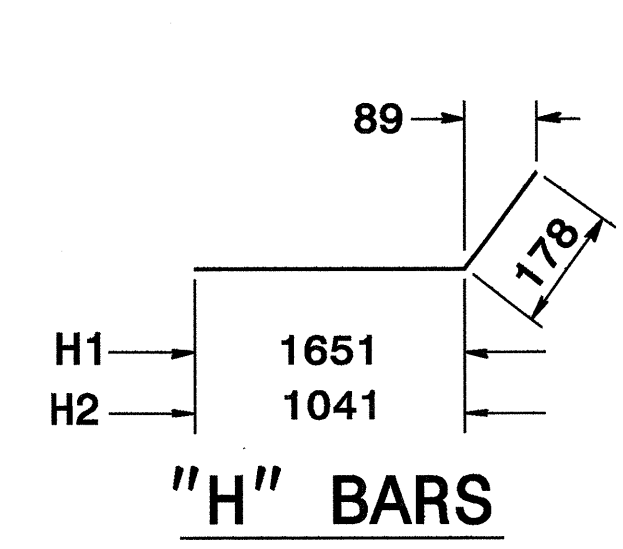
METRIC DETAIL DRAWING FOR
REINFORCED CONCRETE ENDWALL
 1200mm & 1500mm PIPE - 90° SKEW



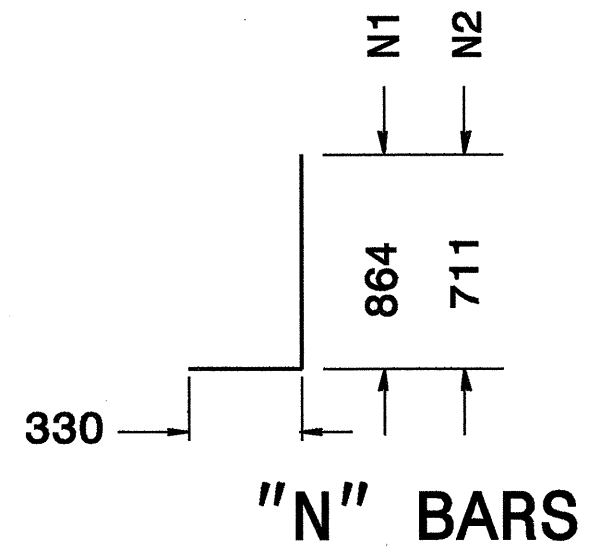
PLAN



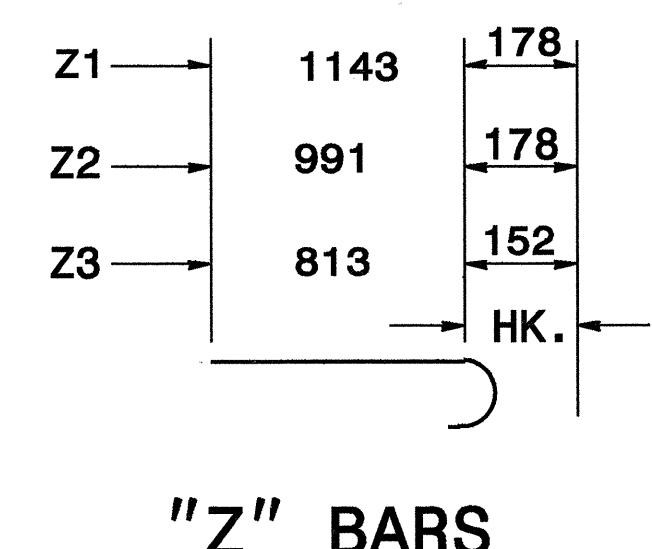
ELEVATION



"H" BARS



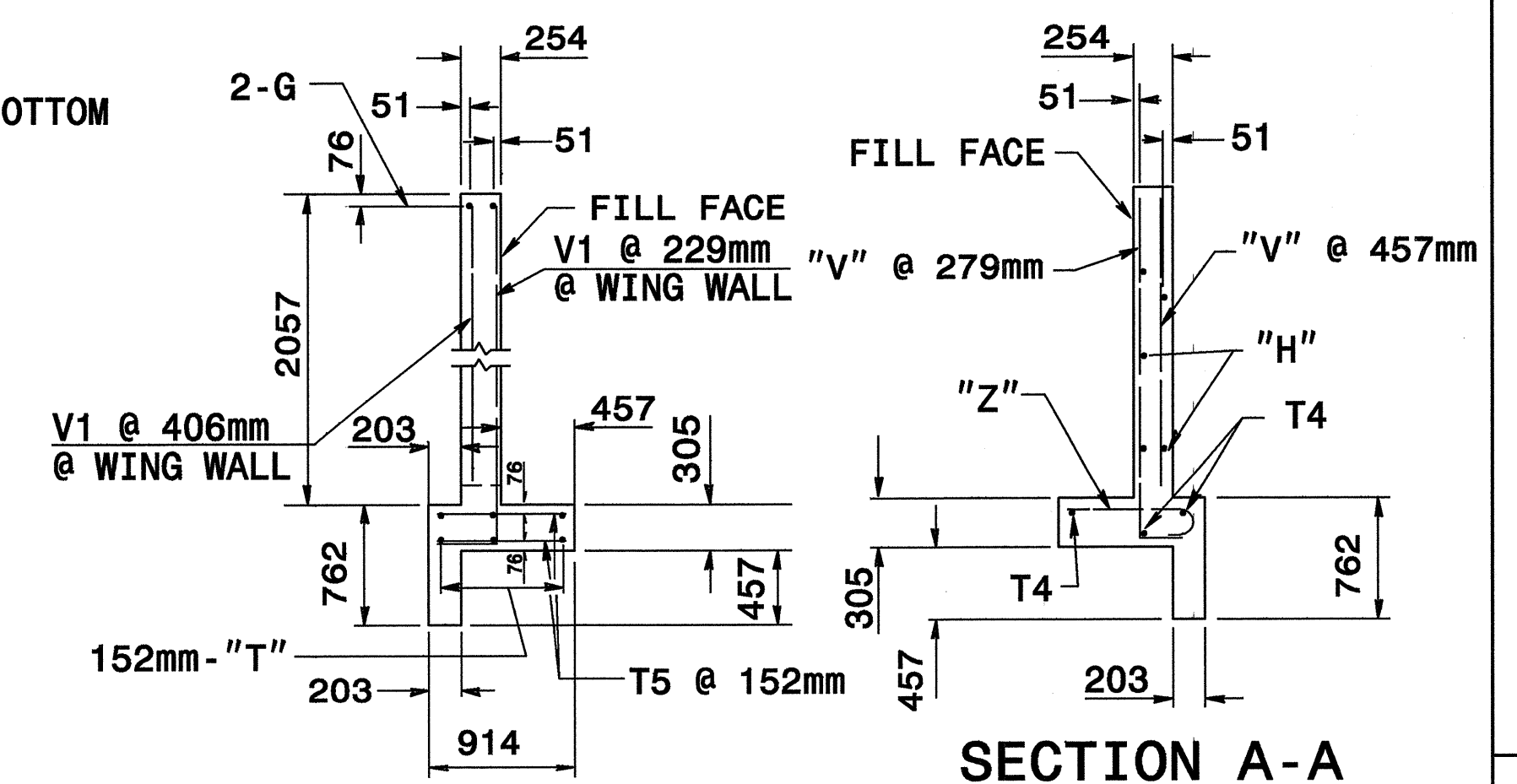
"N" BARS



"Z" BARS

Note:
 This drawing is dimensioned in millimeters unless otherwise depicted within the drawing.

"H", "N", & "Z" BAR DIMENSIONS ARE OUT TO OUT.



SECTION B-B
 PIPE NOT SHOWN

SECTION A-A

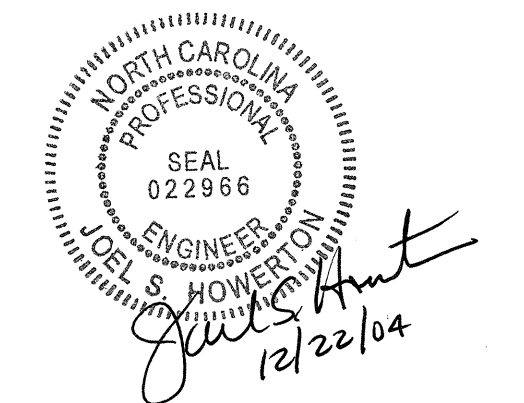
SEE STD. 838.45 FOR GENERAL NOTES.

BILL OF MATERIAL FOR ENDWALL REINFORCING STEEL

BAR	SIZE	LENGTH	NO.	WEIGHT
B1	#13	1676	8	16
B2	#13	1372	4	6
B3	#13	1981	4	8
G2	#22	5232	2	32
H1	#13	1829	10	18
H2	#13	1219	4	5
N1	#13	1194	14	17
N2	#13	1041	6	6
T1	#13	6452	6	39
T4	#13	1676	6	10
T5	#13	762	70	53
V1	#13	1905	12	23
V2	#13	1549	6	9
V3	#13	1194	6	7
V4	#13	838	6	5
Z1	#13	1321	4	5
Z2	#13	1168	4	5
Z3	#13	965	4	4

REINF. STEEL kg. 268

CON./R.C. m³ 6.0



DESIGN SERVICES UNIT
 STANDARDS AND SPECIAL DESIGN
 Office 919-250-4128 FAX 919-250-4119

SEE PLATE FOR TITLE

ORIGINAL BY: T.S.S. DATE: May 1998
 MODIFIED BY: DATE:
 CHECKED BY: DATE: 6/98
 FILE SPEC.: 06113:usr/details/stand/metric/838d28m.dgn