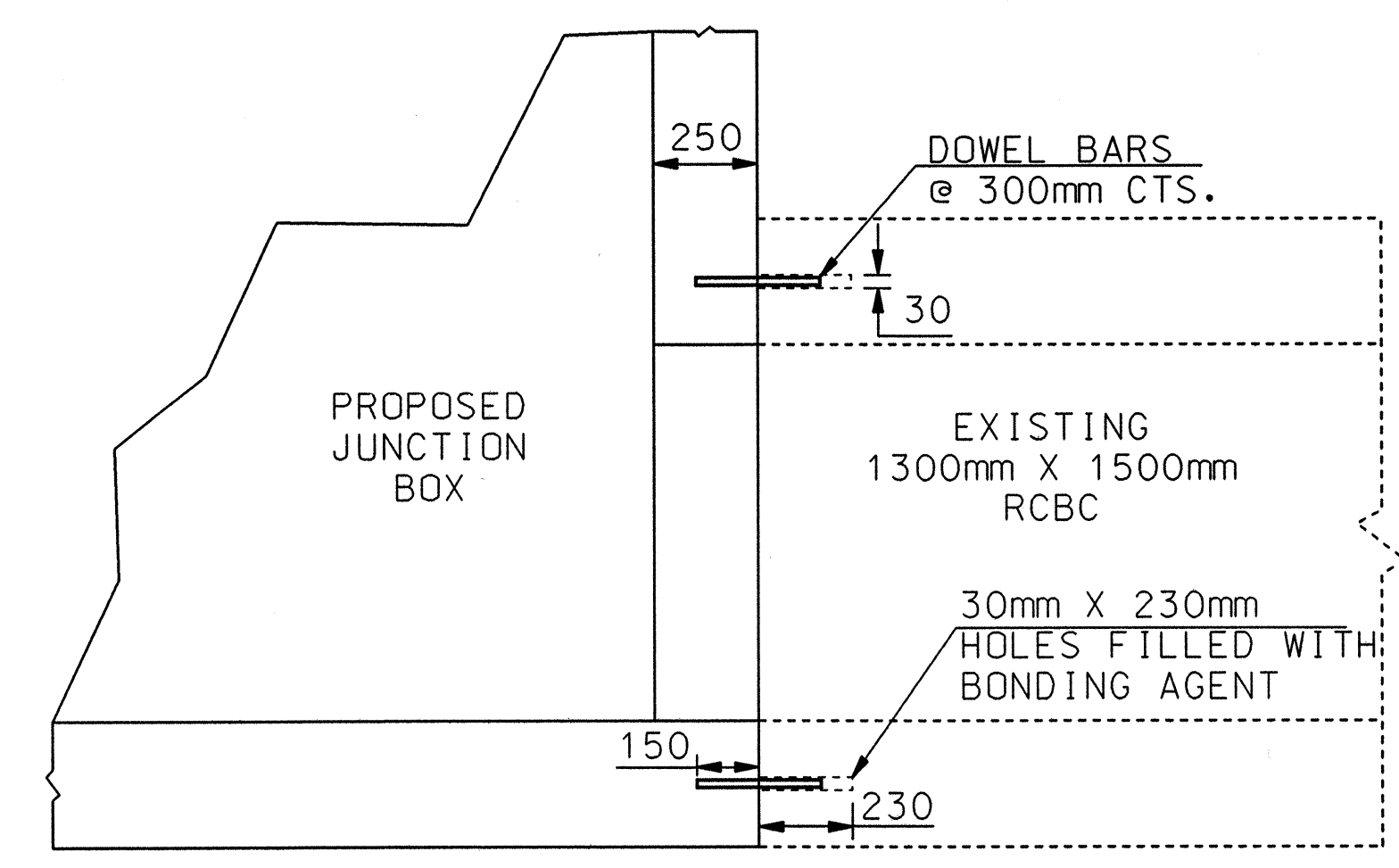
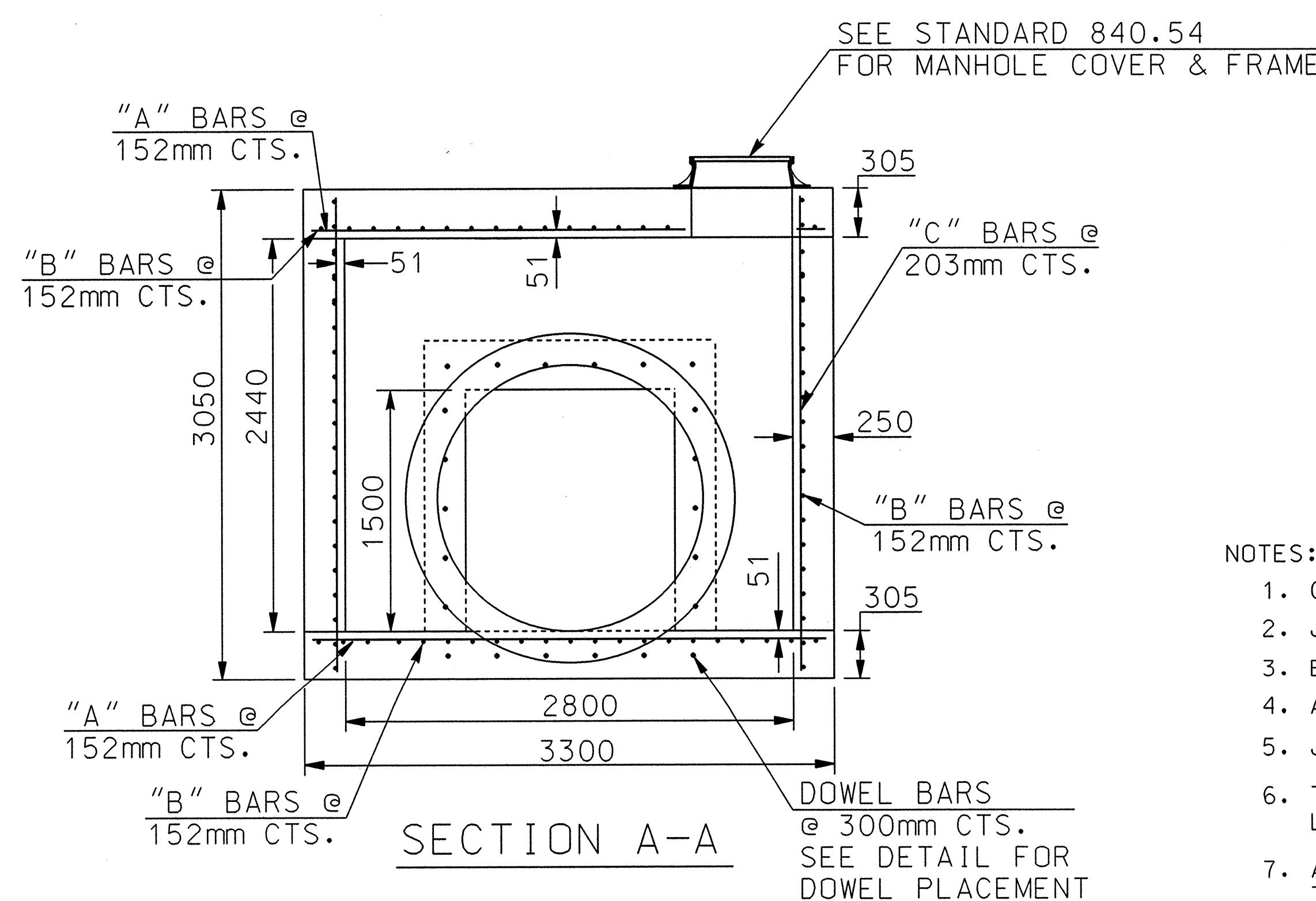


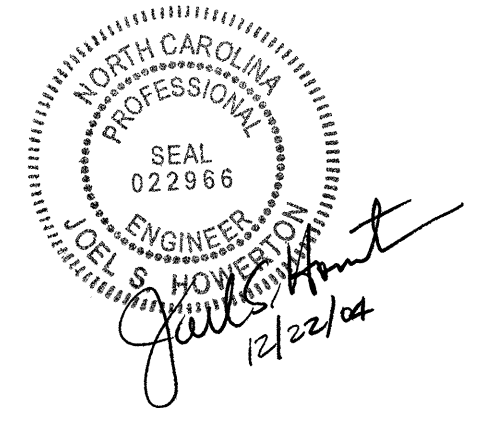
BILL OF MATERIAL

BAR NO.	SIZE	LENGTH	NUMBER	TOTAL
A	#19	3200	58	415
B	#19	1620	80	291
C	#16	2950	44	201
D	#19	914	4	8
DOWEL	#19	300	22	15
TOTAL WEIGHT - (kg)				930
CL. "A" CONC. - (cu. m.)				7.7



SEE NOTES

- NOTES:
1. CHAMFER ALL EXPOSED CORNERS 25mm.
 2. JUNCTION BOX SHALL BE CONSTRUCTED OF CLASS "A" CONCRETE.
 3. BOTTOM SLAB SHALL BE CONSTRUCTED BY FORMING.
 4. ALL MATERIAL AND WORKMANSHIP SHALL BE OF GOOD QUALITY AND SHALL BE APPROVED BY THE ENGINEER.
 5. JUNCTION BOX MAY BE ADJUSTED AS FIELD CONDITIONS DICTATE AND AS DIRECTED BY THE ENGINEER.
 6. THE CONTRACTOR SHALL USE AN APPROVED BONDING SYSTEM CAPABLE OF RESISTING A PULL OUT LOAD OF 73kN PER METER.
 7. ANCHOR HOLES SHALL BE DRILLED WITH A PNEUMATIC DRILL UNLESS OTHERWISE APPROVED BY THE ENGINEER.
 8. ANCHOR HOLES SHALL BE DRILLED IN STRICT ACCORDANCE WITH MANUFACTURER'S RECOMMENDATIONS.
 9. ALL DEBRIS, CHIPS, DUST, GREASE, OIL AND OTHER FOREIGN MATTER SHALL BE REMOVED FROM THE ANCHOR HOLES PRIOR TO THE APPLICATION OF THE ADHESIVE BONDING SYSTEM.
 10. ALL JUNCTION BOXES OVER 1.0m IN DEPTH SHALL BE PROVIDED WITH STEPS 355mm ON CENTERS. STEPS SHALL BE IN ACCORDANCE WITH STD. DWG. 840.66.



**DESIGN SERVICES UNIT
STANDARDS AND SPECIAL DESIGN**
Office 919-250-4128 FAX 919-250-4119

DETAIL OF TRAFFIC BEARING REINFORCED CONCRETE JUNCTION BOX CONNECTING OF 1650mm RCP TO EXISTING RC BOX CULVERT

ORIGINAL BY: L. ROBINSON DATE: MAY 1992
 MODIFIED BY: C.O. CUBVAS DATE: JUNE 1998
 CHECKED BY: *Joel S. Howerton* DATE: 7/98
 FILE SPEC.: 537:usr/cesqr/metric/jb1756801.dgn