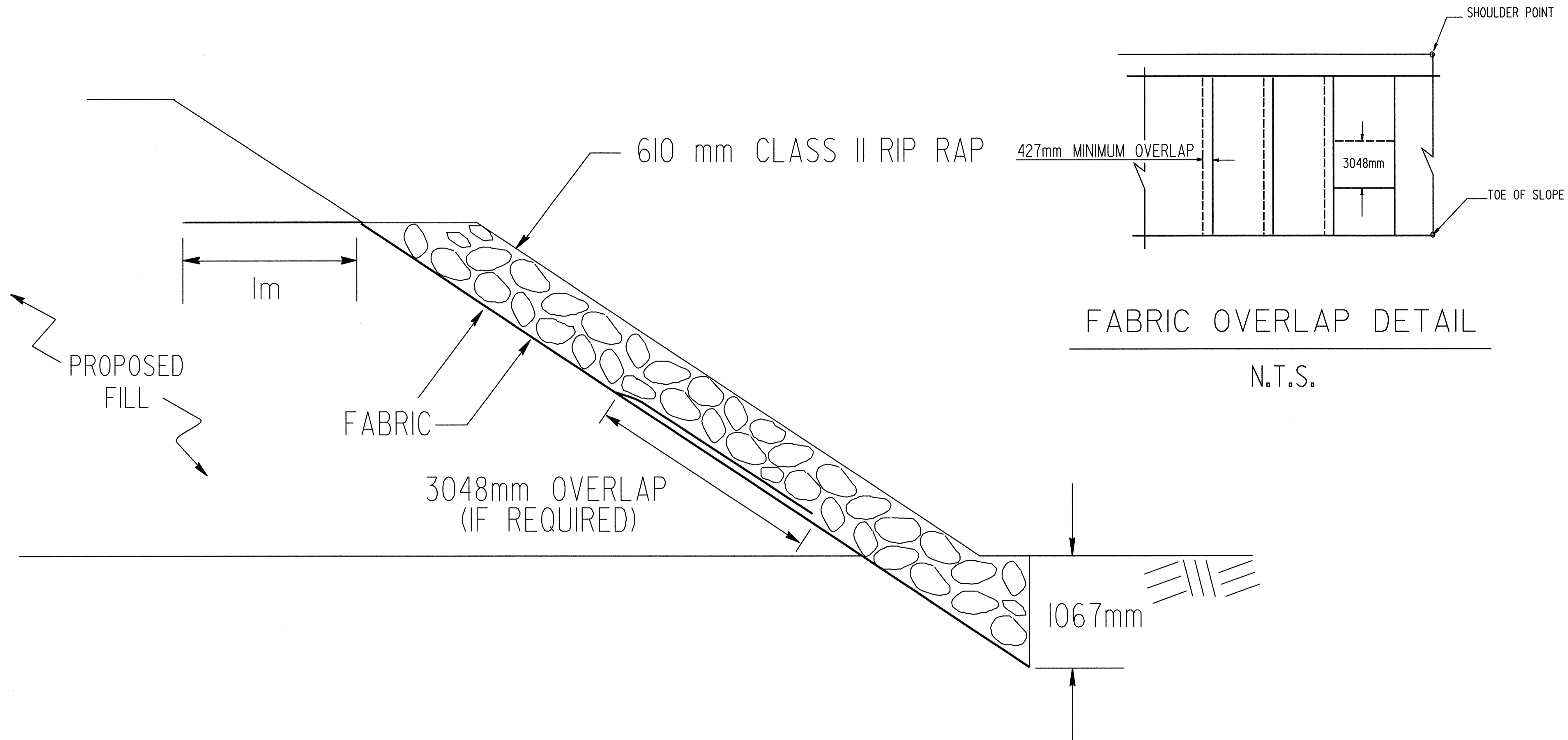


PROJ. REFERENCE NO.	SHEET NO.	TOTAL SHEETS
R-977A	2-R	
STATE PROJ. NO.	F.A. PROJ. NO.	DESCRIPTION



PROJECT R-977A
CHEROKEE COUNTY
 STATION _____

STATE OF NORTH CAROLINA
 DEPARTMENT OF TRANSPORTATION
 RALEIGH

SLOPE PROTECTION
 DETAIL

DRAWN BY NS DATE 7/98
 CHECKED BY GRT DATE 7/98