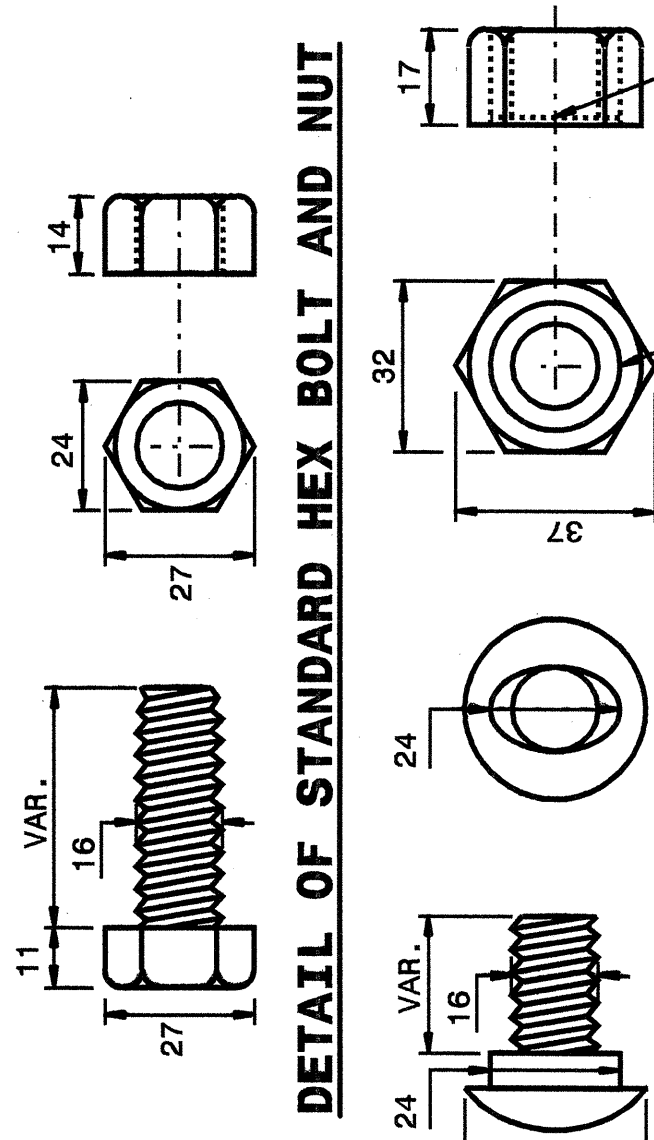
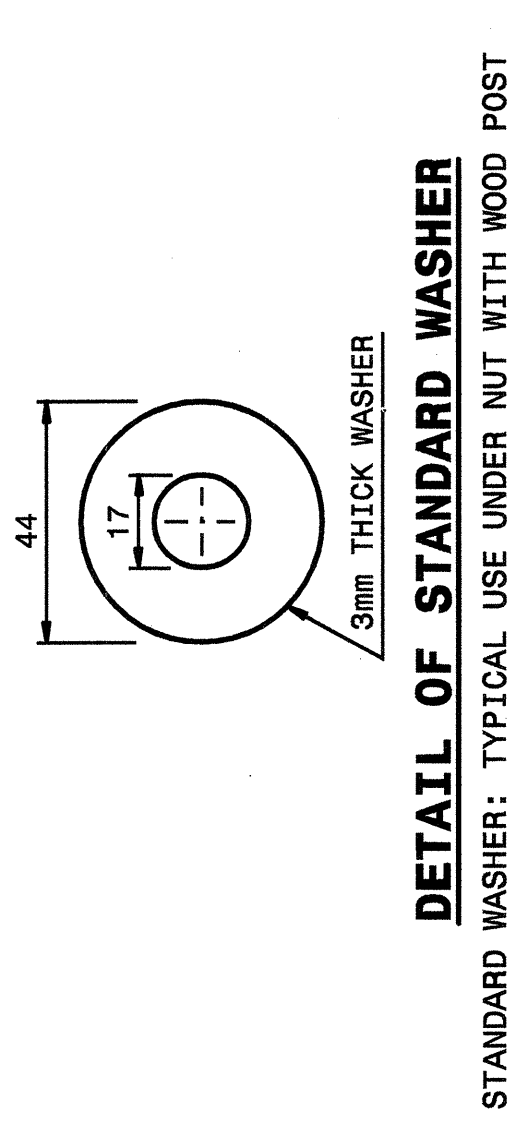
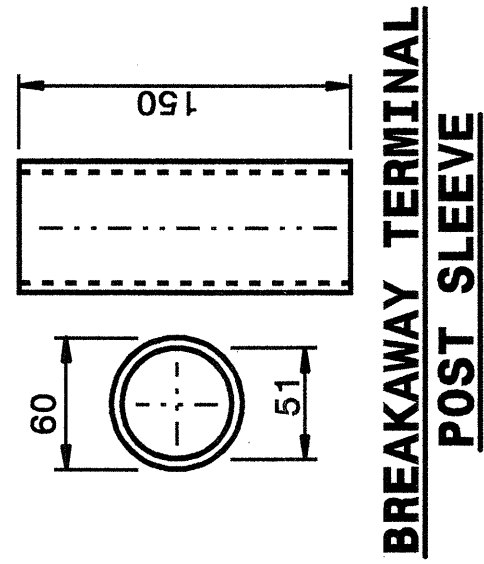


12-Jul-2004 15:07
 I:\projects\2004\stds\stds\02\stds to Special Details\metric\86202\0862d02m.dgn
 erichard 01 05212260

STATE OF
NORTH CAROLINA
DEPT. OF TRANSPORTATION
DIVISION OF HIGHWAYS
RALEIGH, N.C.

METRIC DETAIL DRAWING FOR
GUARDRAIL INSTALLATION

SHEET 5 OF 7
862D02

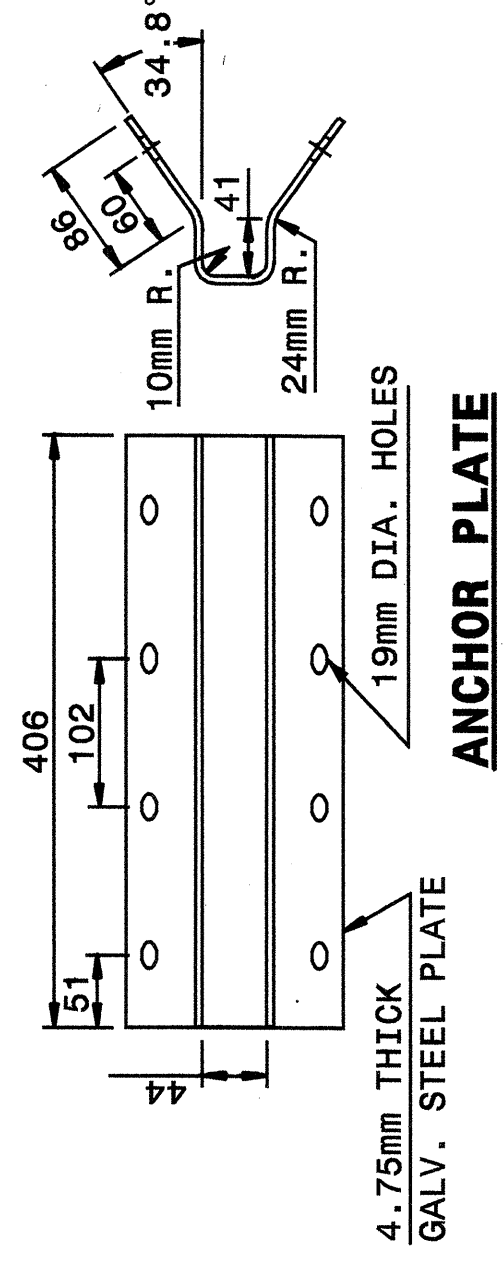
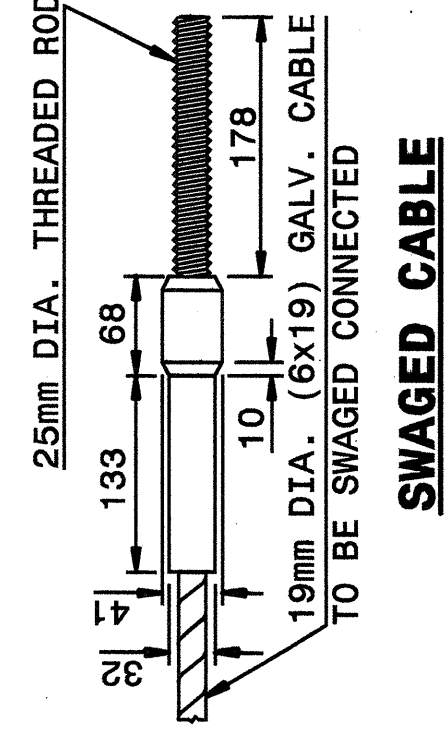
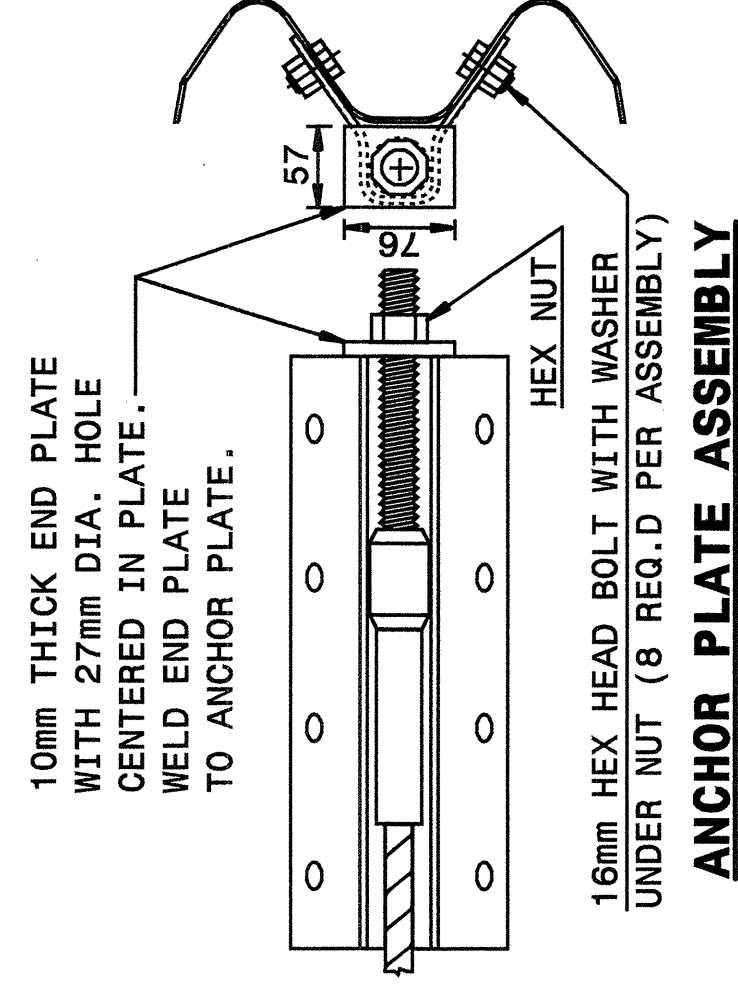


Note:
This drawing is dimensioned in
millimeters unless otherwise
depicted within the drawing.

STATE OF
NORTH CAROLINA
DEPT. OF TRANSPORTATION
DIVISION OF HIGHWAYS
RALEIGH, N.C.

METRIC DETAIL DRAWING FOR
GUARDRAIL INSTALLATION

SHEET 5 OF 7
862D02

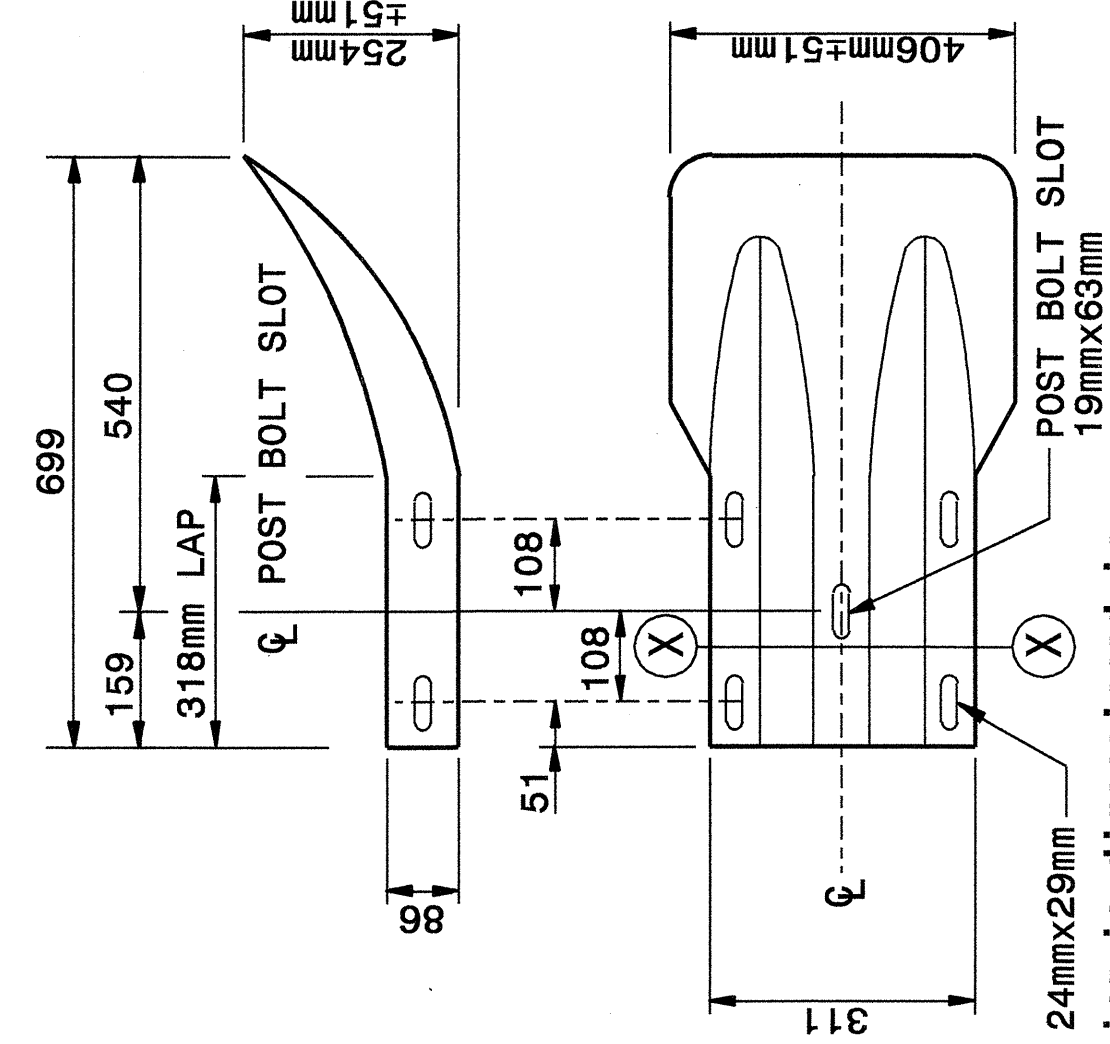
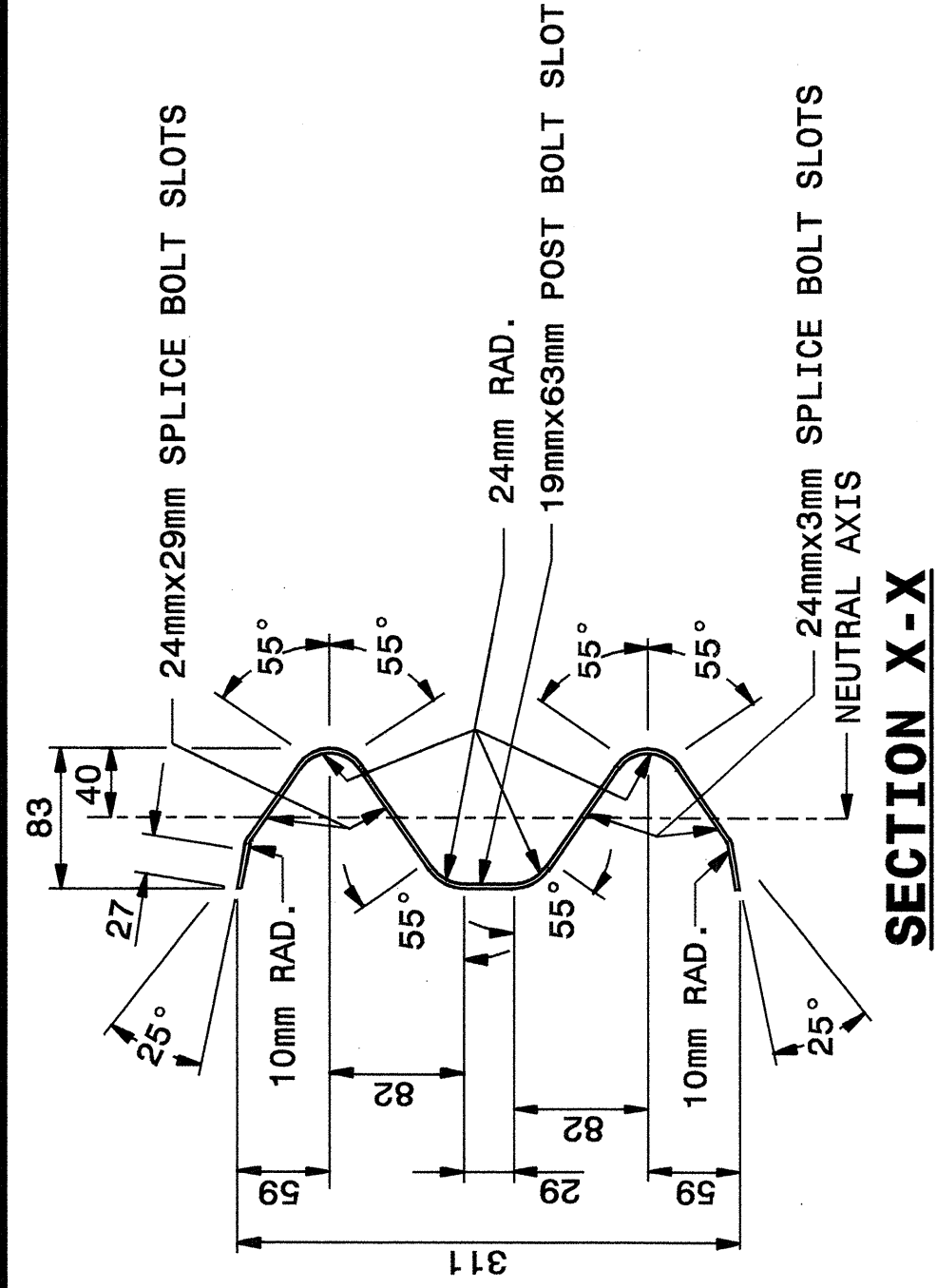


SYSTEM PARTS

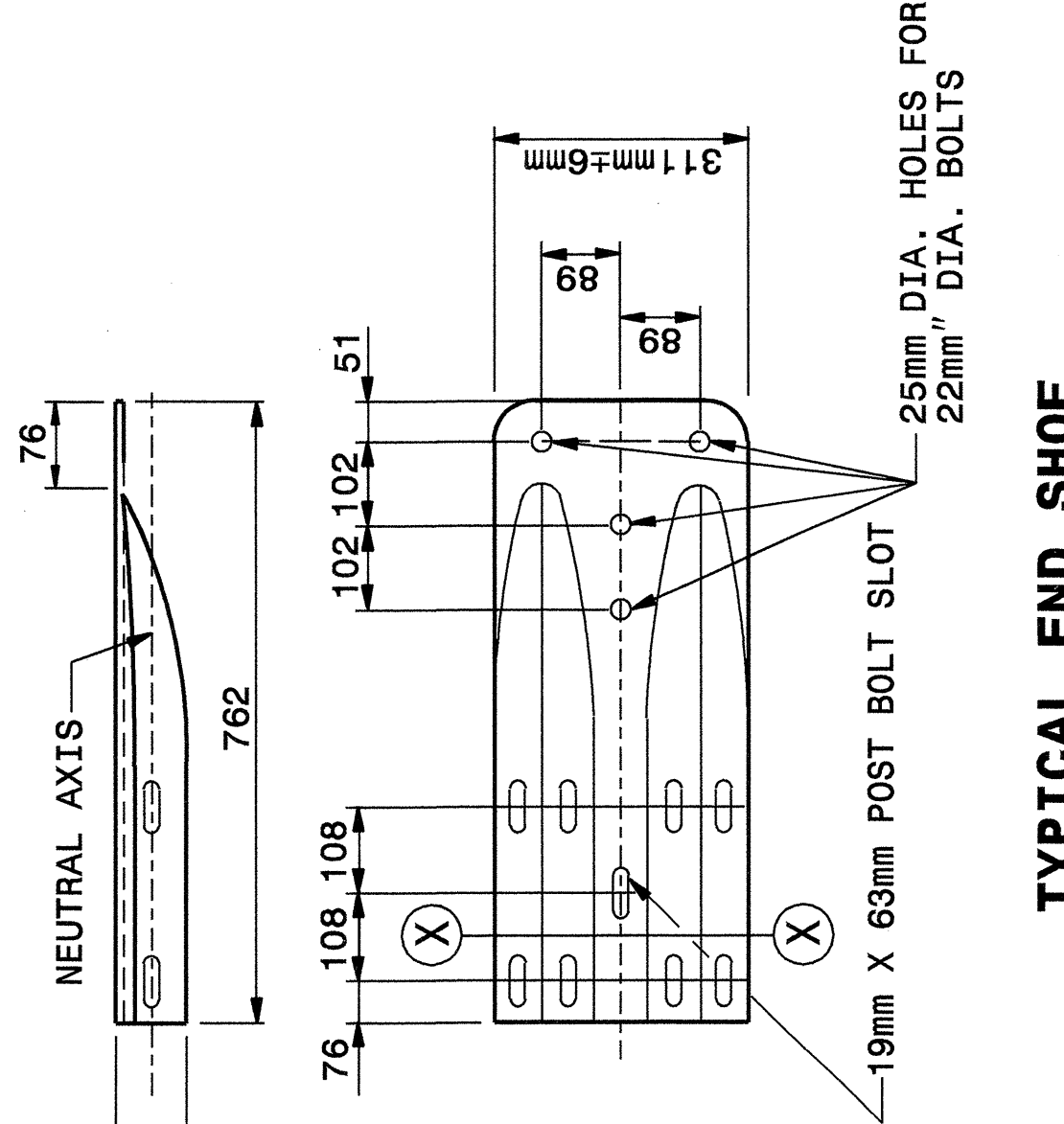
STATE OF
NORTH CAROLINA
DEPT. OF TRANSPORTATION
DIVISION OF HIGHWAYS
RALEIGH, N.C.

METRIC DETAIL DRAWING FOR
GUARDRAIL INSTALLATION

SHEET 6 OF 7
862D02



Note:
This drawing is dimensioned in
millimeters unless otherwise
depicted within the drawing.



SYSTEM PARTS - GENERAL USE

DESIGN SERVICES UNIT
STANDARDS AND SPECIAL DESIGN
Office 919-250-4128 FAX 919-250-4119

SEE PLATE FOR TITLE

ORIGINAL BY: 2002 STD.862.02 DATE:
MODIFIED BY: E.E. WARD DATE: 02-09-03
CHECKED BY: [Signature] DATE: 7/13/04
FILE SPEC.: I:\stds\02todetail\metric\86202\862d02m.dgn

