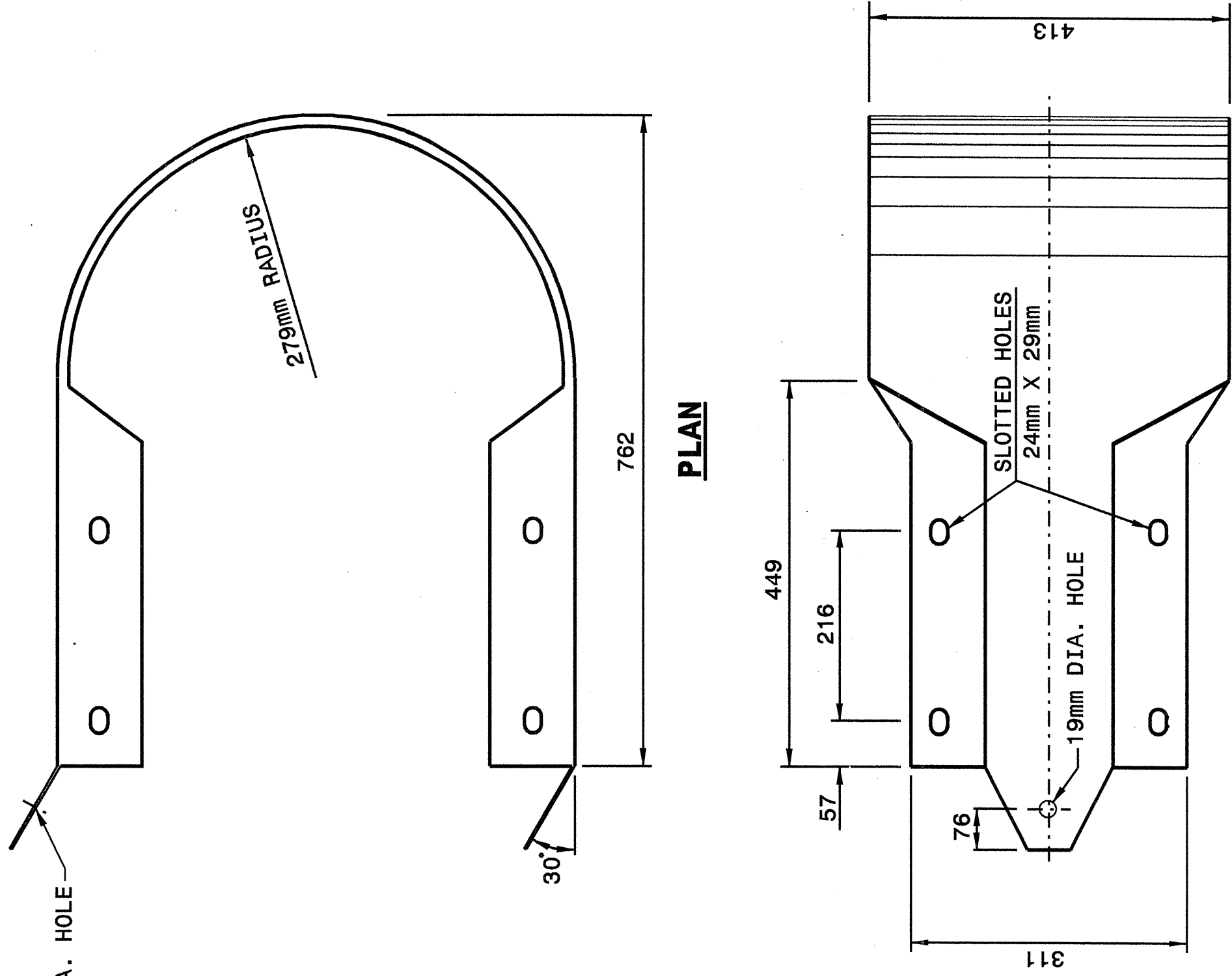




STATE OF NORTH CAROLINA DEPT. OF TRANSPORTATION DIVISION OF HIGHWAYS RALEIGH, N.C.

METRIC DETAIL DRAWING FOR GUARDRAIL INSTALLATION

SHEET 7 OF 7  
862D02



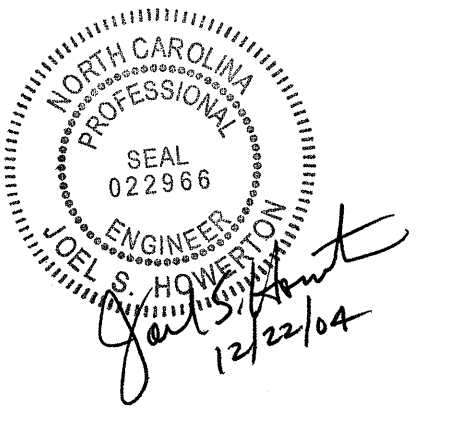
**ELEVATION**  
**BUFFERED END SECTION**

Note:  
This drawing is dimensioned in millimeters unless otherwise depicted within the drawing.

STATE OF NORTH CAROLINA DEPT. OF TRANSPORTATION DIVISION OF HIGHWAYS RALEIGH, N.C.

METRIC DETAIL DRAWING FOR GUARDRAIL INSTALLATION

SHEET 7 OF 7  
862D02



**DESIGN SERVICES UNIT**  
STANDARDS AND SPECIAL DESIGN  
Office 919-250-4128 FAX 919-250-4119

**SEE PLATE FOR TITLE**

ORIGINAL BY: 2002 STD.862.02 DATE: \_\_\_\_\_  
 MODIFIED BY: E.E. WARD DATE: 02-09-03  
 CHECKED BY: *Joel S. Howerton* DATE: 7/13/04  
 FILE SPEC.: /usr/stds/02todetail/metric/86202/862d02m.dgn

C:\JUL-2004\1507\1507\stds\er\er-d\stds\02\stds to Special Details\metric\86202\0862d02m.dgn  
 ericward AT 05212256